



Outlaw & Outlaw Extreme MODELS



©2012 3-12

ZERO-TURN MOWER OWNER'S, SERVICE & PARTS MANUAL

For additional information, please see us at
www.badboymowers.com

Bad Boy, Inc.
102 Industrial Drive
Batesville, Arkansas 72501
(870) 698-0090

TABLE OF CONTENTS

Basic Information.....	Section 1 (pages 4–5)
Bad Boy Safety Guidelines	Section 2 (pages 5–6)
Operation	Section 3 (pages 6–7)
Maintenance	Section 4 (page 7)
Storage and Transportation	Section 5 (page 8)
Troubleshooting and FAQ.....	Section 6 (pages 8–9)
Controls	Section 7 (page 9)
Moving Inoperable Mower	Section 8 (page 10)
Instrumentation	Section 9 (page 10)
Mower Blade Maintenance.....	Section 10 (page 11)
Greasing Bearings.....	Section 11 (pages 11)
How to choose the right blade	Page 12
Mowing Tips	Page 21

SERVICE SECTION BEGINS ON PAGE 13
PARTS SECTION BEGINS ON PAGE 22
LIMITED WARRANTY PAGE 50



This manual applies to the following equipment:

Bad Boy Outlaw & Outlaw Extreme Series

Outlaw 5400 54" 30hp Briggs Commercial
 Outlaw 6100 61" 30hp Briggs Commercial
 Outlaw 5400 54" 30hp Kohler
 Outlaw 6100 61" 30hp Kohler

Outlaw Extreme 5400 54" 29hp Kohler EFI
 Outlaw Extreme 6100 61" 29hp Kohler EFI
 Outlaw Extreme 5400 54" 852cc Kawasaki
 Outlaw Extreme 6100 61" 852cc Kawasaki
 Outlaw Extreme 7200 72" 852cc Kawasaki
 Outlaw Extreme 6100 61" 36hp Vanguard
 Outlaw Extreme 7200 72" 36hp Vanguard

COMMONLY USED ITEMS AND PART NUMBERS

72" Blade	Hi-Lift Fusion 038-7230-00	Gator Blade 038-5400-00	Wave Blade 038-7215-00
61" Blade	Hi-Lift Fusion 038-6080-00	Gator Blade 038-6081-00	Wave Blade 038-6090-00
54" Blade	Hi-Lift Fusion 038-0001-00	Gator Blade 038-0003-00	Wave Blade 038-5220-00
Deck Belt	72" 041-0202-00	61" 041-0178-00	54" 041-1650-00
Pump Belt	041-5048-00		
Vanguard 36hp	Oil Filter 063-8018-00	Air Filter Inner 063-8020-00	Air Filter Outer 063-8019-00
Kawasaki 852cc	Oil Filter 063-8017-00	Air Filter Inner 063-8020-00	Air Filter Outer 063-8019-00
Briggs 30hp	Oil Filter 063-8018-00	Air Filter 063-3003-00	
Kohler 30hp	Oil Filter 063-5400-00	Air Filter Inner 063-8020-00	Air Filter Outer 063-8019-00
Kohler 29hp EFI	Oil Filter 063-5400-00	Air Filter Inner 063-8020-00	Air Filter Outer 063-8019-00
Motor Oil	10w30 (2 quarts)		
Hydro Oil	20w50 (8 quarts)		
5400 Hydro Filters	063-1060-00		

SECTION 1: BASIC INFORMATION

Congratulations on the purchase of your new Bad Boy Mower! The purpose of this manual is to assist operators in maintaining and operating their machine. The information and instructions in this manual can help you attain years of performance from your new Bad Boy. Also, check out our website to learn more about the Bad Boy family.

- 1.1 All Bad Boy engines use 10W30 engine oil. Conventional or Synthetic may be used.
- 1.2 All Bad Boy hydraulic systems use 20W50 engine oil. Conventional or Synthetic may be used.
- 1.3 All Bad Boy Mowers use hi-temp multi-purpose grease. NLGI No. 2 for the grease fittings.
- 1.4 Outlaw models have 12 psi in front and rear tires have 8-10 psi.
- 1.5 Most Briggs, Kohler, Kawasaki, and Vanguard engines hold two (2) quarts of motor oil.

Warranty Registration

The Warranty Registration form must be completed and signed to validate your warranty. As the new equipment owner, you are expected to see that the form is completed and forwarded to Bad Boy, Inc., at time of delivery. Warranty is non transferable.

Model/Serial Number

Your Outlaw model serial numbers are found on the SIN plate underneath seat. The serial numbers are necessary on the warranty registration form. Also, these numbers can assist you in the ordering of new parts when replacements become necessary.

Parts/Service

Only Bad Boy replacement parts are to be used on your mower.

Replacement parts are available through your local Bad Boy Mower Dealer. Remember to always provide the following information when ordering parts:

1. Correct part number
2. Correct serial number

All warranty repair and service must be handled through your authorized Bad Boy Mowers dealer.

To locate the nearest dealer, go to our website and click on Locate a Dealer.



SECTION 2: MOWER SAFETY GUIDELINES

Never allow untrained people to operate this machine. It is the owner's responsibility to get training and see to it that anyone who has permission to use your machine receives the proper training.

Do not mow around people. The factory discharge chute is designed to deflect debris downward, but it could be possible for debris to be thrown in a way that can cause damage to people or property.

Seek additional training when possible to learn more about safety techniques and practices.

SAFETY PRECAUTIONS

- 2.2 Always remain seated while operating machine.
- 2.3 Always maintain a safe distance from people and pets while mowing.
- 2.4 Always disengage blades, place steering controls in neutral, engage parking brake, and remove ignition key when leaving operators seat.
- 2.5 Always operate machine in daylight or with adequate working lights.
- 2.6 Be alert of surroundings. Watch for rocks, stumps, and mounds or depressions while mowing.
- 2.7 Always wear eye protection while mowing and servicing.
- 2.8 Always wear ear protection, such as earplugs, while mowing.
- 2.9 If you strike something with the mower turn the blades and mower off, engage the parking brake, and inspect the machine for damage before resuming.
- 2.10 Be aware of low hanging limbs or objects that could potentially be hazardous while mowing.
- 2.11 Never operate a poorly maintained machine.
- 2.12 Never carry passengers.
- 2.13 Always buckle seat belt, if provided one.
- 2.14 Never attempt high speed maneuvering, especially around people or property.
- 2.15 Never put hands or feet under the machine while ignition is on.
- 2.16 Never refuel machine when engine is running.
- 2.17 Never leave key in ignition, especially around children.
- 2.18 Never run engine in enclosed area.
- 2.19 Do not touch hot parts of machine.
- 2.20 Do not remove deck wheels.
- 2.21 Conditions that can affect traction resulting in the loss of control of machine: Wet terrain, Hills or extreme angles, Depressions in the ground, Mounds of dirt, Extremely dry grass, Soil type (gravel, sand, clay), Tire pressure
- 2.22 Be aware of what is located at the bottom of slopes. For example, Rocks, Water, Cliffs, Roads and Highways

2.23 Safety warning decals are located on the mower and should always be observed and followed.

- 2.24 Never operate the mower with the discharge chute open.
- 2.25 Prevent Fires—Remove grass and debris from engine compartment and muffler area, before and after operating machine, especially after mowing or mulching in dry conditions.
- 2.26 Do not store machine near open flame or source of ignition, such as a water heater or furnace.
- 2.27 Do not attempt to mount a tire without the proper equipment and experience to perform the job.
- 2.28 Always maintain the correct tire pressure. Do not inflate the tires above the recommended pressure. Never weld or heat a wheel and tire assembly. The heat can cause an increase in air pressure resulting in a tire explosion. Welding can structurally weaken or deform the wheel.
- 2.29 Never operate machine in a closed area where dangerous carbon monoxide fumes can collect.
- 2.30 Let engine cool before storing!!!
- 2.31 Hydraulic hoses and lines can fail due to physical damage, kinks, age, and exposure. Check hoses and lines regularly. Replace damaged hoses and lines.
- 2.32 Park machine on level ground. Never allow untrained personnel to service machine. Understand service procedure before doing work.

SECTION 3: MOWER OPERATION

Never operate the machine with faulty equipment. Always be alert of sudden changes in landscape, as the mower will react differently on slopes or embankments than it will on flat surfaces. Never operate the mower with the discharge chute open. Do not cross terrain, other than grass, with blades turning. This could cause damage to property or bystanders.

- 3.1 Place parking brake in up position
- 3.2 Drive arms must be in the “open” position. While sitting on the machine, each arm is positioned away from the operator, to the right and left. Drive arms will lock into place and must be in this position to start machine.
- 3.3 Put PTO switch in the OFF position.
- 3.4 If your machine has been equipped with a ROPS (Roll Over Protection System) then you must fasten seatbelt.
- 3.5 If machine has not been started recently, engage the choke.
- 3.6 Make sure nothing is under or around machine.
- 3.7 Place key in ignition and turn.
- 3.8 Once machine is started, disengage the choke.



- 3.9 Increase RPM by sliding the throttle to fast position, toward the rabbit.
- 3.10 Owners must become familiar with the controls before operating a zero-turn radius vehicle.
- 3.11 Start slowly and build your skill level. Have ample practice before using the machine at full capabilities.
- 3.12 Be comfortable with machine before engaging blades. Know what each component controls before using machine.
- 3.13 Your mower will perform differently on an incline /decline. Be cautious, slow down, and do not make any sudden jerking movements with control arms. The machine could lose traction on a decline or tip backwards on an incline.
- 3.14 Once you become comfortable with your Bad Boy Mower you will notice your overall mowing time will decrease.

Avoid operating your mower on side hills of over 5 degrees, inclines of over 10 degrees, and declines of over 15 degrees.

SECTION 4: MOWER MAINTENANCE

*****Check each and provide maintenance when needed.***

DAILY

- 4.1 Check Engine Oil
- 4.2 Check Engine Air Filter
- 4.3 Tire Pressure
- 4.4 Inspect Blades

Within FIRST five hours of usage, change engine oil and filter

EVERY 30 HOURS OF USAGE

- 4.5 Grease Machine

EVERY 50 HOURS OF USAGE

- 4.6 Change Engine Oil and Filters

Check filters once a year if under 50 hours

Check air and fuel filters more often in dry, dusty conditions

EVERY 400 HOURS OF USAGE

- 4.7 Change Hydraulic Fluid and Filters

Within FIRST 100 hours of usage, change hydraulic oil and filters

- 4.8 Refer to manufacturer manual for specific information on maintenance schedules.

SECTION 5: MOWER STORAGE & TRANSPORTATION

- 5.1 Keep machine from collecting debris by storing in a covered area while not in use.
- 5.2 Fuel can harm your machine if left for more than 30 days without changing, especially if the fuel contains ethanol. Never use fuel with more than 10% ethanol by volume. E-15 is not permitted.
- 5.3 Disconnect the negative battery cable when machine will be stored for more than 30 days.
- 5.4 Always secure machine properly when transporting machine.
- 5.5 Do not load machine on trailer with blades engaged.
- 5.6 Do not use ramps to load the machine.
- 5.7 Make sure Parking Brake is in “up” position.
- 5.8 In wet conditions tires may spin while loading / unloading. If necessary, wait for dry conditions before loading / unloading.
- 5.9 Make sure mode of transportation is suitable to bear the weight of mower.
- 5.10 Deck height should be set at maximum before attempting to load.
- 5.11 Secure mower with at least two straps capable of securing weight of mower.

SECTION 6: TROUBLESHOOTING

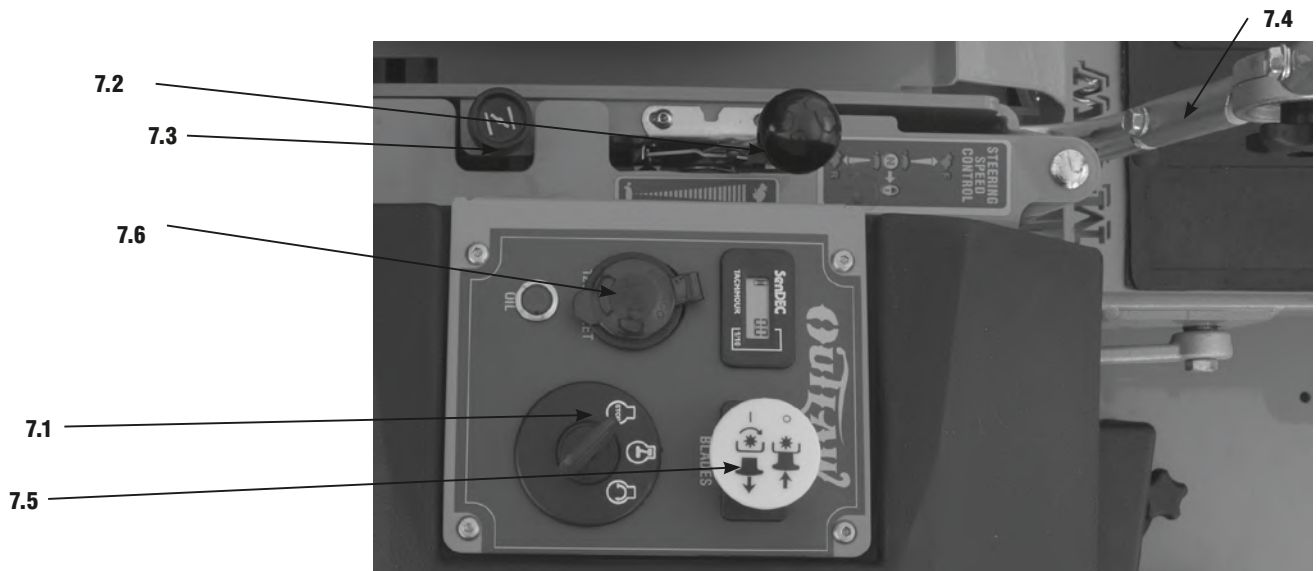
- 6.1 **Q: *How do I prevent an uneven cutting pattern and increase the quality of cut?***
- 6.1 **A:** Check tire pressure, check blade sharpness (replace blades or sharpen at least once per year or when needed), make sure blades are tightened properly, check spring and belt tension, check the underside of the deck to ensure the mower deck is free of grass build-up and debris, make sure your machine is at full throttle, and vary your mowing pattern each time you cut your grass.
- 6.2 **Q: *What should I do if my mower won't start?***
- 6.2 **A:** Check battery charge and connection (grounds), check your fuel (make sure fuel is less than 30 days old and contains no water), make sure your spark plug is in good condition and spark plug wire is attached, and make sure air filter is clean (a dirty filter makes it more difficult for the engine to draw air). Check for broken wires or bad connections.
- 6.3 **Q: *What should I do if the blades won't engage?***
- 6.3 **A:** Make sure the safety switch is plugged in on the bottom of seat. Check the underside of the PTO engager to ensure the plug is secure at switch.
- 6.4 **Q: *What type of fuel is recommended for my mower?***
- 6.4 **A:** We recommend that you use a name brand fuel to ensure quality. Use fuel with an octane rating near 87. Higher octane fuels offer no benefit. Only fuels with an ethanol content of 10% or less may be used. E-15 is not permitted.



- 6.5 **Q: Do you offer touch-up paint for your mowers?**
6.5 **A:** Touch-up paint is available. Contact your local dealer for more information.
- 6.6 **Q: How durable is the electric deck lift?**
6.6 **A:** The actuator which controls the deck height is designed for moving loads of up to 1000 pounds and has a static holding capability which exceeds 3,000 pounds. Our 1/4" deck weighs approximately 250 pounds which is only 25% of working capability.

SECTION 7: CONTROLS

- 7.1 **Ignition Switch**—Bad Boy Mowers have a three position ignition switch: off, run, and start. With key inserted, rotate it clockwise to START position and release key when engine starts, and switch will automatically return to the RUN position.
- 7.2 **Throttle Control**—A cable is connected to the engine throttle for controlling engine speed. Move lever forward to increase engine rpm, move lever backward to decrease engine rpm.
- 7.3 **Choke Control**—A cable is linked to manually operate the engine choke. When the lever is in the down position, the choke is in the off (run) position. When the lever is pulled up, the choke is in the on (start) position. Do not operate the machine in the on (start) position. The choke lever is behind the throttle control.
- 7.4 **Control Levers**—These levers control the mower's speed, direction, and neutral lock. These levers are used to steer, accelerate, decelerate and change direction. (Drive Arms)
- 7.5 **Blade Engage Switch**—This switch engages the blades. Pull the switch up to engage the blades and push the switch down to disengage the blades.
- 7.6 **12V Charger**—Charge MP3 players or Phones while working.



SECTION 8: MOVING INOPERABLE MOWER

- 8.1 Do not tow machine. Use a winch to load on a trailer for transporting.
- 8.2 **ATTENTION:** RETURN BYPASS VALVES TO OPERATING POSITION BEFORE RUNNING MOWER FOLLOWING REPAIRS.
- 8.3 Outlaw Models are equipped with a by-pass lever located on each transaxle (view picture on page 13). This lever can be positioned to engage or disengage the transaxles.
- 8.4 Your Bad Boy Mower Weighs: **OUTLAW SERIES:** **1180—1310 lbs**
**** Weights fluctuate with the addition of accessories.*
- 8.5 As you can see by the weights of the machines, you shouldn't ever try to push or pull a Bad Boy Mower by hand. This could cause serious bodily injury.
- 8.6 Hopefully, you'll never need to use this section of the manual. However, if you do, use extreme caution when moving machine!

SECTION 9: INSTRUMENTATION

- 9.1 **Electronic Hour Meter**—Registers Hour increments up to 9,999.9 total hours. This meter records the cumulative time the engine is running.



SECTION 10: MOWER BLADE MAINTENANCE

- 10.1 Check mower blades after each use. This is essential for maintaining well-groomed turf. Keep the blades sharp. If a dull blade is used for cutting, the grass will tear rather than cut. This could damage the grass leaving a brown frayed top on the grass within a few hours. A dull blade will also require more power from the engine.
- 10.2 NEVER attempt to straighten a bent blade by heating. NEVER attempt to weld a cracked blade. The blades can break and cause serious injury or death.
- 10.3 NEVER work with blades while engine is running or deck clutch is engaged.
- 10.4 ALWAYS place deck clutch in DISENGAGE position while performing maintenance.
- 10.5 Use blocks when you MUST work under mower.
- 10.6 ALWAYS wear thick gloves when handling blades.
- 10.7 ALWAYS check for blade damage if mower strikes rock, branch, or other objects that could potentially damage the blade. **(REMEMBER: NEVER CHECK BLADE WHILE ENGINE IS ON! NEVER CHECK BLADES WHILE BLADES ARE ENGAGED!)**

SECTION 11: GREASING THE BEARINGS

- 11.1 Park the machine on a level surface and disengage the blade control switch.
- 11.2 Move the motion control levers outward to the neutral position, engage parking brake, stop the engine, remove the key, and wait for all moving parts to stop before leaving the operating position.
- 11.3 Grease Type: NLGI grade #2 multi-purpose gun grease. Grease the front cater pivots.
- 11.4 Clean the grease fittings with a cloth. Scrape any paint off the front of the fitting(s).
- 11.5 Connect a grease gun to each fitting. Pump grease in fittings until greases begins to seep out of the bearings. Wipe up excess grease.
- 11.6 Refer to service manual section for grease fitting locations.

HOW TO CHOOSE THE RIGHT BLADE

Essentially there are only TWO basic styles of mowing blades used or approved for use on our current products:

- 1) The standard style of mowing blade is essentially designed for cutting grass and effectively discharging the clippings out from the deck to fall onto the lawn or to be captured in a grass collection system. Standard blades are also referred to as “2-in-1” (discharging & bagging) or “high-lift” blades (because they are designed to create a higher-lifting airflow).
- 2) Mulching blades generally have a more curved style surface and frequently include extra cutting surfaces along the blade edges. These blades may also come in a “+” design (which is actually two individual blades arranged in a perpendicular fashion to enhance mulching). The “+” blades are usually found on older style mowers; newer ones utilize blades with more advanced mulching technology. Mulching blades may also be referred to as “3-in-1” (mulching, discharging & bagging) or “all-purpose” blades.

Bear in mind that the re-circulating airflow design of 3/1 blades makes them less efficient at discharging grass clippings than a standard 2/1 blade. As with most all-purpose tools, there is some give and take as opposed to using a tool designed for a more specific purpose.

If you're experiencing less-than-desired cutting or discharging performance with a 3/1 blade, you may want to check into using a 2/1 blade. Conversely, if you're using a 2/1 blade and want to mulch clippings, you should see about the availability of mulching blades or a mulching kit.*

The type of blade installed on a new mower is a decision the retailer makes for each model of mower, based on the expected needs of most customers. If you're unsure of which blade is on a particular model, inspect the blade. Blades have part numbers stamped into them. Then compare these part numbers with the unit's Operator's Manual or Parts List.

It is true there are many other styles of blades available. But since we don't manufacture or recommend using these other aftermarket styles, we will leave them out of this discussion. Should you want more information on special application or aftermarket blades, you should contact the companies that make these products. NOTE: Customers using non-OEM blades do so at their own risk. The use of unapproved (non-OEM) blades may void any or all of the mower and engine factory warranties.

* **MULCHING KITS** – These generally consist of mulching blades and a mulching plug (which closes off the discharge opening to keep the clippings contained under the deck for re-cutting) plus any necessary hardware for installation. Please check with your parts distributor regarding the contents of a particular mulching kit.



SERVICE SECTION

SECTION 1: HYDROSTATIC SYSTEM

The hydro overflow tank on the Outlaw model is located on each side of rear cover. Notice the “full cold” line at the bottom of the tank. Use only 20w50 motor oil in this tank. Conventional or synthetic oil may be used.



To change filter started by removing cover. The filter also serves as the oil drain. Each transaxle holds about 4 quarts of hydro oil. Reinstall new filters use only Hydro-gear brand filter. Using other brands could void the warranty. Transaxle service is recommended after the first 100 hours and then every 400 hours.



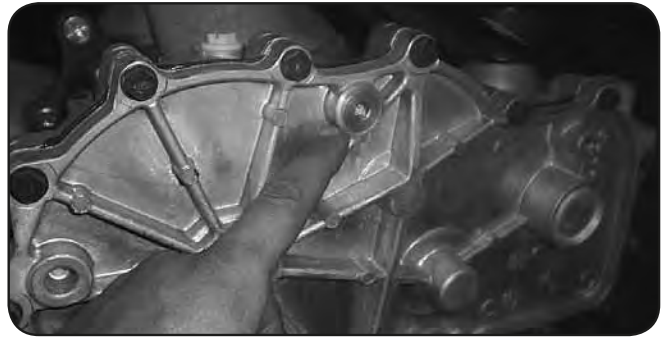
Shown right is the 5400 Outlaw transaxle. The large cap on the lower left is the filter housing cap.



5400 filter housing cap. (do not over tighten)



The check plug is located at the top center of the inside case of each transaxle (outlaw transaxles have this plug on the top). The transaxle can be filled with oil by removing these check plugs from both transaxles and pouring the oil in the hydro overflow tank, located behind the seat. Oil will begin to run out of the check plug holes when the transaxles are full. Use only 20w50 motor oil in the hydro system.



Fill plug on top of Outlaw 5400

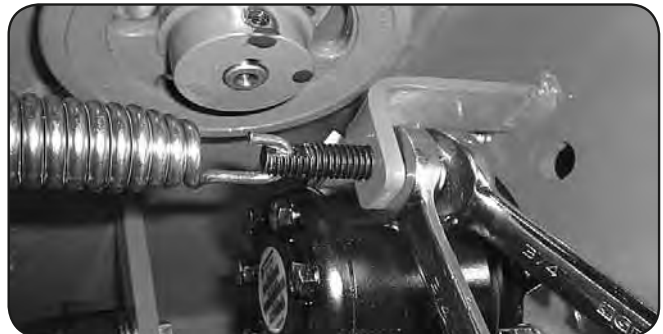


Once the system is filled with oil, lift rear of mower until rear tires are off the ground. Start engine, release parking brake, stay clear of moving rear tires. Next, pull the neutral bypass levers and move the drive arms forward and backward 4 to 6 times slowly. This relieves any air that may be trapped in the system. It may be necessary to add more oil to the hydro overflow tank after 10-15 minutes of running. These bypass levers also serve as a neutral for moving the mower without the engine running.

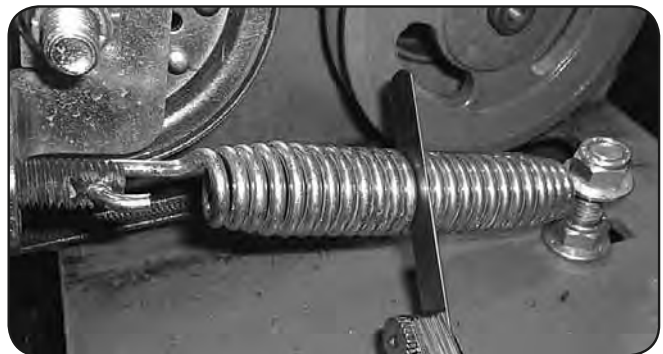


SECTION 2: DRIVE BELT

Shown on the right is a typical pump belt tensioner for your model mower.



Tightening the two $\frac{3}{4}$ " jam nuts on the right side will increase the belt tension on all models. Factory setting is about .030" (about the thickness of a credit card) between coils as shown.



SECTION 3: ENGINE

Most models have a drain hose installed on the engine, for easier oil changes. All gas engines used by Bad Boy use 10w30 and have an oil capacity of 2 quarts. Bad Boy recommends that the oil and filter be changed every 50 hours of usage.



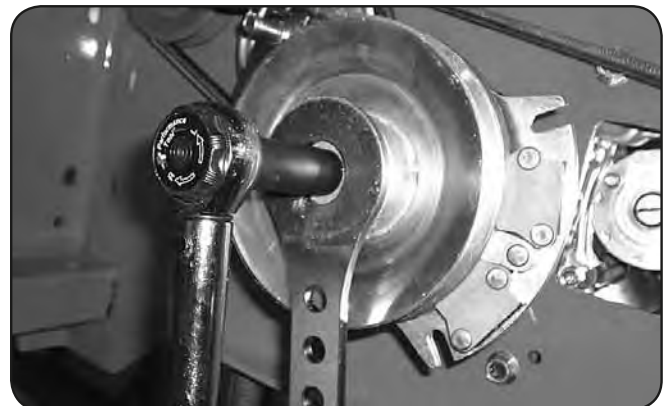
The fuel filter is located in the fuel line about 12" from the carburetor on the side of the engine. Note the direction of flow on the side of the filter. Replace once a year.



Remove and inspect air cleaner weekly. (More often in dusty conditions). Do not blow filter out with air pressure, this will cause the filter to be filled with tiny holes that will allow dirt to enter. Instead, tap filter on side to remove any debris. Replace at least once a year, more often in dusty conditions



Torque the clutch bolt to 50 ft. Lbs. on all models.
Re-torque at every oil change.
(All Models)

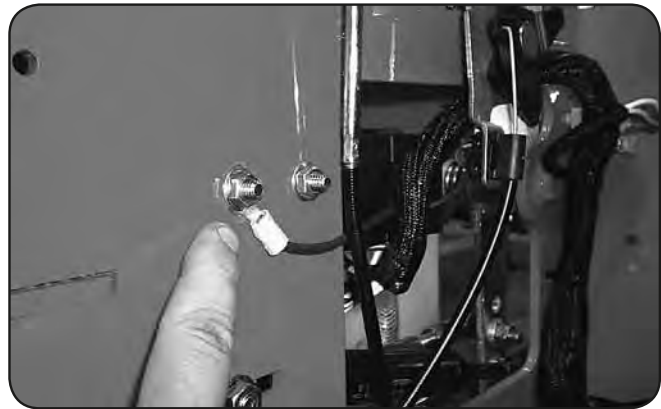


SECTION 4: ELECTRICAL SYSTEM

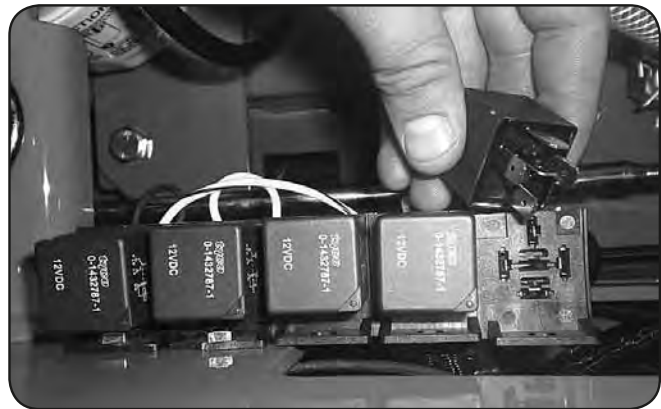
On most larger commercial engines (27 hp and up), the 25 amp main fuse is located about 3" from the starter on the engine. (shown in first image on right). On smaller commercial and light duty commercial mowers, the 25 amp main fuse is located just behind the battery connected to the starter solenoid. (Shown in second image on right).



Always check the condition of the wiring harness ground cable. The ground is located just inside of the right side fuel tank on most models. Ensure that the ground is connected, clean, and tight. On some models, this wire may be connected to the negative side of the battery.

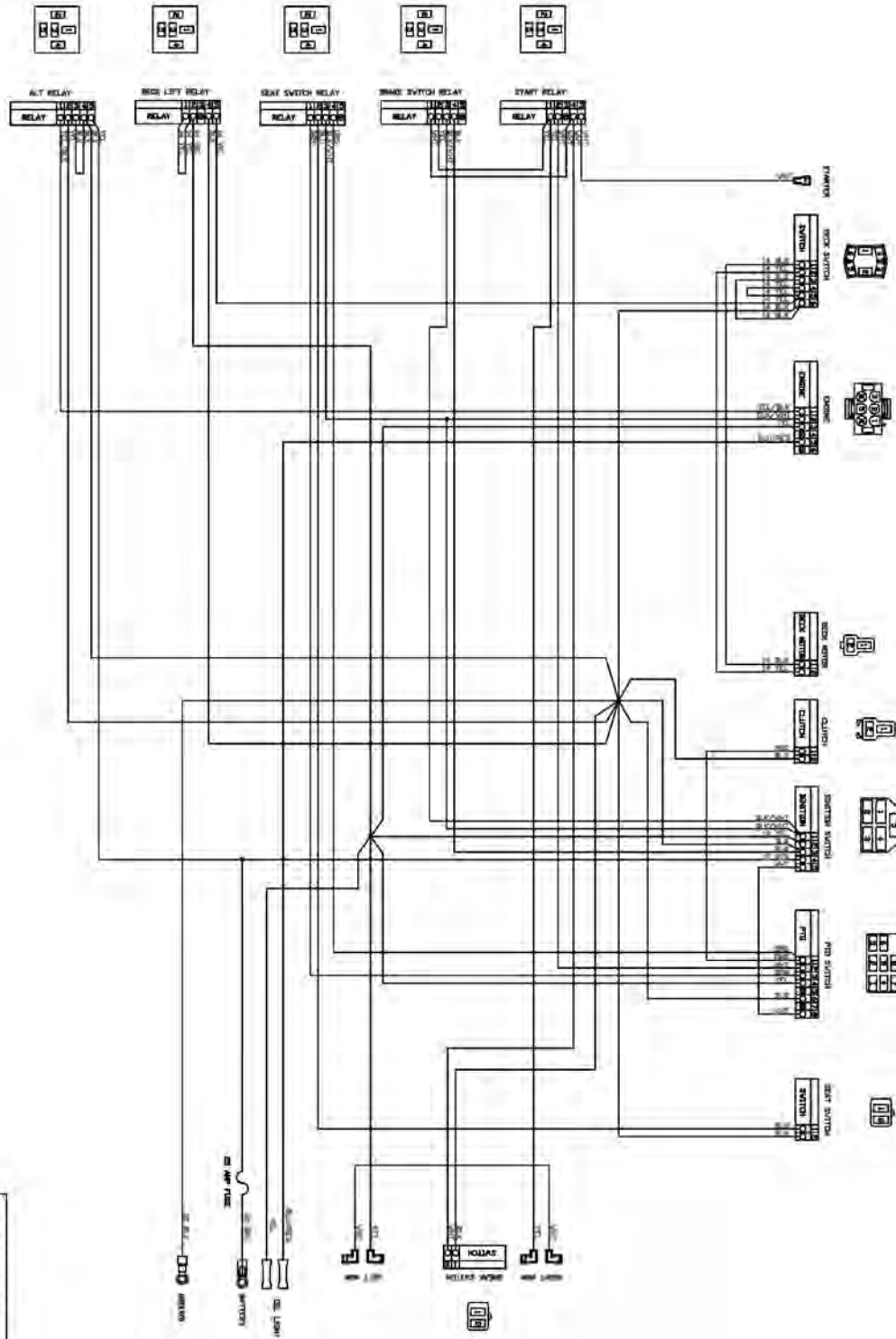


Check the condition and connection of the relays located under the seat. Ensure that they are clean and connected. Make sure that wire terminal ends have not been pushed out of the relay block.



On most models, the red wire coming out of the engine is the charging wire from the alternator. Check for 13.6—14.2 volts DC at this wire with engine at full throttle.





ALL WIRING SHALL BE TESTED BEFORE USE.

ELECTREX, INC. MIDLAND, KS	
CUSTOMER	BAO BOY
TRUCK P/N	996-255-90
W/VG TITLE	SCHEMATIC
DRW P/N	919999232401E
P.L. OF L.	REVISION B
DRAWN BY AME	DATE 3/28/05

THIS DRAWING AND THE INFORMATION CONTAINED HEREIN ARE THE PROPERTY OF ELECTREX, INC. AND MAY BE USED BY OTHERS ONLY AS AUTHORIZED BY THE ORIGINAL DRAWING.

SECTION 5: FRAME

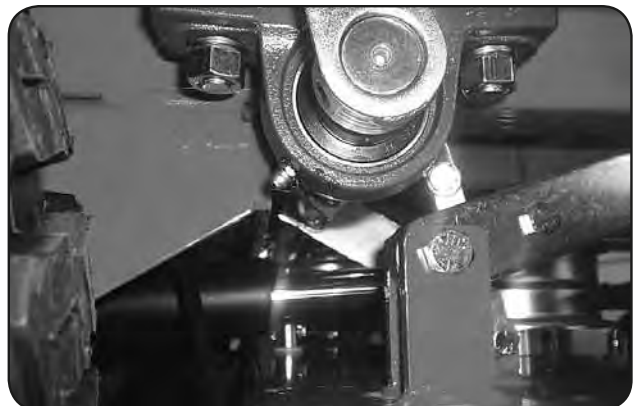
For non-suspension models, torque front fork castle nut to 40 ft.lbs. Be sure to spin the fork while torquing the nut to ensure that no bearing damage is done.

Be sure to reinstall the cotter pin into the castle nut. Always try to go tighter on the nut to find a castellation for the pin to fit in. Never back the bearing tension off after torquing the nut, this will “spring” the bearing cage.

Torque rear wheel lugs to 65-75 ft.lbs.
Re-torque at every oil change.

There is one grease fitting in each front wheel and one in each front caster bearing housing. Grease at every engine oil change.

There is one grease fitting on each of the actuator bar pillow blocks located under the fuel tanks. Grease twice a season.





The pump belt tensioner is located under the engine and has a grease fitting at its pivot point. Grease at every engine oil change.



The deck belt tensioner is located at the rear of the deck and has a grease fitting on its pivot point. Grease at every engine oil change.



The control arm blocks have grease fittings located on the top and bottom of each block. Grease one time a year.

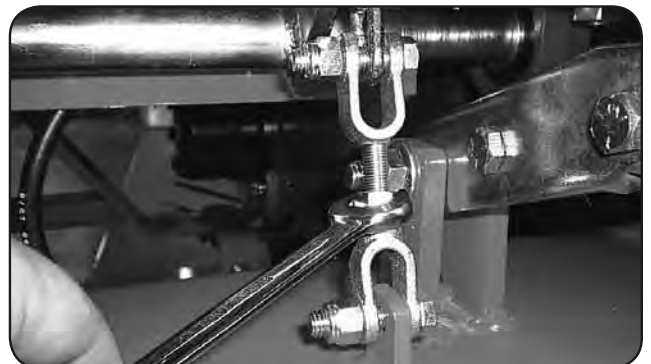
SECTION 6: CUTTING DECK

To remove the deck belt, lift up on the belt while rotating the pulley to roll the belt up and off of the pulley. (be sure not to get your fingers between belt and pulley).



To check the level of the deck, start on a flat surface and set the air pressure in all four tires. Raise the deck up, and measure all four corners of the deck to see if it is level from left to right and front to back. All decks should be level from left to right and have a 1/8" pitch down in the front.

If deck adjustments are necessary, start with the chain length adjusters. These adjusters affect the overall height of the deck and the level from left to right.



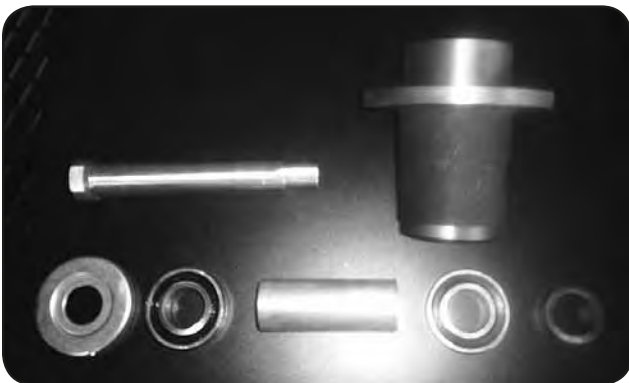
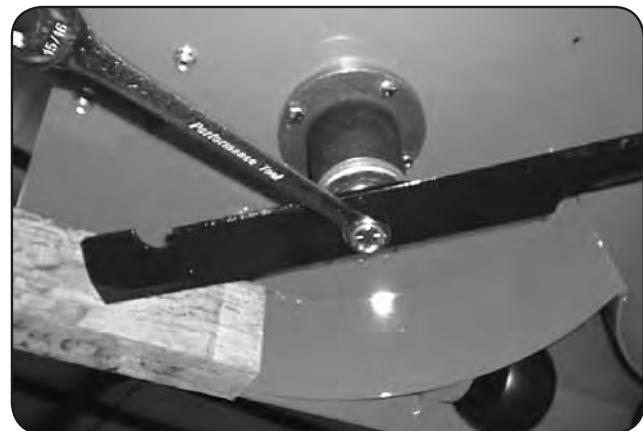
The deck spring tension is critical. If the tension is too much, it will cause the spring to break. If too loose, the belt can jump off or slip on the pulleys and cause a cut quality issue. With the deck up, the spring coil gap should be about .025" - .030" (about the thickness of a credit card). Spring tension adjustments can be made by sliding the bolt shown above forward or backward in the slot of the deck.



The condition of the blades can drastically affect the cut quality of the mower deck. Replace as necessary. These blades were used considerably too long. Resharpenering is recommended by professionals only to determine when the blade needs to be replaced and because of the need for rebalancing.



To change blades, it may be easier to use a piece of wood to keep the blade from turning so that the bolt can be loosened. Re-torque the blade bolts to 90-110 lbs. The blade spindles contain a sealed ball bearing in the top and bottom of the spindle. The bearings are replaceable for a more cost effective repair.





MOWING TIPS:

- Mow header strips at the ends of the lawn and around flower beds first. Make them wide enough that you can turn the mower around in the already mown section. Then mow back and forth between these header strips overlapping each lap by about 1/8 the width of the mower's deck.
- Don't cut your grass too short, particular for cool season grasses. Higher heights usually provide for a deeper root system, looks better, and is less likely to have weeds invading, particularly crabgrass.
- Don't remove any more than one third of the grass leaf at any one cutting. If circumstances arise that a lawn gets too tall and you just have to lop off a bunch to get caught up, bite the bullet and break it down into several mowings to get caught up with 3 or so days between cuttings.
- **NEVER SCALP YOUR LAWN.** Scalping severely damages the root system to such a degree that it may die.
- Avoid mowing when the grass is wet or when it's dark
- Avoid throwing grass clippings into the street and driveway where they can be washed into the sewer system. After mowing, clean up driveway and walkways.
- When mowing remove only a third with each cutting (except for the first mowing of the season when it's ok to remove more). You can safely leave clippings that will quickly decompose and add nutrients back into the soil. Contrary to popular opinion, grass clippings do not add to thatch buildup. Grass blades are made up of about 75% water.
- Mow your lawn in a different direction with each mowing, especially with lawns of shorter grass types. Altering the direction ensures a more even cut since grass blades will grow more erect and less likely to develop into a set pattern.
- Keep your mower's blade sharp, which means having it sharpened several times during the mowing season. Keep several blades around so you'll always have a sharp one on hand. Sharp blades cut the grass cleanly and help mulch clippings into small pieces which break down quickly.
- Don't forget to change your mower's oil at least once during the mowing season. For brand new mowers, change the oil after about 5 hours of operation during the initial break-in period.
- At the end of the mowing season use a fuel stabilizer in the remaining gasoline
- In the spring, don't use that old gas unless you properly used a fuel stabilizer, it can cause a number of problems. Better to use fresh gasoline to begin the new mowing season.
- **Leaf blade A** demonstrates what a leaf blade should look like after mowing with a sharp blade.
- **Leaf blade B** demonstrates a leaf blade that was injured by a dull mower blade.
- **Leaf blade C** was cut by the mower but indicates that the mower blade is not sharp enough. The shredded white tissue protruding from the leaf blades C and D is the vascular tissue of the plant.
- **Leaf blade D** has been mown for quite some time with a dull mower blade.



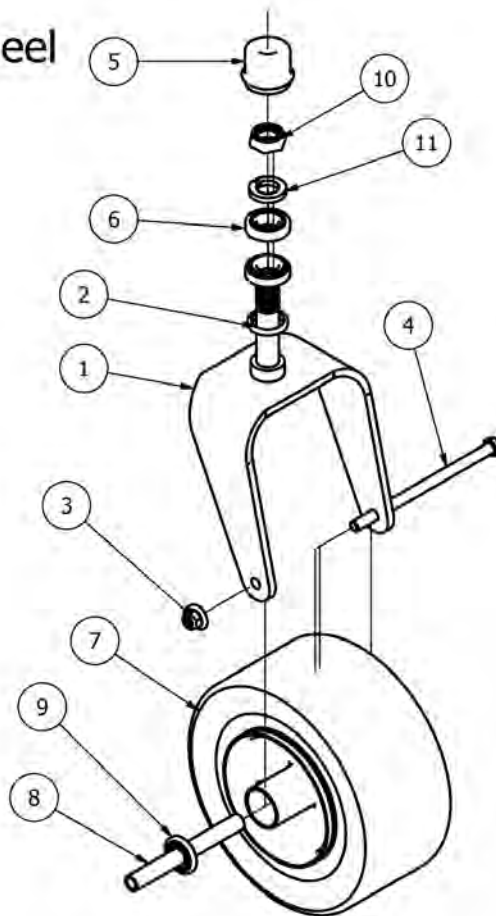
To bag or mulch?

Grass clippings do not contribute to thatch buildup or increase the chances of disease. If you mow your lawn at the right height, without removing any more than 1/3 of it's total height, clippings will quickly breakdown without a trace. These clippings contribute additional nitrogen and other nutrients to the soil and supply it with additional organic materials. Clippings from a 1000 sq. ft. lawn can add as much as 1 - 2 pounds of nitrogen back into the soil.

If you have a compost pile, then you may want to bag your clippings occasionally to add much needed green-matter to the compost pile. Make sure it is mixed thoroughly with brown matter to avoid a strong ammonia odor. **DO NOT COMPOST CLIPPINGS** after applying any weed control or weed-feed type product. Before adding clippings to the compost pile wait at least 3 mowings after these products have been applied.

PARTS SECTION

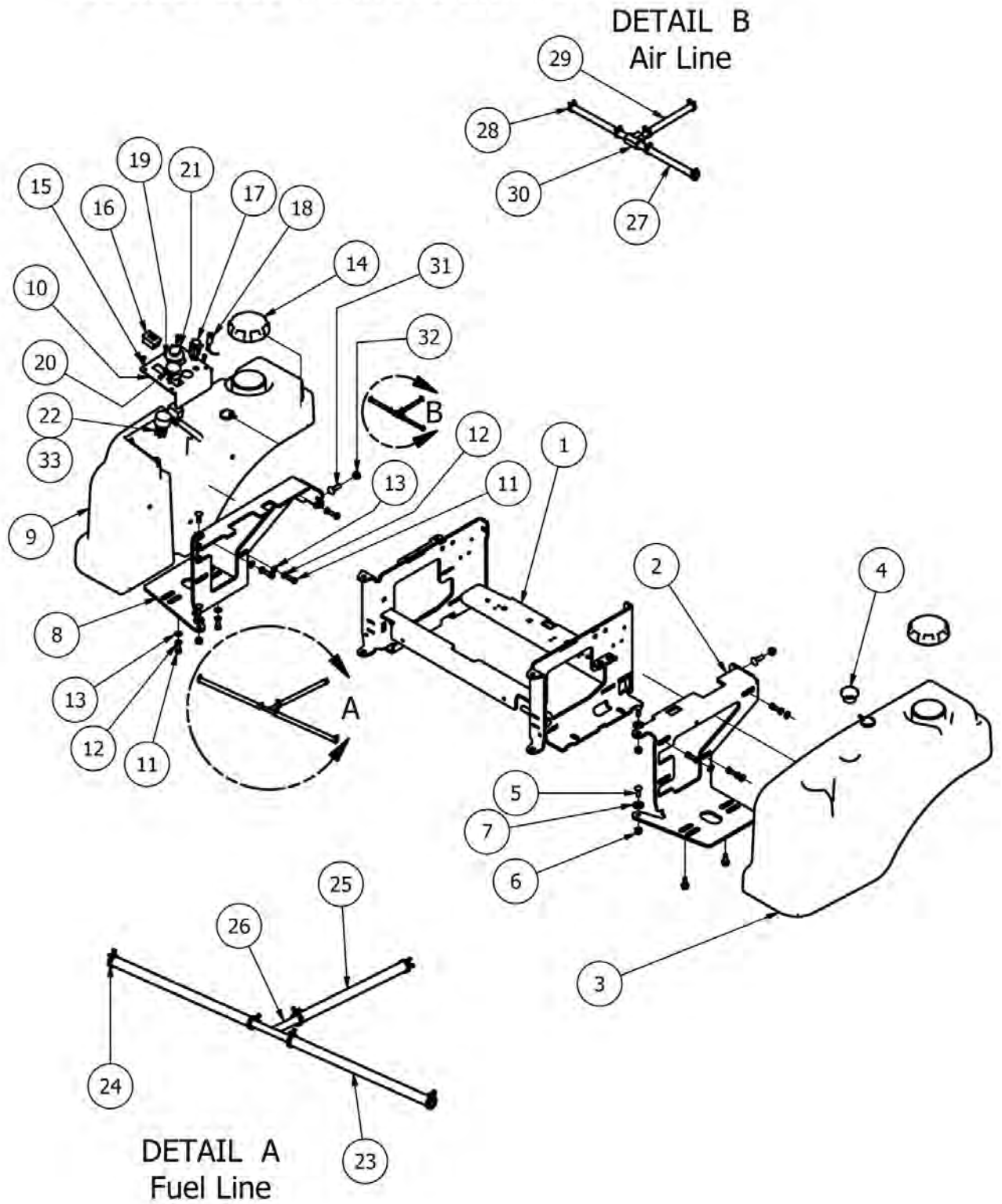
Outlaw Front Wheel



Outlaw Front Wheel			
ITEM	QTY	PART NUMBER	DESCRIPTION
1	1	023-7913-00	Front Fork
2	1	012-7003-00	Seal
3	1	013-8050-00	1/2-13 Nylon Flange Nut-Orange
4	1	018-7010-00	1/2" x 9" Bolt
5	1	014-7005-00	Dust Cover
6	2	010-7001-00	Bearing
7	1	022-3060-00	Tire and wheel assembly
8	1	025-5202-00	Front Wheel Spanner
9	2	022-7010-00	Wheel Bearing
10	1	013-9004-00	1" Fine Thread 1/2 Nut
11	1	019-3000-00	1" Lock Washer

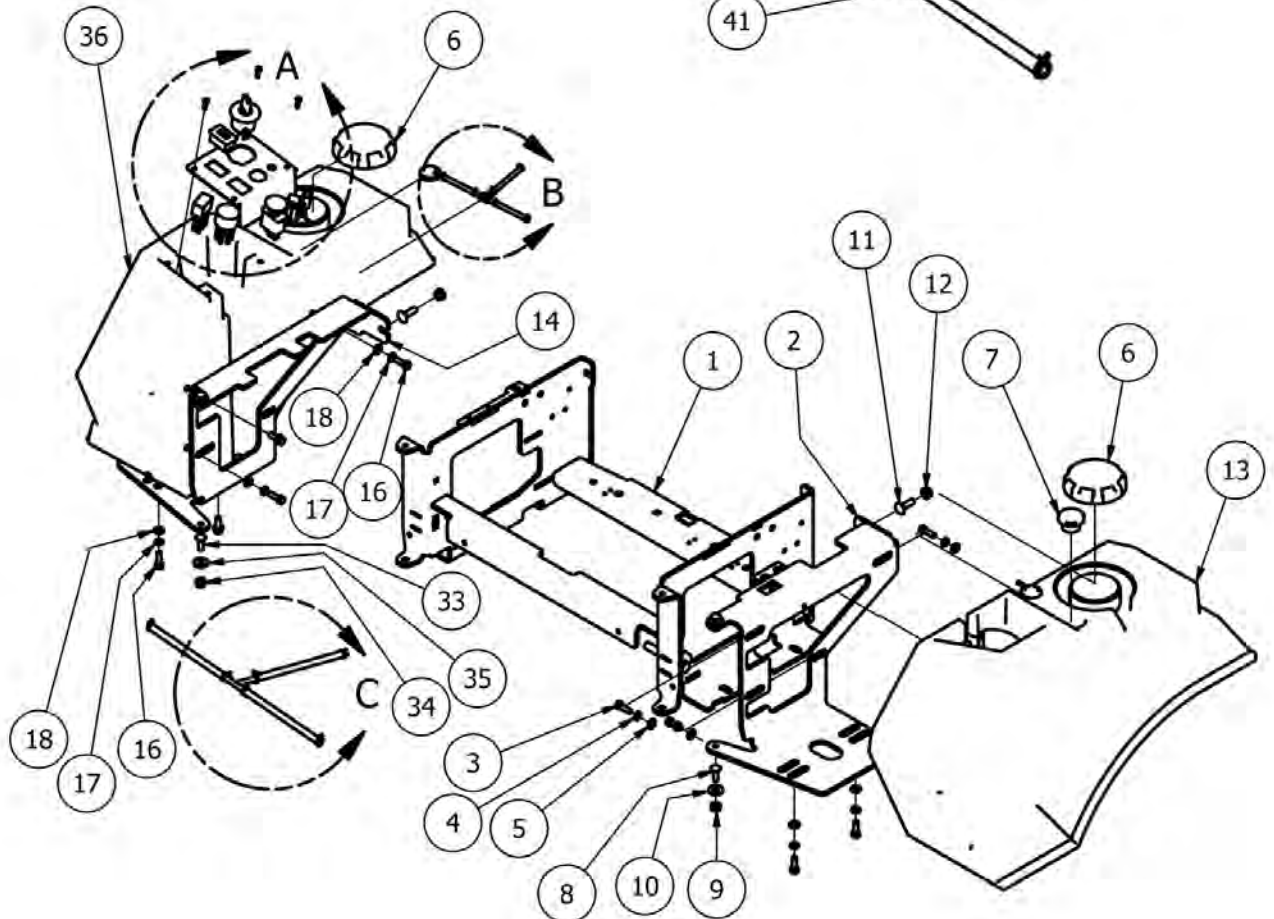
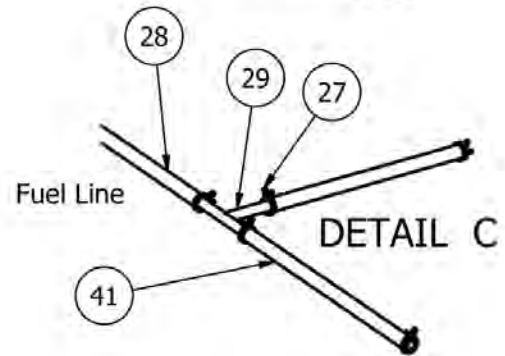
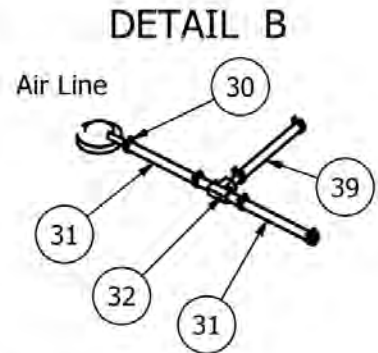
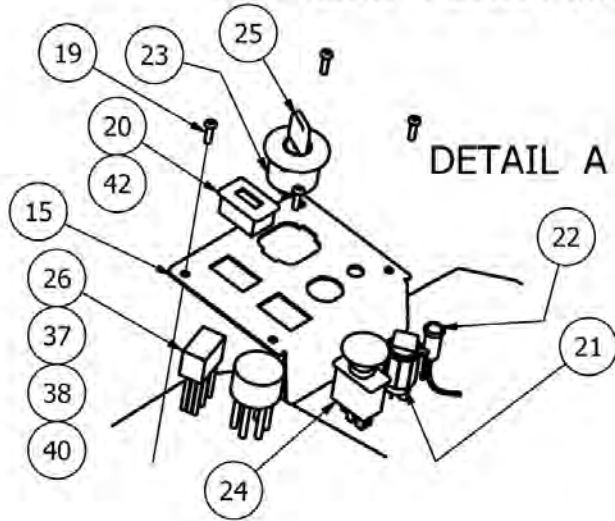


Outlaw Gas Tank Assemblies



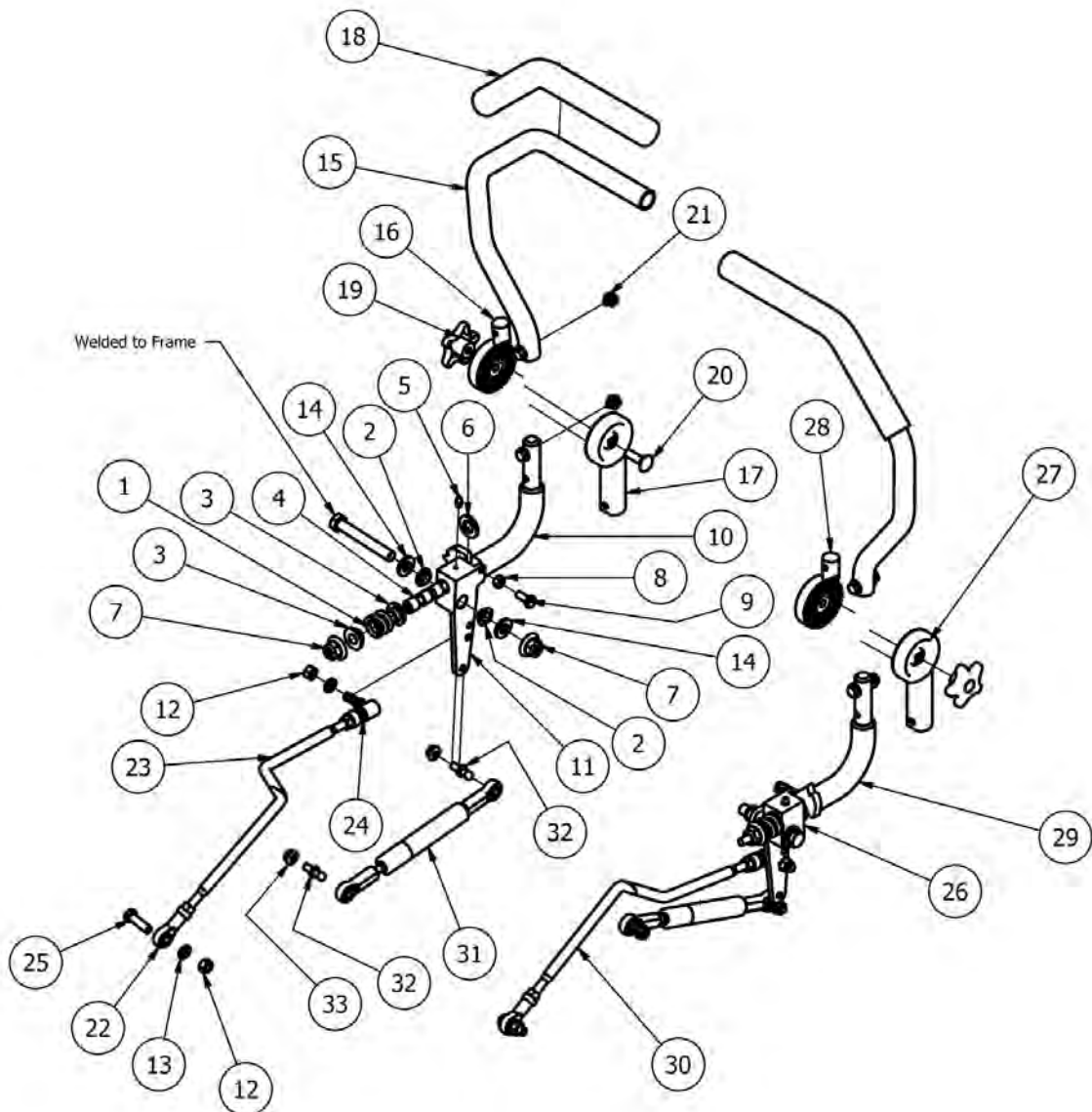
Gas tanks and control panel assembly			
ITEM	QTY	PART NUMBER	DESCRIPTION
1	1	080-5000-00	Outlaw Seat Bracket 2012
2	1	031-2031-00	Tank Support 2012 Outlaw (Left)
3	1	067-5001-11	Left Tank
4	1	067-4025-00	Fuel Gauge and Grommet
5	2	018-8065-00	5/16" x 1" Carriage Bolt
6	2	013-8049-00	5/16-18 Nylon Flange Nut
7	2	019-6042-00	.360 ID Plastic Washer
8	1	031-2030-00	Outlaw Tank Support 2012 (Right)
9	1	067-5000-11	Right Tank
10	1	079-3300-00	Outlaw Instrument Panel 2010
11	5	018-2007-00	5/16" x 1" Bolt
12	5	019-8051-00	5/16" Lock Washer
13	5	019-8044-00	5/16" Flat Washer
14	2	066-8083-00	3.5" Tethered Fuel Cap
15	4	018-2010-00	10-32 x 3/8" Button Socket Head Bolt
16	1	083-4013-00	Tachometer
17	1	077-2075-00	12V AUX Connection
18	1	089-1000-00	Oil Light
19	1	077-8076-00	Ignition Switch
20	1	056-8058-00	PTO Engager
21	1	042-9000-00	Ignition Key
22	1	086-2050-00	Wiring Harness-23hp Briggs/30hp Briggs Outlaw
23	1	051-7070-00	Fuel Line Assembly
24	6	072-8069-00	1/4 fuel clamp
25	3	051-8067-00	1/4" fuel line hose
26	1	073-8068-00	fuel line T
27	1	051-8072-00	1/4" Vinyl Tubing-Black
28	6	072-8070-00	3/16 vinyl clamp
29	3	051-8073-00	3/16 vinyl tubing
30	1	073-2000-00	Brass fuel line T
31	1	018-5043-00	3/8" x 1 1/4" Carriage Bolt
32	1	013-5202-00	3/8" Nylock Flange Nut
33	1	086-2008-00	Wiring Harness- 30hp Kohler 2006 and up

Outlaw Extreme Gas Tank Assemblies

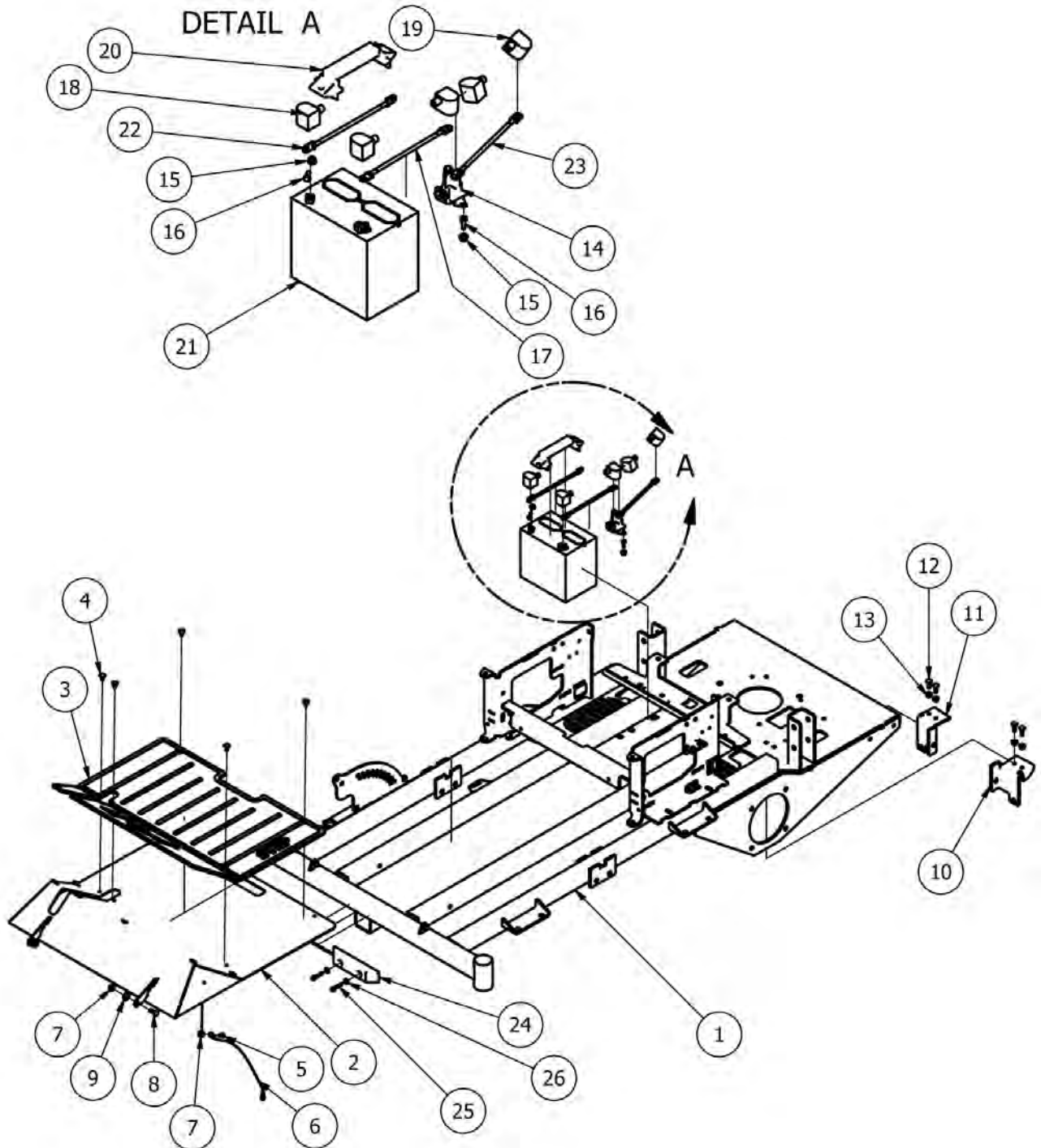


Outlaw Extreme Gas Tank Assemblies			
ITEM	QTY	PART NUMBER	DESCRIPTION
1	1	080-5000-00	Outlaw Seat Bracket 2012
2	1	031-2031-00	Tank Support 2012 Outlaw (Left)
3	5	018-2007-00	5/16" x 1" Bolt
4	5	019-8051-00	5/16" Lock Washer
5	5	019-8044-00	5/16" Flat Washer
6	2	066-8083-00	3.5" Tethered Fuel Cap
7	1	067-4025-00	Fuel Gauge and Grommet
8	2	018-8065-00	5/16" x 1" Carriage Bolt
9	2	013-8049-00	5/16-18 Nylon Flange Nut
10	2	019-6042-00	.360 ID Plastic Washer
11	1	018-5043-00	3/8" x 1 1/4" Carriage Bolt
12	1	013-5202-00	3/8" Nylock Flange Nut
13	1	067-8000-11	2011 CARB Fuel Tank- Extreme- Left
14	1	031-2030-00	Outlaw Tank Support 2012 (Right)
15	1	079-3300-00	Outlaw Instrument Panel 2010
16	5	018-2007-00	5/16" x 1" Bolt
17	5	019-8051-00	5/16" Lock Washer
18	5	019-8044-00	5/16" Flat Washer
19	4	018-2010-00	10-32 x 3/8" Button Socket Head Bolt
20	1	083-4013-00	Tachometer
21	1	077-2075-00	12V AUX Connection
22	1	089-1000-00	Oil Light
23	1	077-8076-00	Ignition Switch
24	1	056-8058-00	PTO Engager
25	1	042-9000-00	Ignition Key
26	1	086-0032-00	Wiring Harness-36hp Outlaw-Vanguard
27	6	072-8069-00	1/4 fuel clamp
28	3	051-8067-00	1/4" fuel line hose
29	1	073-8068-00	fuel line T
30	6	072-8070-00	3/16 vinyl clamp
31	3	051-8073-00	3/16 vinyl tubing
32	1	073-2000-00	Brass fuel line T
33	2	018-8065-00	5/16" x 1" Carriage Bolt
34	2	013-8049-00	5/16-18 Nylon Flange Nut
35	2	019-6042-00	.360 ID Plastic Washer
36	1	067-8001-11	2011 CARB Fuel Tank - Extreme - Right
37	1	086-0045-00	Wiring Harness - 31 Kawasaki
38	1	086-2008-00	Wiring Harness - 30 Kohler
39	1	051-8072-00	1/4" Vinyl Tubbing
40	1	086-1201-00	Relay Terminal
41	1	051-7070-00	Fuel line assembly
42	1	083-4050-00	Tachometer-2012 29hp EFI Kohler (only)

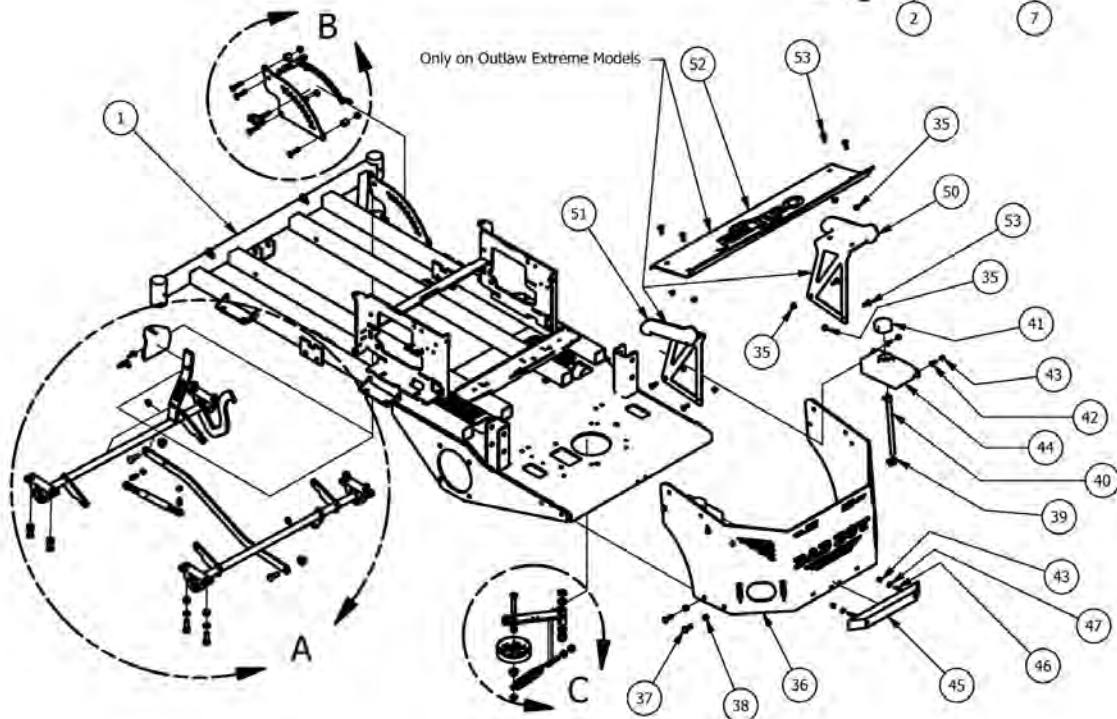
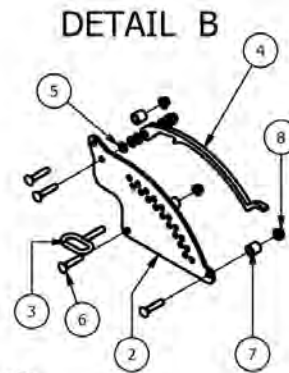
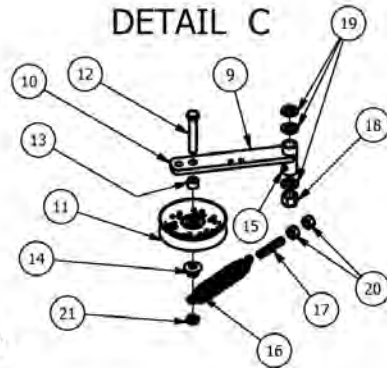
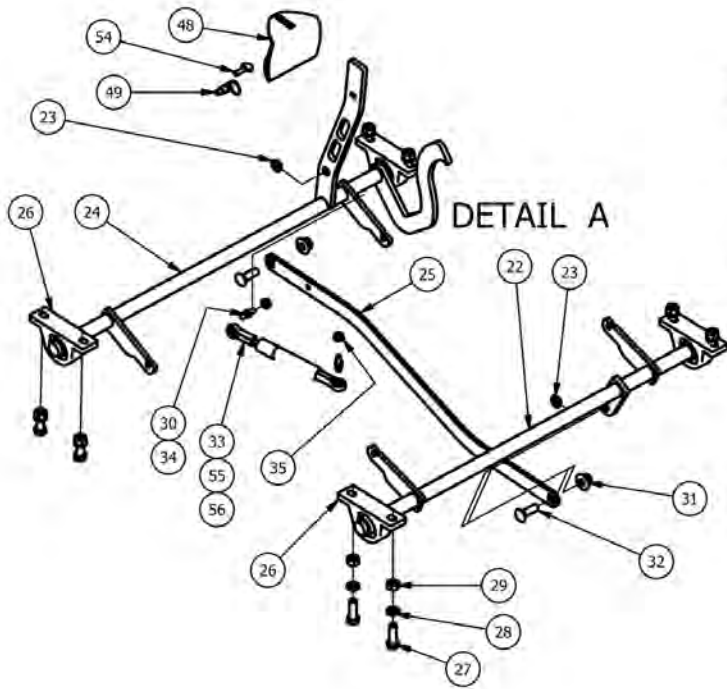
Outlaw Drive Arms



Outlaw Drive Arm Assembly			
ITEM	QTY	PART NUMBER	DESCRIPTION
1	1	034-8025-00	Drive Lever Spring
2	2	032-5055-00	Bushing for 2012 Drive Arms
3	2	019-8027-00	.515 ID Nylon Shoulder Washer
4	3	032-8024-00	.507 ID Nylon Bushing
5	2	024-6034-00	1/4" Drive in Grease Fitting
6	1	019-6017-00	.635 ID Plastic Washer
7	2	013-8050-00	1/2-13 Nylon Flange Nut-Orange
8	1	013-8043-00	5/16" Nut
9	1	018-8063-00	5/16" x 3/4" Hex Bolt
10	1	031-9020-00	Steering Arm Elbow - Left
11	1	027-9000-00	Drive Arm Lever Housing (Left)
12	2	013-6051-00	3/8" Fine Threaded Jam Nut
13	2	019-5037-00	3/8" Lock Washer
14	2	019-7000-00	.505x1x .125 Oil Impregnated washer
15	1	031-9010-00	Upper Tube-Adjustable Steering
16	1	031-9017-00	Upper adjuster-Steering Arm- Left
17	1	031-9014-00	Lower Adjuster - Steering Arm- Left
18	1	069-4010-00	Rubber Grip
19	1	045-5000-00	Black Knob for Adjustable Steering Arm
20	1	018-5043-00	3/8" x 1 1/4" Carriage Bolt
21	4	018-2020-00	5/16-18 1/2 HWH Bolt-Steering
22	1	048-3000-00	Spherical Rod End - Outlaw
23	1	035-2050-00	Push Rod for Outlaw - Left
24	1	099-2009-00	Quick Release Ball Joint
25	1	018-5040-00	3/8" x 1 1/4" Hex Bolt
26	1	027-9001-00	Drive Arm Lever Housing (Right)
27	1	031-9015-00	Lower Adjuster - Steering Arm- Right
28	1	031-9016-00	Upper Adjust Steering Arm- Right
29	1	031-9025-00	Steering Arm Elbow - Right
30	1	035-2000-00	Push Rod for Outlaw - Right
31	1	087-3000-00	Damper
32	2	018-2050-00	10mm Damper Ball Stud-Steering
33	2	013-9002-00	5/16" Flange Nut

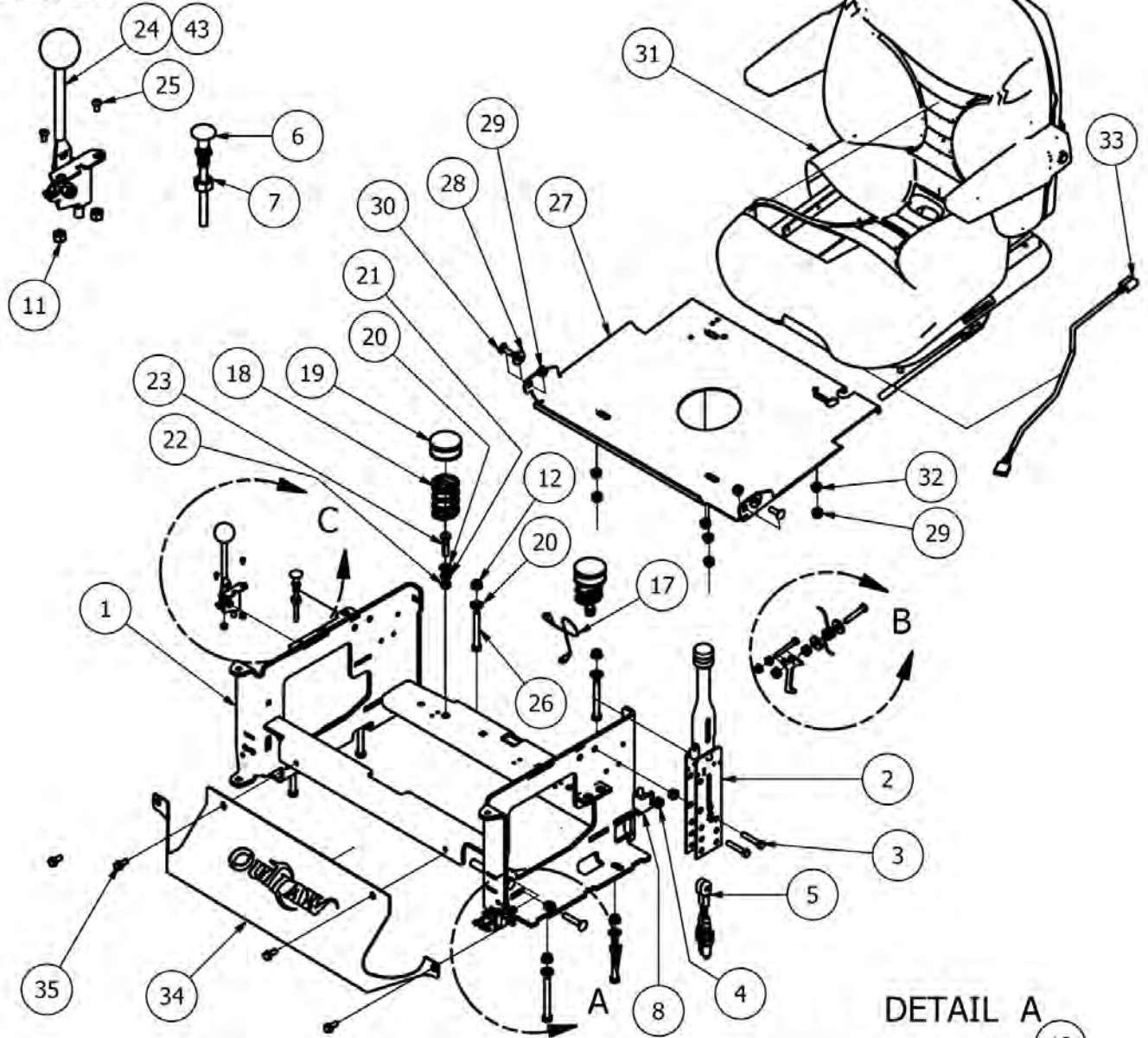


Floor Board and Battery Assembly			
ITEM	QTY	PART NUMBER	DESCRIPTION
1	1	070-5350-00	Outlaw Frame
2	1	079-3100-00	Outlaw Floor Panel
3	1	081-2008-00	Foot Assist Floor Mat
4	11	040-6080-00	Ratchet Fastener
5	1	018-8064-00	1/4" x 5/8" BS C/S 18-8 SS
6	1	064-2006-00	Floor board Cable W/ Swivel Ends
7	3	013-8049-00	5/16-18 Nylon Flange Nut
8	2	018-8065-00	5/16" x 1" Carriage Bolt
9	2	019-6042-00	.360 ID Plastic Washer
10	1	039-2113-00	Outlaw Brake Cable Mount Bracket (Right)
11	1	039-2110-00	Outlaw Brake Cable Mounting Bracket (left)
12	4	018-8065-00	5/16" x 1" Carriage Bolt
13	4	013-9002-00	5/16" Flange Nut Zinc W/Serrations
14	1	108-5349-00	Solenoid
15	4	013-9001-00	1/4-20 Hex Flange Nuts Zinc w/Serrations
16	4	018-8052-00	1/4-20 x 3/4 GR 5 Hex Bolts Zinc
17	1	064-5300-00	24" red battery cable
18	2	103-5400-00	Black Boot For ground cable
19	3	103-5300-00	Red Boot
20	1	043-8929-00	Hold Down Assembly
21	1	068-8049-00	Battery
22	1	086-0005-00	Starter to chassis cable
23	1	086-0003-00	Red battery cable alternator to Started cable
24	1	029-7038-00	8" Rubber Bumper
25	2	030-7039-00	1/4" x 1 1/2" Self Tapping Screw
26	2	019-7040-00	1/4" Flat Washer

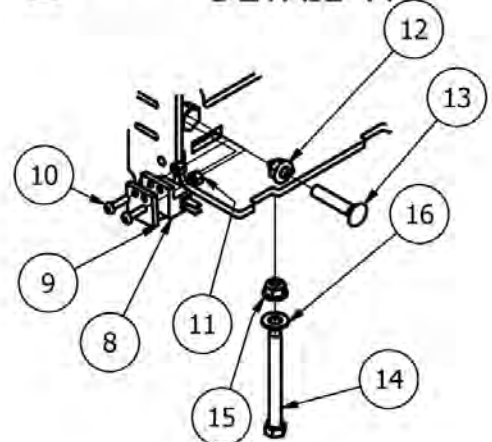


Parts List			
ITEM	QTY	PART NUMBER	DESCRIPTION
1	1	070-5350-00	Outlaw Frame
2	1	026-2100-00	Outlaw Height Indicator Plate (Outer)
3	1	040-4000-00	Deck height lever pin
4	1	031-0100-00	Outlaw Deck Lever Lock
5	5	019-2003-00	.390 x .750 x .062 Nylon Washer
6	4	018-0009-00	3/8 x 1 3/4 Carriage Bolt
7	3	025-5203-00	3/4 OD x 1/2 ID x 3\4 Length
8	4	013-5202-00	3/8" Nylock Flange Nut
9	1	039-6945-98	Deck Idler Assembly Componets 10,11,12,13,14,15
10	1	039-6945-00	Deck Idler Bracket
11	1	033-6001-00	4-3/4 Idler Pulley
12	1	018-7016-00	1/2-13 x GR 5 Hex Bolt Zinc
13	1	025-7036-00	1/2 x 1/2 Spacer
14	1	013-8050-00	1/2-13 Nylon Flange Nut-Orange
15	1	024-6034-00	1/4" Drive in Grease Fitting
16	1	034-2009-00	Pump Idler Spring
17	1	018-2004-00	All Thread-pump Idler Tensioner
18	1	013-7021-00	5/8 Std NC Nylock Nut
19	3	019-6017-00	.635 ID Plastic Washer
20	2	013-7018-00	1/2" Hex Nut
21	1	018-4010-00	1/2" Nylcock Nut (1/2 Jam)
22	1	028-6020-00	Outlaw Actuator Bar (Rear)
23	2	032-3000-00	Bushing- SF-1620-4
24	1	028-6010-00	Outlaw Front Actuator Bar Assembly
25	1	028-6050-00	Outlaw Deck Linkage Rod
26	4	017-7008-00	Pillow block Bearing
27	8	018-5006-00	1/2" x 1 1/2" Hex Bolt
28	8	019-5007-00	1/2" Lock Washer
29	8	013-7018-00	1/2" Hex Nut
30	1	018-2050-00	10mm Damper Ball Stud-Steering Only on 54" & 61" Decks
31	2	013-8050-00	1/2-13 Nylon Flange Nut-Orange
32	2	018-0008-00	1/2 x 1-1/2 Carriage Bolt
33	1	087-5400-00	200 lb Gas Spring- 54" Deck outlaw
34	1	018-2049-00	13mm Damper Ball Stud for 72" Deck only
35	9	013-9002-00	5/16-18 Hex Flange Nuts
36	1	026-2110-00	Outlaw Rear Plate
37	4	018-5043-00	3/8" x 1 1/4" Carriage Bolt
38	4	013-5041-00	3/8 Nylock Nut
39	4	072-8067-00	5/8 Hose Clamp
40	2	051-9000-00	5/8 Braided Hose
41	2	066-5050-00	Hydraulic Tank Cap
42	4	019-8040-00	1/4" x 3/4" Carriage Bolt
43	6	013-2050-00	1/4-20 Nylon Insert flange Nut
44	2	067-8085-00	Expansion Tank Outlaw
45	1	029-7037-00	14" Rubber Bumper
46	2	018-4702-00	1/4-20 x 1-1/4 GR 5 Hex Bolt
47	2	019-7040-00	1/4" Flat Washer
48	1	026-0013-00	Outlaw Deck Lift Pedal
49	1	040-5000-00	Pull Pin
50	1	201-1050-00	Spoiler Side Support Right
51	1	201-1051-00	Spoiler Side Support Left
52	1	026-1040-00	Outlaw Spoiler Plate
53	8	018-8065-00	5/16" x 1" Carriage Bolt
54	1	030-0010-00	5/16-18 x1 Thumb Screw Zinc
55	1	087-7200-00	300 lb Gas Spring - 72" Deck Outlaw
56	1	087-6100-00	250 lb Gas Spring - 61" Deck outlaw

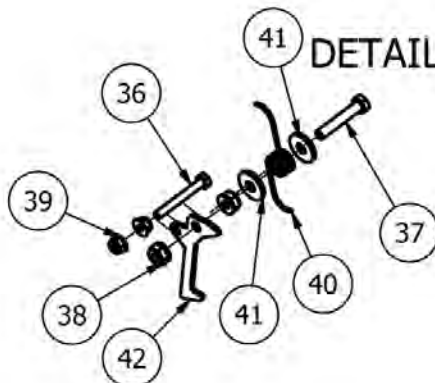
DETAIL C



DETAIL A

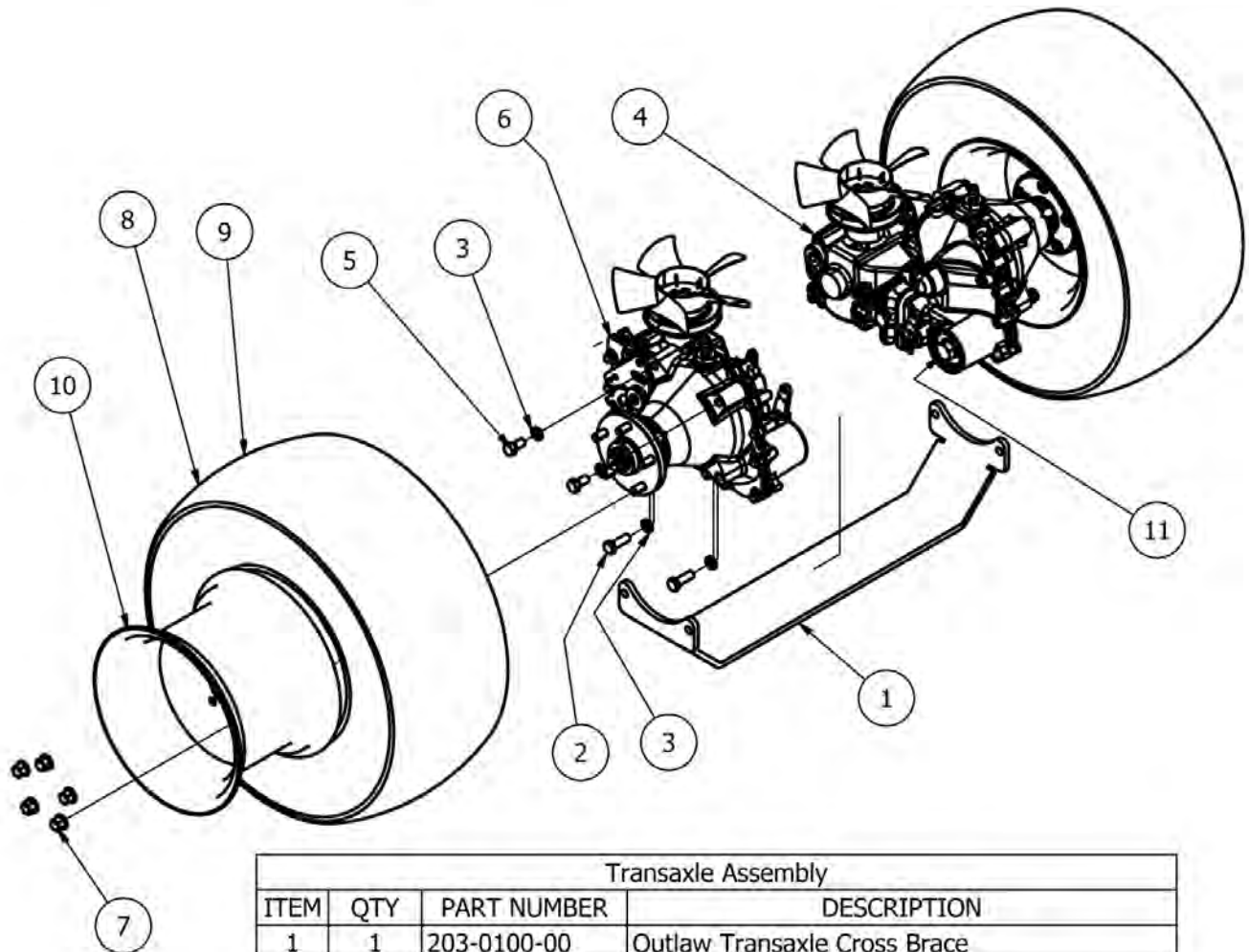


DETAIL B



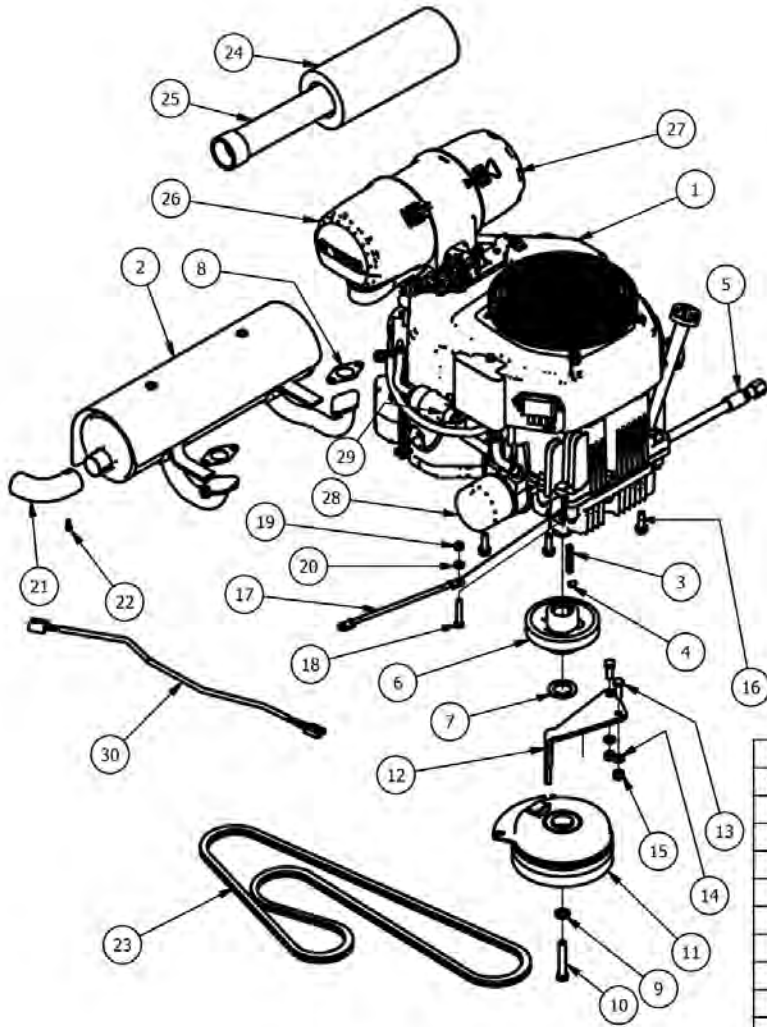
Seat Frame Assembly			
ITEM	QTY	PART NUMBER	DESCRIPTION
1	1	080-5000-00	Outlaw Seat Bracket 2012
2	1	069-8054-00	Brake Handle Kit
3	2	018-8059-00	5/16" x 1 3/4" Hex Bolt
4	2	013-8049-00	5/16-18 Nylon Flange Nut
5	2	064-8056-00	Long Brake Cable
6	1	054-8017-00	Choke
7	1	013-6051-00	3/8" Fine Threaded Jam Nut
8	3	077-8073-00	Safety Switch
9	2	025-6041-00	Switch Block Plastic
10	4	018-8056-00	10-24 x 1 BS C/S 18-8 SS
11	6	013-5019-00	10-24 Nylon Insert Locknut
12	4	013-5202-00	3/8" Nylock Flange Nut
13	2	018-0009-00	3/8 x 1 3/4 Carriage Bolt
14	4	018-1010-00	3/8-16x3-1/2 grade 5 hex bolt
15	4	013-5202-00	3/8" Nylock Flange Nut
16	4	019-5029-00	3/8" Flat Washer
17	1	064-8081-00	Seat Cable
18	2	034-8045-00	Seat Spring
19	2	014-8047-00	Spring Cap Cover
20	4	019-5029-00	3/8" Flat Washer
21	2	019-5037-00	3/8" Lock Washer
22	2	013-6014-00	3/8" Hex Nut
23	2	018-6012-00	3/8" x 1 1/2" Hex Bolt
24	1	055-8021-00	Throttle-All Outlaws
25	2	018-5200-00	10-24 X 5/8 BS C/S 18-8 SS
26	2	018-4700-00	3/8-16x3 grade 5 hex bolt
27	1	026-2006-00	Seat Plate
28	2	019-6042-00	.360 ID Plastic Washer
29	6	013-8049-00	5/16-18 Nylon Flange Nut
30	2	018-8065-00	5/16" x 1" Carriage Bolt
31	1	071-5000-00	2010 Outlaw Seat
32	4	013-9002-00	5/16" Flange Nut
33	1	036-5300-00	Seat Switch Adapter
34	1	014-2100-00	Outlaw Cooler Cover
35	4	030-7042-00	5/16 x 3/4 washer head type F screw
36	1	018-0011-00	1/4-20 x 2 Hex Bolt
37	1	018-8059-00	5/16" x 1 3/4" Hex Bolt
38	2	013-8049-00	5/16-18 Nylon Flange Nut
39	2	013-9001-00	1/4-20 Hex Flange Nuts Zinc w/Serrations
40	1	034-1075-00	Torsion Spring for Seat latch
41	2	019-6042-00	.360 ID Plastic Washer
42	1	031-0200-00	Seat Latch Lever
43	1	055-8017-00	Throttle for Kawasaki Models

Transaxle Assembly



Transaxle Assembly			
ITEM	QTY	PART NUMBER	DESCRIPTION
1	1	203-0100-00	Outlaw Transaxle Cross Brace
2	4	018-5006-00	1/2" x 1 1/2" Hex Bolt
3	8	019-5007-00	1/2" Lock Washer
4	1	050-7001-00	ZT - 5400 - Right
5	4	018-2030-00	1/2" x 1" Hex Bolt
6	1	050-7000-00	ZT - 5400 - Left
7	10	013-3000-00	Acorn Lug Nut
8	2	022-4000-00	24 x 12.00-10 Tire and Wheel assembly
9	1	022-4005-00	24 x 12.00 - 10 outlaw Tire
10	1	022-4010-00	10" Wheel For Outlaw
11	1	063-1060-00	Hydro Filter for Outlaw

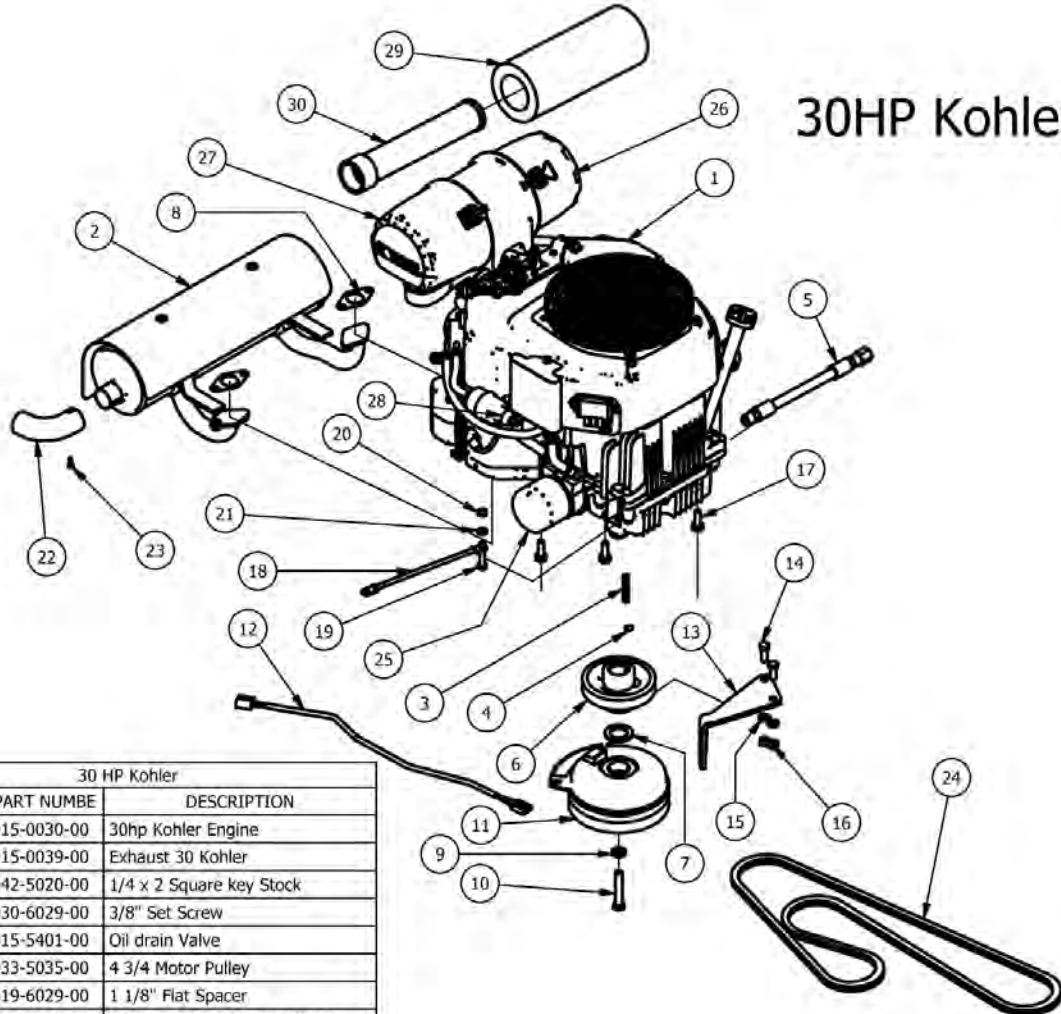
29HP EFI Kohler



29HP EFI Kohler			
ITEM	QTY	PART NUMBER	DESCRIPTION
1	1	015-2900-00	29Hp EFI Kohler Engine
2	1	015-0039-00	Kohler Exhaust
3	1	042-5020-00	1/4 x 2 Square key Stock
4	1	030-6029-00	3/8" Set Screw
5	1	051-5401-00	Oil drain Hose
6	1	033-5035-00	4 3/4 Motor Pulley
7	1	019-6029-00	1 1/8" Flat Spacer
8	2	015-2751-00	Exhaust Gasket
9	1	019-8053-00	7/16" Lock Washer
10	1	018-5300-00	7/16" x 2 1/2" Hex Bolt
11	1	070-1000-00	Clutch Assembly
12	1	057-5906-00	PTO Engager Holder
13	2	018-6049-00	3/8" x 1" Hex Bolt
14	2	019-5037-00	3/8" Lock Washer
15	2	013-6014-00	3/8" Hex Nut
16	3	018-1075-00	3/8 x 1 1/8 bolt
17	1	086-0005-00	Starter to chassis cable
18	1	018-8059-00	5/16" x 1 3/4" Hex Bolt
19	1	013-8043-00	5/16" Nut
20	1	019-8051-00	5/16" Lock Washer
21	1	015-5400-00	Exhaust Extension
22	1	030-3050-00	#10 x 1/2" Self Taping Screw
23	1	041-5048-00	Pump Belt
24	1	063-8019-00	Canister Air Filter- Outer
25	1	063-8020-00	Canister Air Filter- Inner
26	1	015-2703-00	30 Kohler Air Canister Complete
27	1	015-2704-00	30 Kohler End Cap
28	1	063-5400-00	Oil Filter
29	1	063-6000-00	Universal inline Fuel Filter
30	1	070-2010-00	10 amp Clutch Pigtail-Diesel

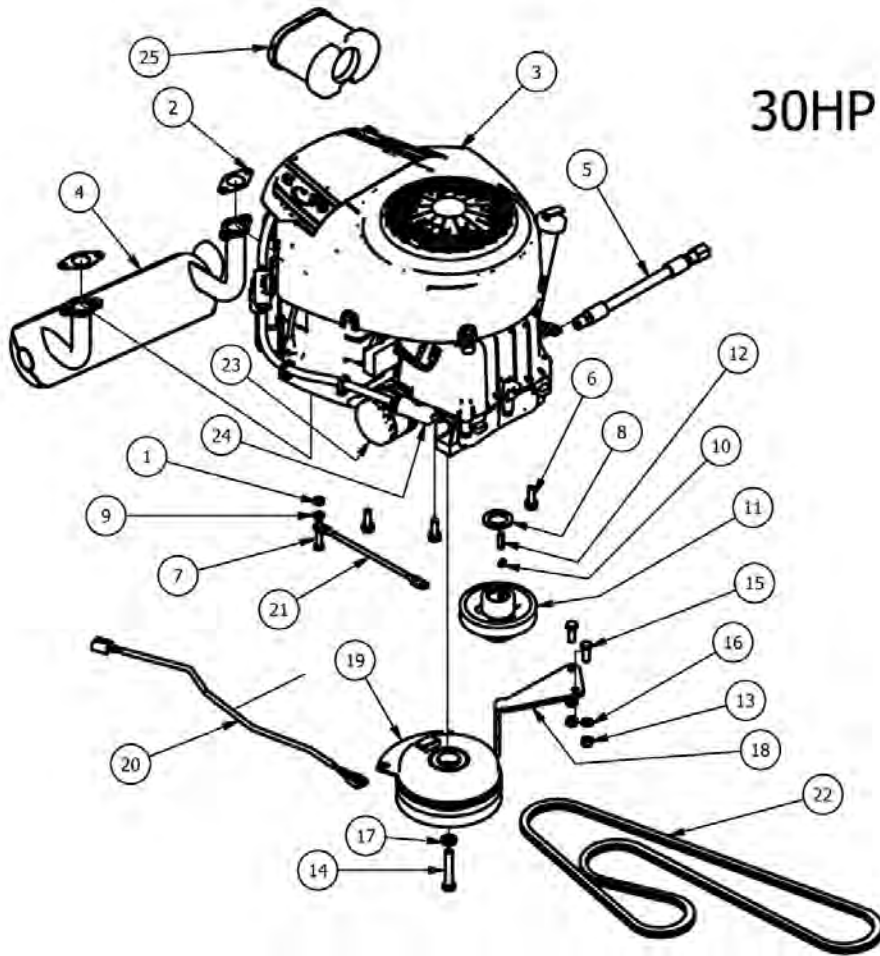


30HP Kohler



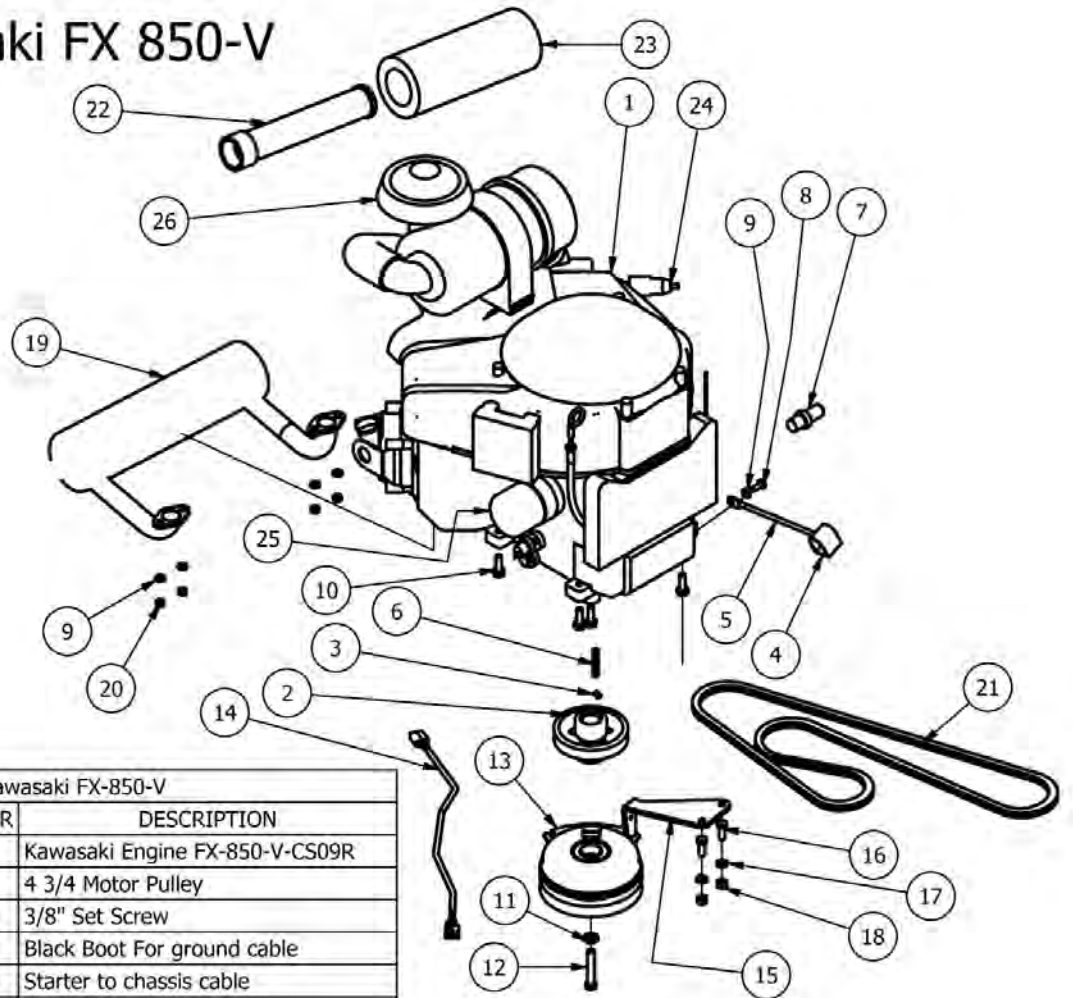
30 HP Kohler			
ITEM	QTY	PART NUMBE	DESCRIPTION
1	1	015-0030-00	30hp Kohler Engine
2	1	015-0039-00	Exhaust 30 Kohler
3	1	042-5020-00	1/4 x 2 Square key Stock
4	1	030-6029-00	3/8" Set Screw
5	1	015-5401-00	Oil drain Valve
6	1	033-5035-00	4 3/4 Motor Pulley
7	1	019-6029-00	1 1/8" Flat Spacer
8	2	015-2751-00	Exhaust Gasket for 27, 30 HP
9	1	019-8053-00	7/16" Lock Washer
10	1	018-5300-00	7/16" x 2 1/2" Hex Bolt
11	1	070-1000-00	Clutch Assembly
12	1	070-2000-00	Clutch Pigtail
13	1	057-5906-00	PTO Engager Holder
14	2	018-6049-00	3/8" x 1" Hex Bolt
15	2	019-5037-00	3/8" Lock Washer
16	2	013-6014-00	3/8" Hex Nut
17	3	018-1075-00	3/8 x 1 1/8 bolt
18	1	086-0005-00	Starter to chassis cable
19	1	018-8059-00	5/16" x 1 3/4" Hex Bolt
20	1	013-8043-00	5/16" Nut
21	1	019-8051-00	5/16" Lock Washer
22	1	015-5400-00	Exhaust Extension
23	1	030-3050-00	#10 x 1/2" Self Taping Screw
24	1	041-5048-00	Pump Belt
25	1	063-5400-00	Oil Filter - 27&30 Kohler
26	1	015-2704-00	30 Kohler End Cap- New Style
27	1	015-2703-00	30 Kohler Air Canister
28	1	063-6000-00	Universal inline Fuel Filter
29	1	063-8019-00	Canister Air Filter- Outer
30	1	063-8020-00	Canister Air Filter- Inner

30HP Briggs



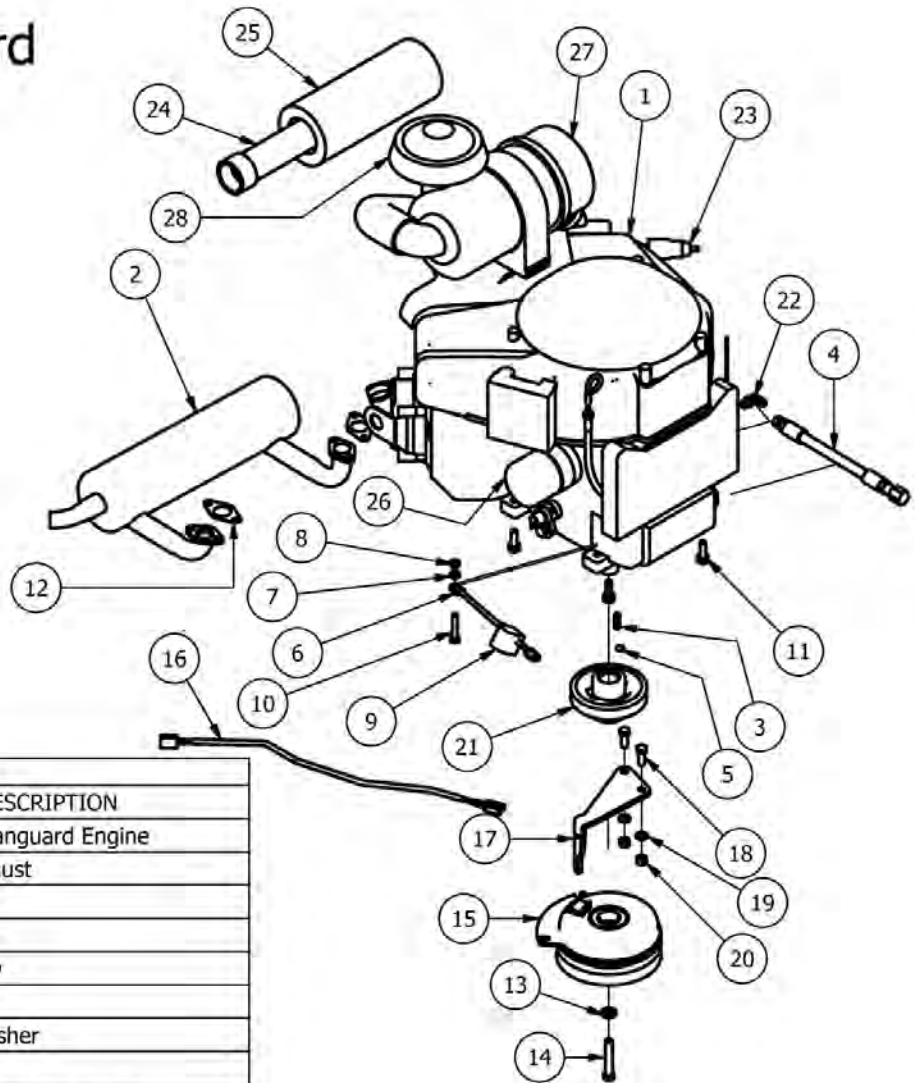
30HP Briggs			
ITEM	QTY	PART NUMBER	DESCRIPTION
1	1	013-8043-00	5/16" Nut
2	2	015-2709-00	Exhaust gasket
3	1	015-3030-00	30 hp Briggs Engine W/Cyclonic Filter
4	1	015-3031-00	Exhaust for 30 HP Briggs Engine
5	1	015-5401-00	Oil drain Valve
6	3	018-1075-00	3/8 x 1 1/8 bolt
7	1	018-8059-00	5/16" x 1 3/4" Hex Bolt
8	1	019-6029-00	1 1/8" Flat Spacer
9	1	019-8051-00	5/16" Lock Washer
10	1	030-6029-00	3/8" Set Screw
11	1	033-5035-00	4 3/4 Motor Pulley
12	1	042-6030-00	1/4" x 1" Key
13	2	013-6014-00	3/8" Hex.Nut
14	1	018-5300-00	7/16" x 2 1/2" Hex Bolt
15	2	018-6049-00	3/8" x 1" Hex Bolt
16	2	019-5037-00	3/8" Lock Washer
17	1	019-8053-00	7/16" Lock Washer
18	1	057-5906-00	PTO Engager Holder
19	1	070-1000-00	Clutch Assembly
20	1	070-2000-00	Clutch Pigtail
21	1	086-0005-00	Starter to chassis cable
22	1	041-5048-00	Pump Belt
23	1	063-8018-00	Briggs Oil Filter
24	1	063-6000-00	Universal Inline Fuel Filter
25	1	063-3003-00	30hp Briggs Air Filter

Kawasaki FX 850-V



Kawasaki FX-850-V			
ITEM	QTY	PART NUMBER	DESCRIPTION
1	1	015-0031-00	Kawasaki Engine FX-850-V-CS09R
2	1	033-5035-00	4 3/4 Motor Pulley
3	1	030-6029-00	3/8" Set Screw
4	1	103-5400-00	Black Boot For ground cable
5	1	086-0005-00	Starter to chassis cable
6	1	042-5020-00	1/4 x 2 Square key Stock
7	1	015-5404-00	oil drain
8	1	018-5321-00	M8x1.20x20MM Hex head bolt
9	5	019-8051-00	5/16" Lock Washer
10	4	018-1075-00	3/8 x 1 1/8 bolt
11	1	019-8053-00	7/16" Lock Washer
12	1	018-5300-00	7/16" x 2 1/2" Hex Bolt
13	1	070-1000-00	Clutch Assembly
14	1	070-2000-00	Clutch Pigtail
15	1	057-5906-00	PTO Engager Holder
16	2	018-6049-00	3/8" x 1" Hex Bolt
17	2	019-5037-00	3/8" Lock Washer
18	2	013-6014-00	3/8" Hex Nut
19	1	015-0035-00	Kawasaki Exhaust
20	4	013-0075-00	M8-1.25 Zinc Nut
21	1	041-5048-00	Pump Belt
22	1	063-8020-00	Canister Air Filter- Inner
23	1	063-8019-00	Canister Air Filter- Outer
24	1	063-6000-00	Universal inline Fuel Filter
25	1	063-8017-00	Kawasaki Oil Filter
26	1	063-2045-00	Rain Cap-Fits all Canisters

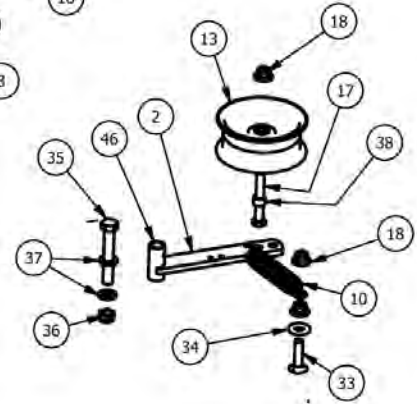
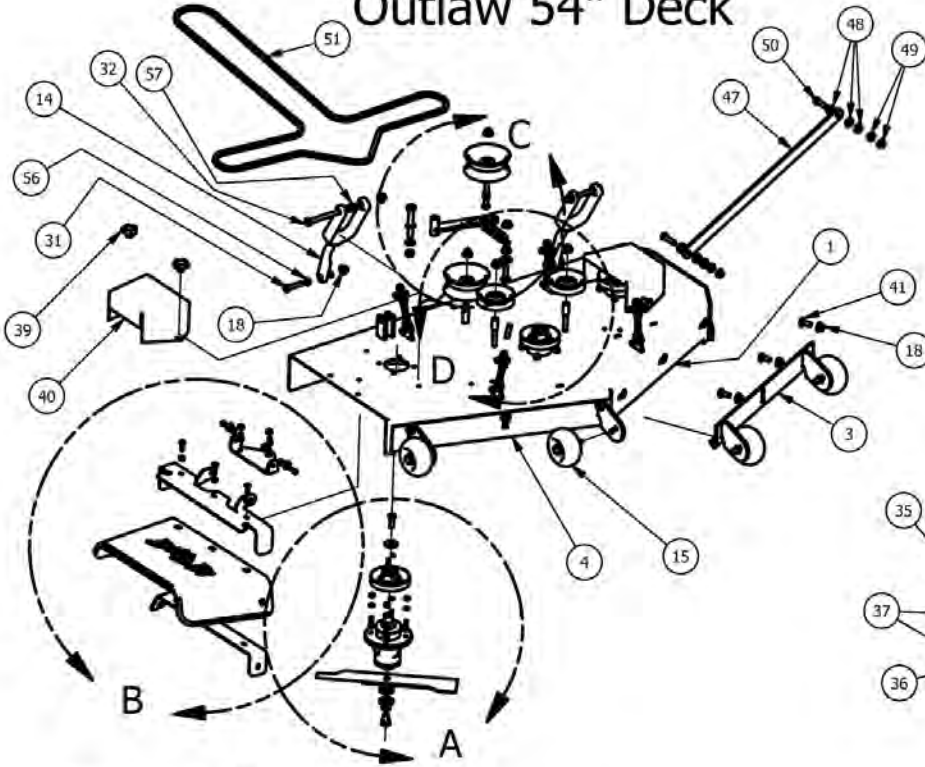
36HP Vanguard



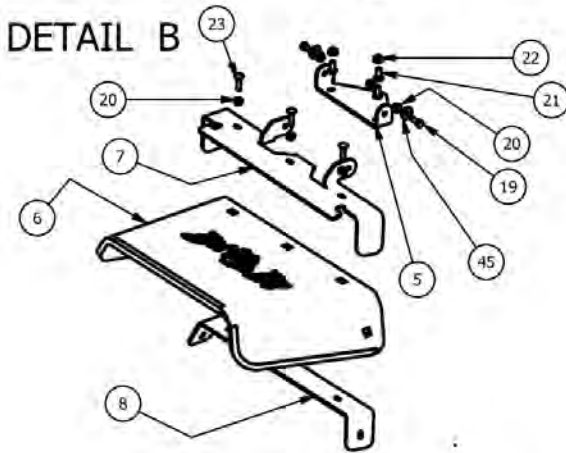
36HP Vanguard			
ITE	QTY	PART NUMBER	DESCRIPTION
1	1	015-3600-00	36Hp Briggs Vanguard Engine
2	1	015-0034-00	Vanguard Exhaust
3	1	042-6030-00	1/4" x 1" Key
4	1	051-5400-00	Oil drain Hose
5	1	030-0050-00	5/16 Set Screw
6	1	064-8061-00	Ground Cable
7	1	019-8051-00	5/16" Lock Washer
8	1	013-8043-00	5/16" Nut
9	1	103-5400-00	Black Boot For ground cable
10	1	018-8059-00	5/16" x 1 3/4" Hex Bolt
11	3	018-1075-00	3/8 x 1 1/8 bolt
12	2	015-0025-00	Exhaust Gasket
13	1	019-8053-00	7/16" Lock Washer
14	1	018-5300-00	7/16" x 2 1/2" Hex Bolt
15	1	070-1000-00	Clutch Assembly
16	1	070-2000-00	Clutch Pigtail
17	1	057-5906-00	PTO Engager Holder
18	2	018-6049-00	3/8" x 1" Hex Bolt
19	2	019-5037-00	3/8" Lock Washer
20	2	013-6014-00	3/8" Hex Nut
21	1	033-5035-00	4 3/4 Motor Pulley
22	1	036-5400-00	Adaptor For Briggs oil drain
23	1	063-6000-00	Universal inline Fuel Filter
24	1	063-8020-00	Canister Air Filter- Inner
25	1	063-8019-00	Canister Air Filter- Outer
26	1	063-8018-00	Briggs Oil Filter
27	1	015-2705-00	Complete Canister
28	1	063-2045-00	Rain Cap Fits all Canisters



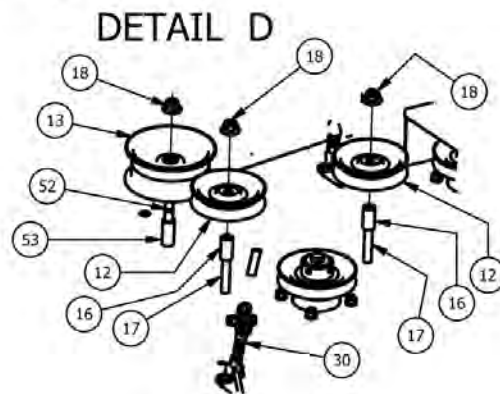
Outlaw 54" Deck



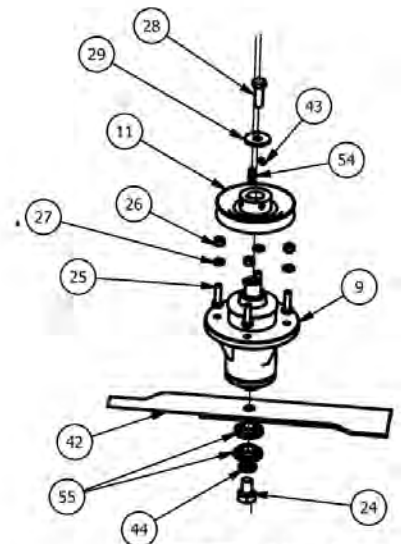
DETAIL C



DETAIL B



DETAIL D



DETAIL A

54" Outlaw Deck			
ITEM	QTY	PART NUMBER	DESCRIPTION
1	1	060-5500-00	54" Outlaw Deck
2	1	039-6945-00	Deck Idler Bracket
3	1	060-5520-00	54 Outlaw Adjustable Deck Front (Right)
4	1	060-5530-00	54 Outlaw Adjustable Deck Front (left)
5	1	206-6017-00	Discharge Chute Hanger (deck mounted)
6	1	210-6005-00	Rubber Discharge Chute
7	1	039-4864-00	Discharge Chute Upper Hanger
8	1	039-4863-00	Lower Hanger
9	3	037-8000-50	Double Bearing Spindle
10	1	034-2009-00	2009 Deck/Pump Idler Spring
11	3	033-6003-00	5" Deck Pulley
12	2	033-6001-00	4 3/4" Idler Pulley
13	2	033-5001-00	*Varies*
14	2	031-6010-00	Deck Hanger
15	6	022-1000-00	Deck Wheel
16	2	025-5338-00	Pulley Spacer
17	3	018-2018-00	1/2 x 3 1/2 Flange Bolt Grade 8
18	16	013-8050-00	1/2-13 Nylon Flange Nut-Orange
19	2	018-2007-00	5/16" x 1" Bolt
20	5	013-9002-00	5/16" Flange Nut
21	3	018-5250-00	3/8" x 3/4" Hex Bolt
22	3	013-5201-00	3/8" Flange Nut
23	3	018-4703-00	5/16" x 1 1/4" Carriage Bolt
24	3	018-6020-00	5/8" x 1 1/2" Grade 8 Bolt
25	12	018-5040-00	3/8" x 1 1/4" Hex Bolt
26	12	013-6014-00	3/8-16 Hex Nuts Zinc
27	12	019-5037-00	3/8" Lock Washer
28	3	018-6019-00	1/2"-20 x 1 1/2 - Grade 5 Fine Thread Bolt
29	3	019-6020-00	1/2 Belleville Washer
30	4	047-2000-00	2- Link Adjustable Deck Hange
31	2	018-6037-00	1/2-13X 2-1/4 GR Hex Bolts
32	2	018-1090-00	1/2" x 5 1/2" Bolt
33	1	018-1050-00	1/2 x 2" Carriage Bolt
34	1	019-2040-00	1/2" Flat Washer
35	1	018-5311-00	5/8" x 4" Hex Bolt
36	1	013-5301-00	5/8" Nylock (1/2 Jam)
37	2	019-6017-00	.635 ID Plastic Washer
38	1	025-5203-00	Spacer 3/4 OD x 1/2 ID x .75
39	4	045-6043-00	5/16" Knob
40	2	014-6010-00	Pulley Cover
41	6	018-3003-00	1/2" x 1 1/4 Carriage Bolt
42	3	038-0001-00	54" Deck Fusion Blade For Outlaw
43	3	030-6029-00	3/8" Set Screw
44	3	019-4807-00	5/8" Lock Washer
45	2	019-6042-00	.360 ID Plastic Washer
46	1	039-6945-98	Deck Idler Assembly Componets13,18,17,38,2
47	1	028-6060-00	Outlaw Panhard Link
48	6	019-8054-00	.505 Nylon Spacer
49	4	013-5300-00	1/2" Flange Nut
50	2	018-5049-00	1/2-13x2 GR 5 Hex Bolt
51	1	041-1650-00	B165 Belt-60 54" deck Outlaw
52	1	018-5019-00	1/2" x 4" Bolt (Grade 8)
53	1	025-5339-00	1 3/4" Pulley Spacer
54	3	042-6030-00	1/4" x 1" Key
55	6	037-8001-00	Double Bearing For Spindle
56	4	032-5057-00	Flange for Lower Deck Arm
57	4	032-5056-00	Flange Bushing for Deck Arm Upper

Outlaw 61" Deck			
ITEM	QTY	PART NUMBER	DESCRIPTION
1	1	060-6100-00	61" Outlaw Deck
2	2	031-6010-00	Deck Arm Assembly
3	2	033-5001-00	5 3/4 Flat Idler-32FI-92-008 Pulley
4	2	033-6001-00	4 3/4" Idler Pulley
5	3	033-6004-00	6 1/4" Drive Pulley
6	1	034-2009-00	2009 Deck/Pump Idler Spring
7	1	039-4863-00	60" Lower Hanger
8	1	039-6945-00	Deck Idler Bracket
9	3	018-2018-00	1/2 x 3 1/2 Flange Bolt Grade 8
10	2	025-5338-00	Pulley Spacer
11	24	013-8050-00	1/2-13 Nylon Insert Flange Nut
12	1	210-6005-00	Rubber Discharge Chute
13	1	060-6220-00	61 Outlaw Adjustable Deck Front (Left)
14	1	060-6210-00	61 Outlaw Adjustable Deck Front (Right)
15	1	206-6017-00	Discharge Chute Hanger (deck mounted)
16	12	018-5040-00	3/8" x 1 1/4" Hex Bolt
17	12	013-6014-00	3/8-16 Hex Nuts Zinc
18	12	019-5037-00	3/8 Lockwasher Zinc
19	3	019-6020-00	1/2 Belleville Washer
20	3	018-5250-00	3/8" x 3/4" Hex Bolt
21	3	013-5201-00	3/8" Flange Nut
22	2	018-2007-00	5/16" x 1" Bolt
23	7	013-9002-00	5/16" Flange Nut Zinc W/Serrations
24	3	018-6019-00	1/2"-20 x 1 1/2 - Grade 5 Fine Thread Bolt
25	1	018-5311-00	5/8" x 4" Hex Bolt
26	2	019-6017-00	.635 ID Plastic Washer
27	3	018-6020-00	5/8" x 1 1/2" Grade 8 Bolt
28	3	019-4807-00	5/8" Lock Washer
29	1	018-5019-00	1/2" x 4" Bolt (Grade 8)
30	5	018-4703-00	5/16" x 1 1/4" Carriage Bolt
31	1	013-5301-00	5/8" Nylock (1/2 Jam)
32	8	018-3003-00	1/2" x 1 1/4" Carriage Bolt
33	1	025-5203-00	Spacer 3/4 OD x 1/2 ID x .75
34	1	018-1050-00	1/2 x 2" Carriage Bolt
35	1	019-2040-00	1/2" Flat Washer
36	2	018-1090-00	1/2" x 5 1/2" Bolt
37	1	025-5339-00	1 3/4" Pulley Spacer
38	4	047-2000-00	2- Link Adjustable Deck Hange
39	6	022-1000-00	Deck Wheel
40	1	041-0178-00	B178 Belt For 61 Inch Outlaw
41	2	014-6010-00	Pulley Cover
42	4	045-6043-00	5/16" Knob
43	3	037-8000-50	Double Bearing Spindle
44	3	038-6080-00	61 inch Fusion Blade
45	2	018-6037-00	1/2-13X 2-1/4 GR Hex Bolts
46	3	030-0050-00	5/16 Set Screw
47	3	042-6030-00	1/4" x 1" Key
48	2	019-6042-00	.360 ID Plastic Washer
49	1	039-4864-00	60" Upper Hanger Plate
50	1	039-6945-98	Deck Idler Assembly-parts of Assembly 8,11,3,33,9
51	2	018-5049-00	1/2" x 13-2" GR 5 Hex Bolt
52	1	028-6060-00	Outlaw Panhard Link
53	6	019-8054-00	.505 Nylon Spacer
54	4	013-5300-00	1/2" Flange Nut
55	4	032-5056-00	Flange Bushing For Deck Arm upper
56	4	032-5057-00	Flange for Lower Deck Arm
57	6	037-8001-00	Double Bearing For Spindle

72" Deck			
ITEM	QTY	PART NUMBER	DESCRIPTION
1	1	060-7230-00	72" Outlaw Deck
2	3	037-8000-50	Double Bearing Spindle
3	3	019-4807-00	5/8" Lock Washer
4	3	018-6020-00	5/8" x 1 1/2" Grade 8 Bolt
5	3	018-6019-00	1/2"-20 x 1 1/2 - Grade 5 Fine Thread Bolt
6	3	019-6020-00	1/2 Belleville Washer
7	12	013-6014-00	3/8-16 Hex Nuts Zinc
8	12	019-5037-00	3/8 Lockwasher Zinc
9	3	038-7230-00	72" High Lift Fusion Blade
10	3	033-7203-00	7" Deck Pulley
11	3	030-6029-00	3/8" Set Screw
12	3	019-5007-00	1/2" Lock Washer
13	12	018-6012-00	3/8" x 1 1/2" Hex Bolt
14	3	042-6030-00	1/4" x 1" Key
15	1	206-6017-00	Discharge Chute Hanger (deck mounted)
16	1	039-4864-00	60" Upper Discharge Chute
17	1	210-6005-00	Rubber Discharge Chute
18	1	039-4863-00	60" Lower Discharge Chute
19	2	019-6042-00	.360 ID Plastic Washer
20	7	013-9002-00	5/16" Flange Nut Zinc W/Serrations
21	2	018-2007-00	5/16" x 1" Bolt
22	3	013-5201-00	3/8" Flange Nut
23	3	018-5250-00	3/8" x 3/4" Hex Bolt
24	5	018-4703-00	5/16" x 1 1/4" Carriage Bolt
25	4	047-2000-00	2- Link Adjustable Deck Hange
26	1	060-7211-00	72" Deck Adjustable Front (Right)
27	1	060-7210-00	72" Deck Adjustable Front (Left)
28	8	018-3003-00	1/2" x 1 1/4 Carriage Bolt
29	22	013-8050-00	1/2-13 Nylon Insert Flange Nut
30	4	022-1000-00	Deck Wheel
31	2	025-5338-00	Pup Pulley Spacer
32	2	018-2018-00	1/2 x 3 1/2 Flange Bolt Grade 8
33	2	033-7201-00	5 3/4" Deck Idler Pulley
34	2	033-5001-00	5 3/4 Flat Idler-32FI-92-008 Pulley
35	1	018-5019-00	1/2" x 4" Bolt (Grade 8)
36	1	025-5339-00	1 3/4" Pulley Spacer
37	1	039-6945-00	Deck Idler Bracket
38	2	019-6017-00	.635 ID Plastic Washer
39	1	018-5311-00	5/8" x 4" Hex Bolt
40	1	013-5301-00	5/8" Nylock (1/2 Jam)
41	1	034-2009-00	2009 Deck/Pump Idler Spring
42	1	018-1050-00	1/2 x 2" Carriage Bolt
43	1	019-2040-00	1/2" Flat Washer
44	2	018-5049-00	1/2-13x2 GR 5 Hex Bolt
45	1	028-6060-00	Outlaw Panhard Link
46	6	019-8054-00	.505 Nylon Spacer
47	4	013-5300-00	1/2" Flange Nut
48	2	031-6010-00	Deck Arm Assembly
49	2	018-1090-00	1/2" x 5 1/2" Bolt
50	2	018-6037-00	1/2-13X 2-1/4 GR Hex Bolts
51	2	014-7204-00	72 Spindle Cover
52	4	045-6043-00	5/16" Knob
53	1	041-0202-00	B202 Belt for 72" Outlaw
54	4	032-5056-00	Flange Bushing For Deck Arm upper
55	4	032-5057-00	Flange for Lower Deck Arm
56	1	039-6945-98	Deck Idler Complete Assembly- Componets 29,34,37,58,59
57	6	037-8001-00	Double Bearing For Spindle
58	1	025-5203-00	3/4 OD x 1/2 ID x 3/4 Length
59	1	018-7016-00	1/2-13 x GR 5 Hex Bolt Zinc



091-6059-00
Z 29 Pro Series Decal



091-3023-00
30hp Pro Series Decal



091-0852-00
Z 852cc Pro Series Decal



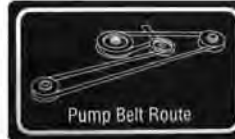
091-0036-00
Z 36hp Pro Series Decal



091-0054-00
54" Deck Decal-ADS



091-3309-00
Deck Belt Route Decal



091-3017-00
Pump Belt Route Decal



091-4000-00
Domed Label



091-0061-00
61" Deck Decal- ADS



091-3080-00
Outlaw Decal Cluster



091-3012-00
Danger Decal- Spindle/Discharge



091-1020-00
hydraulic tank



091-3019-00
72" Deck Decal-ADS



091-3100-00
Outlaw Deck Height Decal



091-3060-00
Swing-Away Patent Decal-



091-3150-00
Outlaw Warning Decal

**2012 LIMITED WARRANTY
FOR
BAD BOY COMMERCIAL MOWER
(CZT, DIESEL, OUTLAW, OUTLAW EXTREME, and OUTLAW XP)**

1. WHAT THIS WARRANTY COVERS, AND FOR HOW LONG:

Bad Boy, Inc. will, at its option, repair or replace, without charge, any part covered by the warranty which is found to be defective in material and/or workmanship within one (1) year* after date of sale to the original retail purchaser unless the product is used for rental purposes, in which case this warranty is limited to ninety (90) days.

The hydrostatic drive components, deck spindle assemblies, and the PTO clutch will be warranted for two full years from the date of sale to the original retail purchaser against defects in materials and workmanship. Labor required to repair or replace components of the hydrostatic drive system, deck spindle assemblies, or the PTO clutch will be covered by Bad Boy, Inc. for the first year, and at the unit owner's expense during the second year from the original purchase date.

The leading edge of the deck shell will be warranted for the entire lifetime of the machine to the original purchaser against defects in materials and workmanship. Labor required to repair or replace the leading edge of the deck shell will be covered by Bad Boy, Inc. for the first year and at the unit owner's expense during the balance of the lifetime of the machine.

The Bad Boy ZT Series, featuring the Integrated Zero Turn Transaxle, used commercially will carry the shorter of a one year or 200 hour warranty, parts only. Labor on a Bad Boy ZT Series machine used commercially will not be covered by Bad Boy Inc. and will be the unit owner's responsibility.

Belts are warranted for a period of ninety (90) days against materials or workmanship defects.

At Bad Boy, Inc.'s request, customer will make the defective part available for inspection by Bad Boy, Inc. and/or return the defective part to Bad Boy, Inc., transportation charges prepaid.

Labor required to repair or replace warranted components will be covered for 1 year from the original purchase date, regardless of how much longer the part may be warranted.

2. WHAT THIS WARRANTY DOES NOT COVER:

- A. This warranty does not cover defects caused by depreciation or damage caused by normal wear, accidents, improper maintenance, improper use or abuse of the product, alterations, or failure to follow the instruction contained in the Owner's Manual for operation and maintenance.
- B. The customer shall pay any charges for making service calls and/or for transporting the mower to and from the place where the inspection and/or warranty work is performed.
Bad Boy Inc will not be responsible for the pickup and delivery of a machine for warranty purposes.
- C. **Engines** are warranted separately by their respective manufacturer. The available warranties covering this item are furnished with each mower. Bad Boy, Inc. does not assume any warranty obligation, liability or modification for this item, which is covered exclusively by the stated warranty of the respective manufacturers.
- D. **Tires, blades, deck anti-scalping wheels and hoses** are considered to be consumable wear items and are therefore **not** warranted.
- E. **Batteries** are warranted for six months (**free replacement**) from the retail purchase date against materials or workmanship defects. ***The battery warranty must be obtained through the battery manufacturer.***

3. HOW TO OBTAIN SERVICE UNDER THIS WARRANTY:

- A. Warranty service can be arranged by contacting the dealer where you purchased the mower or by contacting Bad Boy, Inc. Proof of the date of purchase may be required to verify warranty coverage.
- B. **Warranty claims will not be reviewed or paid unless the warranty registration card is received by Bad Boy, Inc. within 30 days of the retail purchase date.**

4. WARRANTY LIMITATION:

- A. **THERE IS NO OTHER EXPRESS WARRANTY. ANY WARRANTY THAT MAY BE IMPLIED FROM THIS PURCHASE INCLUDING MERCHANTABILITY AND FITNESS FOR A PARTICULAR PURPOSE IS HEREBY LIMITED TO THE DURATION OF THIS WARRANTY AND TO THE EXTENT PERMITTED BY LAW ANY AND ALL IMPLIED WARRANTIES ARE EXCLUDED.** Some states do not allow limitations on how long an implied warranty lasts, so the above limitations may not apply to you.
- B. **BAD BOY, INC. WILL NOT BE LIABLE FOR ANY INCIDENTAL, CONSEQUENTIAL, OR SPECIAL DAMAGES AND/OR EXPENSES IN CONNECTION WITH THE PURCHASE OR USE OF THE MOWER.** Some states do not allow the exclusion or limitation of incidental or consequential damages, so the above limitation(s) or exclusion(s) may not apply to you.
- C. Only the warranty expressed in this limited warranty shall apply and no dealer, distributor, or individual is authorized to amend, modify, or extend this warranty in any way. Accordingly, additional statements such as dealer advertising or presentations, whether oral or written, do not constitute warranties by Bad boy, Inc., and should not be relied on.
- D. This warranty extends only to turf equipment operated under normal conditions and properly serviced and maintained. The warranty expressly does not cover (i) any defects, damage or deterioration due to normal use, wear and tear, or exposure; (ii) normal maintenance services such as oil change, cleaning, lubrication, adjustment; (iii) replacement of services, items, such as oil, lubricants, spark plugs, belts, rubber hoses or other items subject to normal service replacement; (iv) damage or defects arising out of or relating to misuse, neglect, alteration, negligence or accident; (v) repair or replacement arising from operation of or use of the turf equipment which is not in accordance with operating instructions as specified in the operator's manual or other operational instructions provided by Bad Boy Inc.; (vi) repair or replacement arising as a result of any operation from turf equipment that has been altered or modified so as to, indetermination of Bad Boy, Inc., adversely affect the operation, performance or durability of the equipment or that has altered, modified or affected the turf equipment so as to change the intended use of the product; (vii) repair or replacement necessitated by use of parts, accessories or supplies, including gasoline, oil or lubricants, incompatible with the turf equipment or other than as recommended in the operator's manual or other operational instructions provided by Bad Boy, Inc.; (viii) repairs or replacements resulting from parts or accessories which have adversely affected the operation, performance or durability of the turf equipment; or (ix) damage or defects due to or arising out of repair of turf equipment by person or persons other than an authorized Bad Boy, Inc., service dealer or the installation of parts other than genuine Bad Boy, Inc., recommended parts.
As a condition to this warranty, customer shall have read the operator's manual and shall have returned to Bad Boy, Inc., within the prescribed time, the enclosed warranty registration card.
- E. This warranty gives you specific legal rights, and you may also have other rights, which vary from state to state.



Bad Boy, Inc.
102 Industrial Drive
Batesville, AR 72501
1.866.622.3269
www.badboymowers.com

Technical Support:

Brad Covington brad.covington@badboymowers.com
 Taylor Prince taylor.prince@badboymowers.com
 James Russell james.russell@badboymowers.com

Warranty:

Dustin Tissiere dustin@badboymowers.com

Parts:

Brad Foree brad@badboymowers.com
 Robert Patterson robert.patterson@badboymowers.com

Cut and Mail or Fill Out Online under 'Owners' at www.badboymowers.com

WARRANTY REGISTRATION

Full Name _____

Address _____

City _____

State _____ Zip _____

SERIAL #

Purchase Date _____ Telephone _____

Purchased From _____

"I certify that I have been properly instructed on operating this machine."



For additional information, please see us at
www.badboymowers.com

Bad Boy, Inc.
102 Industrial Drive
Batesville, Arkansas 72501
(870) 698-0090

Cut and Mail or Fill Out Online under 'Owners' at www.badboymowers.com

*Place Stamp
Here*

*POST OFFICE
WILL NOT DELIVER
WITHOUT POSTAGE*



BAD BOY MOWERS

102 Industrial Drive
Batesville, AR 72501