



**BAD BOY
MOWERS**



REVOLT STAND ON

ZERO-TURN MOWER OWNER'S OPERATOR SERVICE AND PARTS MANUAL

For additional information, please see us at
www.badboymowers.com



TABLE OF CONTENTS

Basic Information	Section 1	Page 4
Bad Boy Safety Guidelines.....	Section 2	Page 5
Mower Operation.....	Section 3	Page 9
Maintenance.....	Section 4	Page 10
Storage and Transportation.....	Section 5	Page 10
Troubleshooting and FAQ	Section 6	Page 12
Controls.....	Section 7	Page 13
Moving In-operable Mower.....	Section 8	Page 14
Instrumentation	Section 9	Page 14
Mower Blade Maintenance.....	Section 10	Page 15
Equipment Lubrication.....	Section 11	Page 15
How To Choose the Right Blade		Page 16
Mowing Tips		Page 17
Service Section		Page 18
Parts Section.....		Page 34
Limited Warranty.....		Page 56



THIS MANUAL APPLIES TO THE FOLLOWING EQUIPMENT:

BAD BOY REVOLT SERIES

BRV 3600 36" 726cc Kawasaki FX691V
 BRV 4800 48" 726cc Kawasaki FX730V
 BRV 5400 54" 852cc Kawasaki FX850V
 BRV 5400 54" 810cc Briggs 28EFI
 BRV 6100 61" 852cc Kawasaki FX850V
 BRV 6100 61" 810cc Briggs 28EFI

COMMONLY USED ITEMS AND PART NUMBERS

36" Blade	Hi-Lift Fusion 038-3010-00	Gator Blade	Wave Blade
48" Blade	Hi-Lift Fusion 038-4826-00	Gator Blade 038-5000-00	Wave Blade 038-4825-00
54" Blade	Hi-Lift Fusion 038-0001-00	Gator Blade 038-0003-00	Wave Blade 038-5220-00
61" Blade	Hi-Lift Fusion 038-6080-00	Gator Blade 038-6081-00	Wave Blade 038-6090-00
36" Deck Belt	041-8054-00		
48" Deck Belt	041-5200-00		
54" Deck Belt	041-0120-00		
61" Deck Belt	041-4022-00		
36" Pump Belt	041-8000-00		
48", 54", & 61" Pump Belt	041-8052-00		
Oil Filter	063-8017-00		
Air Filter	Inner Air Filter 063-8020-00	Outer Air Filter 063-8019-00	
Oil Filter	10W-30 Motor Oil - Bad Boy Synthetic Blend Motor Oil Recommended		
Hydraulic Oil	20W-50 Motor Oil - Bad Boy Hydrostatic Oil Recommended Approximately 2 quarts per side		



SECTION 1: BASIC INFORMATION

Congratulations on the purchase of your new Bad Boy Mower! The purpose of this manual is to assist operators in maintaining and operating their machine. The information and instructions in this manual can help you attain years of performance from your new Bad Boy. Also, check out our website to learn more about the Bad Boy family.

- 1.1 All Bad Boy engines use 10W-30 engine oil. For maximum protection, Bad Boy synthetic blend engine oil is recommended.
- 1.2 All Bad Boy hydraulic systems use 20W-50 engine oil (Conventional or Synthetic). Bad Boy Hydrostatic oil is recommended.
- 1.3 All Bad Boy Mowers use hi-temp multi-purpose grease. NLGI No. 2 for the grease fittings.
- 1.4 REVOLT models have 12 psi in both front and rear tires.
- 1.5 Most Briggs, Kohler, Kawasaki, and Vanguard engines hold approximately two (2) quarts of motor oil. Be careful not to over fill engine oil. Refer to engine's service manual.

WARRANTY REGISTRATION

The Warranty Registration form must be completed within 30 days to validate your warranty. As the new equipment owner, you are expected to see that the form is completed and forwarded to Bad Boy Inc. at time of delivery. Warranty is nontransferable. **Warranty registration should be completed by the selling dealership using the on-line registration site.**

MODEL/SERIAL NUMBER

Your Revolt model serial numbers are found on the SIN plate inside podium. Also, these numbers can assist you in the ordering of new parts when replacements become necessary.

PARTS/SERVICE

Only Bad Boy replacement parts are to be used on your mower. Replacement parts are available through your local Bad Boy Mower Dealer. Remember to always provide the following information when ordering parts:

1. Correct part number
2. Correct serial number

All warranty repair and service must be handled through your authorized Bad Boy Mowers dealer. To locate the nearest dealer, go to our website and click on Locate a Dealer.

EVAPORATIVE EMISSION CONTROL WARRANTY STATEMENT

Federal Evaporative Emission Control Warranty: Your Warranty Rights and Obligations

The Environmental Protection Agency (EPA), and Bad Boy Inc. are pleased to explain the evaporative emission control system's warranty on your 2020 equipment. New equipment that uses spark ignition engines for off-road use must meet stringent anti-smog standards. The evaporative emission control system on your equipment is designed, built, and equipped so it conforms at the time of sale to the ultimate purchaser with the requirements of 40 CFR 1060. The evaporative emission control system is free from defects in materials and workmanship that may keep it from meeting said requirements. Bad Boy Inc. must warrant the evaporative emission control system on your equipment for two years provided there has been no abuse, neglect, or improper maintenance. If an evaporative emission control system component does fail in a manner that would cause the equipment to no longer meet the requirements of 40 CFR 1060 within the first two years Bad Boy Inc. will replace the defective component. Your evaporative emission control system may include parts such as fuel tanks, fuel lines, carbon canisters, fuel caps, valves, vapor hoses, clamps, or connectors.



SECTION 2: MOWER SAFETY GUIDELINES

Never allow untrained people to operate this machine. It is the owner's responsibility to get training and see to it that anyone who has permission to use your machine receives the proper training. Do not mow around people. The factory discharge chute is designed to deflect debris downward, but it could be possible for debris to be thrown in a way that can cause damage to people or property. Seek additional training when possible to learn more about safety techniques and practices. **This cutting machine is capable of amputating hands and feet and throwing objects. Failure to observe the following safety instructions could result in serious injury or death.**

GENERAL OPERATION

- 2.1 Read, understand, and follow all instructions on the machine and in the manual before starting.
- 2.2 Do not put hands or feet near rotating parts or under the machine. Keep clear of the discharge opening at all times.
- 2.3 Only allow responsible adults who are familiar with the instructions to operate this machine.
- 2.4 Clear the area of objects such as rocks, wire, toys etc., which could be thrown by the blades
- 2.5 Always maintain a safe distance from people and pets just prior to, and during, operation. Stop the machine if anyone enters the area.
- 2.6 Never carry passengers.
- 2.7 Do not mow in reverse unless absolutely necessary. Always look down and behind before and while backing.
- 2.8 Never direct discharged material toward anyone. Avoid discharging material against a wall or obstruction as material may ricochet back toward the operator. Stop the blades when crossing gravel surfaces.
- 2.9 Never operate the machine without the discharge chute, grass catcher, or other safety devices correctly in place and functioning properly.
- 2.10 Slow down before turning.
- 2.11 Always disengage blades, place steering controls in neutral, engage parking brake, and remove ignition key when leaving operators seat. Never leave a running machine unattended.
- 2.12 Disengage blades when not mowing. Shut off engine and wait for all parts to come to a complete stop before cleaning the machine, inspecting the machine for damage, removing the grass catcher, or unclogging the discharge guard.
- 2.13 Always operate machine in daylight or with adequate working lights.
- 2.14 Do not operate the machine while under the influence of alcohol or drugs.
- 2.15 Watch for traffic when operating near or crossing roadways.
- 2.16 Always wear eye protection when operating or servicing the machine.
- 2.17 Always wear ear protection, such as earplugs, while mowing.
- 2.18 Use extra care when loading or unloading the machine into a trailer or truck.
- 2.19 Be alert of surroundings. Watch for rocks, stumps, mounds, depressions, and low hanging limbs or objects that could be potentially hazardous while mowing.
- 2.20 Data indicates that operators 60 years of age and above are involved in a large percentage of riding mower related injuries. These operators should periodically evaluate their ability to operate the riding mower safely enough to protect themselves and others from serious injury.
- 2.21 Prevent fires by keeping engine and exhaust areas clear of grass clippings and other debris. Do not park or back mower over or immediately adjacent to flammable materials.



SLOPE OPERATION

Slopes are a major factor related to loss of control and tip over accidents, which can result in severe injury or death. Operation on all slopes requires extra caution. If you cannot back up the slope, or you feel uneasy on it, do not mow it.

- 2.22 Mow up and down slopes, not across.
- 2.23 Watch for holes, ruts, bumps, rocks, or other hidden objects that tall grass can obscure. Uneven terrain could overturn the machine.
- 2.24 Choose a low ground speed when operating the machine on a slope.
- 2.25 Do not mow on wet grass, the tires may lose traction.
- 2.26 Do not attempt to coast down a slope in the neutral position.
- 2.27 Avoid starting, stopping, or turning on a slope. If the tires lose traction, disengage the blades and proceed slowly, straight down the slope.
- 2.28 Keep all movement on slopes slow and gradual. Sudden changes in speed or direction could cause the machine to roll over.
- 2.29 Use extra care while operating machine with grass catchers or other attachments: they can affect the stability of the machine. Do not use on steep slopes.
- 2.30 Do not try to stabilize the machine by putting your foot on the ground.
- 2.31 Do not mow near drop offs, ditches or embankments. The machine could suddenly roll over if a wheel goes over the edge or the edge caves in.
- 2.32 Be aware of what is located at the bottom of slopes. For example: rocks water, cliffs, and roadways.

CHILDREN

Tragic accidents can occur if the operator is not alert to the presence of children. Children are often attracted to the machine and the mowing activity. NEVER assume that children will remain where you last saw them.

- 2.33 Keep children out of the mowing area and in the watchful care of a responsible adult other than the operator.
- 2.34 Maintain Alertness and turn machine off if a child enters the area.
- 2.35 Before and while backing, look behind and down for small children.
- 2.36 Never carry children, even with blades shut off. They may fall off and be seriously injured or interfere with safe machine operation. Children who have been given rides in the past may suddenly appear in the mowing area for another ride and be run over or backed over by the machine.
- 2.37 Never allow children to operate the machine.
- 2.38 Never leave the key in the ignition, especially around children.
- 2.39 Use extreme care when approaching blind corners, shrubs, trees, or other objects that may block your view of a child



TOWING

- 2.40 Tow only with a machine that has a hitch specifically designed for towing. Do not attach towed equipment except at the hitch point.
- 2.41 Follow the manufacturer's recommendation for weight limits for towed equipment and towing on slopes.
- 2.42 Never allow children or others in or on towed equipment.
- 2.43 On slopes, the weight of the towed equipment may cause loss of traction and loss of control.
- 2.44 Travel slowly and allow extra distance to stop.

SERVICE

SAFE HANDLING OF GASOLINE

To avoid personal injury or property damage, use extreme care in handling gasoline. Gasoline is extremely flammable and the vapors are explosive.

- 2.45 Extinguish all cigarettes, cigars, pipes, and all other sources of ignition.
- 2.46 Use only an approved gasoline container.
- 2.47 Never remove gas cap or add fuel with the engine running.
- 2.48 Allow engine to cool before refueling.**
- 2.49 Never fuel the machine indoors.
- 2.50 Do not store machine near open flame or source of ignition, such as a water heater or furnace.
- 2.51 Remove gas powered equipment from the truck or trailer and refuel it on the ground. If this is not possible, then refuel such equipment with a portable container, rather than from a gasoline dispenser nozzle.
- 2.52 Never fill gasoline containers inside a vehicle or on a truck or trailer bed with a plastic liner. Always place containers on the ground away from your vehicle before filling.
- 2.53 Keep the nozzle in contact with the rim of the fuel tank or container opening at all times until the fueling is complete. Do not use a nozzle lock-open device.
- 2.54 If fuel is spilled on clothing, change clothing immediately.
- 2.55 Never overfill fuel tank. Replace gas cap and tighten securely. **Tank is full when level reaches bottom of fill tube.**

GENERAL SERVICE

- 2.56 Never operate machine in a closed area where dangerous carbon monoxide fumes can collect.
- 2.57 Keep all nuts and bolts tight to be sure the equipment is in safe working condition. Never operate a poorly maintained machine.
- 2.58 Do not touch hot areas of the machine.
- 2.59 Never interfere with the intended function of a safety device or reduce the protection provided by a safety device. Check their proper operation regularly.
- 2.60 Keep the entire machine free of grass, leaves, or other debris build up. Clean up oil or fuel spillage and remove any fuel-soaked debris. Failure to do so can affect the safety and functionality of the machine, as well as increase the danger of a fire due to contact with the hot surfaces of the machine.
- 2.61 Allow machine to cool before storing.
- 2.62 If you strike something with the mower, turn the mower and blades off, engage the parking brake, and inspect the machine for damage. Repair, if necessary, before resuming.
- 2.63 Never make any adjustments or repairs with the engine running.



- 2.64 Check grass catcher components and the discharge guard frequently and replace with manufacturer's recommended parts, when necessary.
- 2.65 Mower blades are sharp. Wrap the blade or wear gloves before servicing them.
- 2.66 Check parking brake operation frequently. Adjust and service as required.
- 2.67 Maintain or replace safety and instruction labels, as necessary.
- 2.68 Do not attempt to mount a tire without the proper equipment and experience to perform the job.
- 2.69 Always maintain the correct tire pressure. Do not inflate the tires above the recommended pressure. Never weld or heat a wheel and tire assembly. The heat can cause an increase in air pressure resulting in a tire explosion. Welding can structurally weaken or deform the wheel.
- 2.70 Park machine on level ground. Never allow untrained personnel to service machine. Understand service procedure before doing work.
- 2.71 Mower deck, frame, and engine compartment should remain free of debris to prevent premature parts failures or fire hazards.

SAFETY INTERLOCK SYSTEM

Your Bad Boy mower is equipped with a safety interlock system. This system is designed to prevent serious injury or death to the operator and other people or property damage. The system consists of an operator presence switch in the platform, the parking brake, drive lever neutral position, the mower blade engagement switch, and the ignition switch. These interlocks are vitally important and must be tested frequently. Following are instructions to test these very important safety precautions. **Note: the operator must be standing properly on the machine during these tests and the engine should have been previously allowed to warm to operating temperature.**

- 2.72 With the parking brake engaged, operator standing on the platform, blade actuator in the off position, push the drive lever arms forward. The machine should not start.
- 2.73 With the parking brake engaged, operator standing on the platform, blade actuator in the off position, push the drive lever arms rearward. The machine should not start.
- 2.74 On a level surface, disengage the parking brake, operator standing on the platform and allow the drive lever arms to rest in neutral. Attempt to start the machine with the blade actuator in the off position. The engine should not start.
- 2.75 Engage parking brake, operator standing on the platform, and place drive lever arms in neutral. Place blade actuator in the **ON** position, attempt to start the machine. Engine should not start.
- 2.76 Now start the engine as stated in the Mower operation section. Disengage the parking brake, place blade actuator in the ON position and very slowly transfer your weight from the platform to the ground. Caution should be exercised at all times when in the presence of any mower that is running. **The engine should stop. Should the engine not shut down upon stepping off the mower, immediately return to the platform and shut the engine off via the key switch. Contact your Bad Boy dealer immediately to have serviced.**

If any of these tests fail to produce the results indicated and the problem cannot be identified, contact your Bad Boy Mower dealer or the support contacts in the rear of this manual.



SECTION 3: MOWER OPERATION

Never operate the machine with faulty equipment. Always be alert of sudden changes in landscape, as the mower will react differently on slopes or embankments than it will on flat surfaces. Never operate the mower with the discharge chute open. Do not cross terrain, other than grass, with blades turning. This could cause damage to property or bystanders.

- 3.1 Ensure parking brake is engaged.
- 3.2 Ensure drive arms are in neutral position.
- 3.3 Stand on the rider platform.
- 3.4 Put PTO switch in the OFF position.
- 3.5 If machine has not been started recently, engage the choke.
- 3.6 Make sure nothing is under or around machine.
- 3.7 Place key in ignition and turn.
- 3.8 Once machine is started, disengage the choke.
- 3.9 Increase RPM by sliding the throttle to fast position, toward the rabbit.
- 3.10 Owners must become familiar with the controls before operating a zero-turn radius vehicle.
- 3.11 Start slowly and build your skill level. Have ample practice before using the machine at full capabilities.
- 3.12 Be comfortable with machine before engaging blades. Know what each component controls before using machine.
- 3.13 Your mower will perform differently on an incline /decline. Be cautious, slow down, and do not make any sudden jerking movements with control arms. The machine could lose traction on a decline or tip backwards on an incline.
- 3.14 Once you become comfortable with your Bad Boy Mower you will notice your overall mowing time will decrease.

***Avoid operating your mower on side hills of over 5 degrees,
inclines of over 10 degrees,
and declines of over 15 degrees.***



BAD BOY MOWERS

SECTION 4: MOWER MAINTENANCE

Maintenance	Interval					Section
	Daily	First 8 Hours	Every 50 Hours or Annually*	Every 100 Hours or Annually*	Every 250 Hours	
Check and add engine oil	●					Section 3
Check all belts for proper alignment	●					Section 2 (Pump) 6 (Deck)
Check tire pressure and wheel lug nuts	●					Section 5
Check battery terminal connections	●					Section 4
Check condition of blades	●					Section 6
Check for fuel and oil leakage	●					Section 3
Check deck and engine compartment for debris and clean as necessary	●					
Check air filters	●					
Initial oil change		●				Section 3
Tighten nuts and screws			●			
Change engine oil and filter			●			Section 3
Initial change of hydraulic oil and filter			●			Section 1
Grease mower				●		Section 5
Replace air element and pre-cleaner [♦]				●		Section 3
Replace fuel filter [♦]				●		Section 3
Clean or replace spark plugs and set gap				●		Section 3
Change hydraulic oil and filter					●	Section 1
Clean combustion chamber ^{Dealer}					●	
Check and adjust valve clearance ^{Dealer}					●	
Clean and lap valve seating surface ^{Dealer}					●	

*Maintenance by hour or annually whichever comes first

[♦]Check air and fuel filter more often in dusty conditions

^{Dealer}Get maintenance performed at a registered dealership

SECTION 5: MOWER STORAGE & TRANSPORTATION

- 5.1 Keep machine from collecting debris by storing in a covered area while not in use.
- 5.2 Fuel can harm your machine if left for more than 30 days without changing, especially if the fuel contains ethanol. Never use fuel with more than 10% ethanol by volume. E-15 is not permitted.
- 5.3 Disconnect the negative battery cable when machine will be stored for more than 30 days.
- 5.4 Always secure machine properly when transporting machine.
- 5.5 Do not load machine on trailer with blades engaged.
- 5.6 Do not use ramps to load the machine.
- 5.7 Make sure Parking Brake is in "ON" position.
- 5.8 In wet conditions tires may spin while loading / unloading. If necessary, wait for dry conditions before loading/unloading.
- 5.9 Make sure mode of transportation is suitable to bear the weight of mower.
- 5.10 Deck height should be set at maximum before attempting to load.
- 5.11 Secure mower with at least two straps capable of securing weight of mower.
- 5.12 Always ensure mower engine and exhaust has cooled prior to parking inside building.



MAINTENANCE LOG

<i>Date:</i>	<i>Hours:</i>	<i>Performed:</i>
<i>Date:</i>	<i>Hours:</i>	<i>Performed:</i>
<i>Date:</i>	<i>Hours:</i>	<i>Performed:</i>
<i>Date:</i>	<i>Hours:</i>	<i>Performed:</i>
<i>Date:</i>	<i>Hours:</i>	<i>Performed:</i>
<i>Date:</i>	<i>Hours:</i>	<i>Performed:</i>
<i>Date:</i>	<i>Hours:</i>	<i>Performed:</i>
<i>Date:</i>	<i>Hours:</i>	<i>Performed:</i>
<i>Date:</i>	<i>Hours:</i>	<i>Performed:</i>
<i>Date:</i>	<i>Hours:</i>	<i>Performed:</i>
<i>Date:</i>	<i>Hours:</i>	<i>Performed:</i>
<i>Date:</i>	<i>Hours:</i>	<i>Performed:</i>
<i>Date:</i>	<i>Hours:</i>	<i>Performed:</i>
<i>Date:</i>	<i>Hours:</i>	<i>Performed:</i>
<i>Date:</i>	<i>Hours:</i>	<i>Performed:</i>
<i>Date:</i>	<i>Hours:</i>	<i>Performed:</i>
<i>Date:</i>	<i>Hours:</i>	<i>Performed:</i>
<i>Date:</i>	<i>Hours:</i>	<i>Performed:</i>
<i>Date:</i>	<i>Hours:</i>	<i>Performed:</i>
<i>Date:</i>	<i>Hours:</i>	<i>Performed:</i>
<i>Date:</i>	<i>Hours:</i>	<i>Performed:</i>
<i>Date:</i>	<i>Hours:</i>	<i>Performed:</i>
<i>Date:</i>	<i>Hours:</i>	<i>Performed:</i>



SECTION 6: TROUBLESHOOTING

6.1 **Q: *How do I prevent an uneven cutting pattern and increase the quality of cut?***

A: Check tire pressure, check blade sharpness (replace blades or sharpen at least once per year or when needed), make sure blades are tightened properly, check spring and belt tension, check the underside of the deck to ensure the mower deck is free of grass build-up and debris, make sure your machine is at full throttle, and vary your mowing pattern each time you cut your grass.

6.2 **Q: *What should I do if my mower won't start?***

A: Check battery charge and connection (grounds), check your fuel (make sure fuel is less than 30 days old and contains no water), make sure your spark plug is in good condition and spark plug wire is attached, and make sure air filter is clean (a dirty filter makes it more difficult for the engine to draw air). Check the integrity of the 25-amp main fuse; also check for any bare wires and/or bad connections.

6.3 **Q: *What should I do if the blades won't engage?***

A: Make sure operator is on the platform and the safety switch is engaged. Check the underside of the PTO engager to ensure the plug is secure at switch.

6.4 **Q: *What type of fuel is recommended for my mower?***

A: We recommend that you use a name brand fuel to ensure quality. Use fuel with an octane rating near 87. Higher octane fuels offer no benefit. Only fuels with an ethanol content of 10% or less may be used. By law, E-15 fuel is not permitted. Usage of E-15 will result in premature engine failure.

6.5 **Q: *Do you offer touch-up paint for your mowers?***

A: Touch-up paint is available. Contact your local dealer for more information.

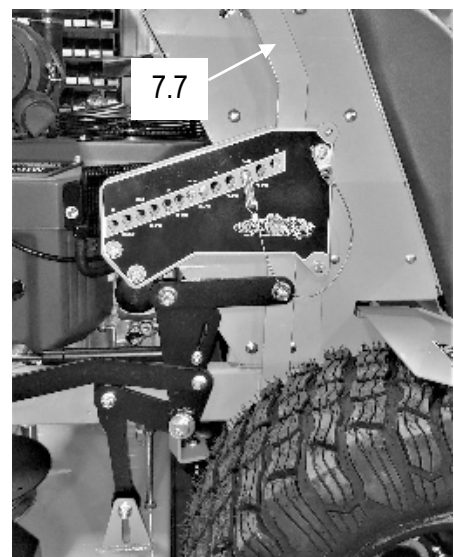
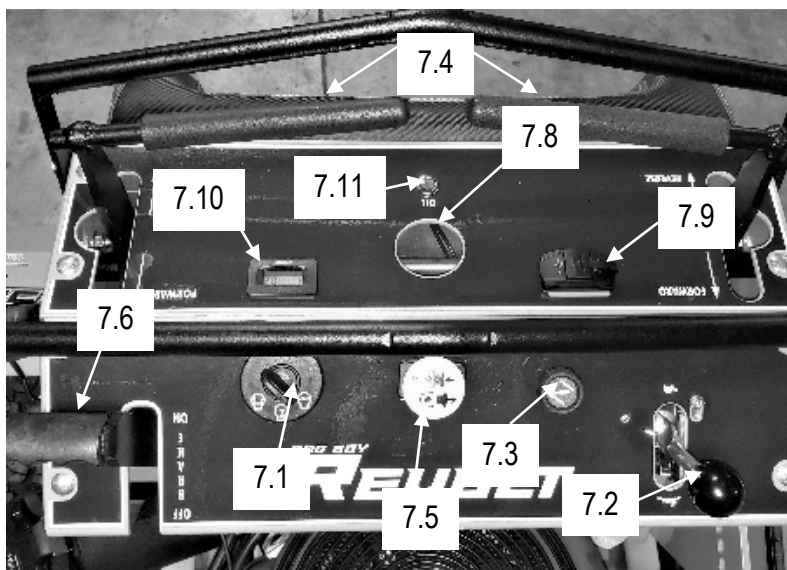
6.6 **Q: *How do I clean my mower?***

A: It is recommended that you use an air hose or blower to remove dust and debris from the mower, to ensure there is not a buildup of grass on the mower deck and engine compartment, which could become a fire hazard. If you must wash the mower, ensure you run the engine to operating temp to dry water and engage the blades to spin off any standing water on the pulleys. Avoid spraying water onto electrical components and bearings, to prevent premature failure of these parts.



SECTION 7: CONTROLS

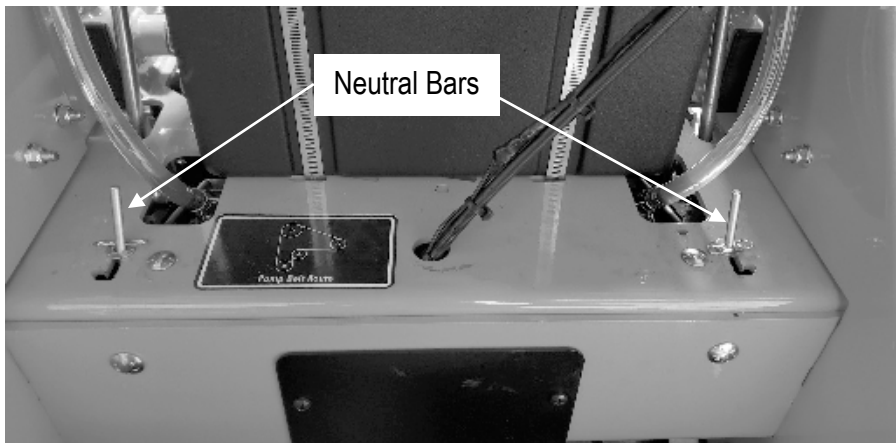
- 7.1 **Ignition Switch:** Bad Boy Mowers have a three-position ignition switch: off, run, and start. With key inserted, rotate it clockwise to START position and release key when engine starts, and switch will automatically return to the RUN position.
- 7.2 **Throttle Control:** A cable is connected to the engine throttle for controlling engine speed. Move lever forward to increase engine rpm, move lever backward to decrease engine rpm.
- 7.3a **Choke Control:** A cable is linked to manually operate the engine choke. When the lever is in the down position, the choke is in the off (run) position. When the lever is pulled up, the choke is in the on (start) position. Do not operate the machine in the on (start) position.
- 7.3b **MIL:** EFI machines contain a malfunction indicator light located in place of the choke control knob. This light indicates a malfunction in the electronic fuel injection system and requires **immediate** dealer service.
- 7.4 **Control Levers:** These levers control the mower's speed, direction, and neutral lock. These levers are used to steer, accelerate, decelerate and change direction. (Drive Arms)
- 7.5 **Blade Engage Switch:** This switch engages the blades. Pull the switch up to engage the blades and push the switch down to disengage the blades.
- 7.6 **Parking Brake:** To engage the parking brake pull the handle. To disengage push the lever forward into the "Off" position.
- 7.7 **Deck Lift Lever:** The deck height is controlled by the lever and set with a removable pin (as shown in the photograph). To raise the deck to its highest position, pull the lever to its rearward stop. The deck and lever will lock in this position. Choose the deck height by inserting the pin into the hole that corresponds to the desired cutting height. Standing on the operator's platform quickly pull back on the lever; this will disengage the locking mechanism and allow the lever to move forward until the chosen cut height is reached.
- 7.8 **Fuel Gauge:** The fuel gauge is located through a peep hole in the operator panel. From above, look down through the hole to monitor fuel level.
- 7.9 **USB Charging Port:** Your mower is equipped with a USB charging port for your accessory needs.
- 7.10 **Tachometer:** Shows engine RPM and logs engine running hours.
- 7.11 **Engine Oil Light:** Alerts user of low oil level situation when lit.





SECTION 8: MOVING INOPERABLE MOWER

- 8.1 Do not tow machine. Use a winch to load on a trailer for transporting.
- 8.2 REVOLT Models are equipped with two neutral engage/disengage arms, located at the rear of the mower protruding from the frame between the fuel tank and the cover panel. By pulling the arms towards the rear of the machine, the mower can be put in a neutral position. Return the arms to the “forward position” for normal operation.



- 8.3 Your Bad Boy Mower Weighs **Revolt: 750-950 lbs**
****Weights fluctuate with the addition of accessories.*

8.4 As you can see by the weights of the machines, you shouldn't ever try to push or pull a Bad Boy Mower by hand. This could cause serious bodily injury.

8.5 Hopefully, you'll never need to use this section of the manual. However, if you do, use extreme caution when moving machine!



SECTION 9: MOWER BLADE MAINTENANCE

- 9.1 Check mower blades after each use. This is essential for maintaining well-groomed turf. Keep the blades sharp. If a dull blade is used for cutting, the grass will tear rather than cut. This could damage the grass leaving a brown frayed top on the grass within a few hours. A dull blade will also require more power from the engine.
- 9.2 NEVER attempt to straighten a bent blade by heating. NEVER attempt to weld a cracked blade. The blades can break and cause serious injury or death.
- 9.3 NEVER work with blades while engine is running or deck clutch is engaged.
- 9.4 ALWAYS place deck clutch in DISENGAGE position while performing maintenance.
- 9.5 Use blocks when you MUST work under mower.
- 9.6 ALWAYS wear thick gloves when handling blades.
- 9.7 ALWAYS check for blade damage if mower strikes rock, branch, or other objects that could potentially damage the blade.

***(REMEMBER: NEVER CHECK BLADE WHILE ENGINE IS ON!
NEVER CHECK BLADES WHILE BLADES ARE ENGAGED!)***

SECTION 10: EQUIPMENT LUBRICATION

- 10.1 Park the machine on a level surface and disengage the blade control switch.
- 10.2 Move the motion control levers to the neutral position, engage parking brake, stop the engine, remove the key, and wait for all moving parts to stop before leaving the operating position.
- 10.3 Grease Type: NLGI grade #2 multi-purpose gun grease.
- 10.4 Clean the grease fittings with a cloth. Scrape any paint off the front of the fitting(s).
- 10.5 Connect a grease gun to each fitting. Pump grease into the fitting until grease seepage is observed. Be mindful of over-pressurization. Do not force the lever arm if there is strong back pressure as this can lead to reduced life of the component(s). Wipe up excess grease.
- 10.6 Refer to service manual section for grease fitting locations.



HOW TO CHOOSE THE RIGHT BLADE

Essentially there are only TWO basic styles of mowing blades used or approved for use on our current products:

1. The standard style of mowing blade is essentially designed for cutting grass and effectively discharging the clippings out from the deck to fall onto the lawn or to be captured in a grass collection system. Standard blades are also referred to as “2-in-1” (discharging & bagging) or “high-lift” blades (because they are designed to create a higher-lifting airflow).
2. Mulching blades generally have a more curved style surface and frequently include extra cutting surfaces along the blade edges. These blades may also come in a “+” design (which is actually two individual blades arranged in a perpendicular fashion to enhance mulching). The “+” blades are usually found on older style mowers; newer ones utilize blades with more advanced mulching technology. Mulching blades may also be referred to as “3-in-1” (mulching, discharging & bagging) or “all-purpose” blades.

Bear in mind that the re-circulating airflow design of 3/1 blades makes them less efficient at discharging grass clippings than a standard 2/1 blade. As with most all-purpose tools, there is some give and take as opposed to using a tool designed for a more specific purpose.

If you're experiencing less-than-desired cutting or discharging performance with a 3/1 blade, you may want to check into using a 2/1 blade. Conversely, if you're using a 2/1 blade and want to mulch clippings, you should see about the availability of mulching blades or a mulching kit. *

The type of blade installed on a new mower is a decision the retailer makes for each model of mower, based on the expected needs of most customers. If you're unsure of which blade is on a particular model, inspect the blade. Blades have part numbers stamped into them. Then compare these part numbers with the unit's Operator's Manual or Parts List.

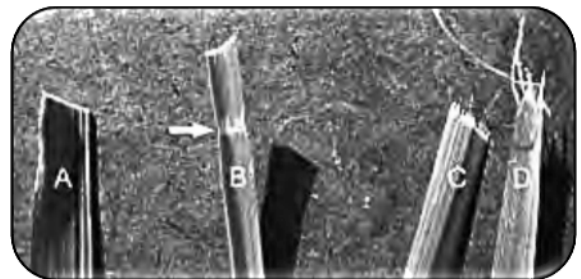
It is true there are many other styles of blades available. But since we don't manufacture or recommend using these other aftermarket styles, we will leave them out of this discussion. Should you want more information on special application or aftermarket blades, you should contact the companies that make these products. NOTE: Customers using non-OEM blades do so at their own risk. The use of unapproved (non-OEM) blades may void any or all of the mower and engine factory warranties.

* **MULCHING KITS** – These generally consist of mulching blades and a mulching plug (which closes off the discharge opening to keep the clippings contained under the deck for re-cutting) plus any necessary hardware for installation. Please check with your parts distributor regarding the contents of a particular mulching kit.



MOWING TIPS:

- Mow header strips at the ends of the lawn and around flower beds first. Make them wide enough that you can turn the mower around in the already mown section. Then mow back and forth between these header strips overlapping each lap by about 1/8 the width of the mower's deck.
- Don't cut your grass too short, particular for cool season grasses. Higher heights usually provide for a deeper root system, looks better, and is less likely to have weeds invading, particularly crabgrass.
- Don't remove any more than one third of the grass leaf at any one cutting. If circumstances arise that a lawn gets too tall and you just have to lop off a bunch to get caught up, bite the bullet and break it down into several mowings to get caught up with 3 or so days between cuttings.
- NEVER SCALP YOUR LAWN.** Scalping severely damages the root system to such a degree that it may die.
- Avoid mowing when the grass is wet or when it's dark
- Avoid throwing grass clippings into the street and driveway where they can be washed into the sewer system. After mowing, clean up driveway and walkways.
- When mowing remove only a third with each cutting (except for the first mowing of the season when it's ok to remove more). You can safely leave clippings that will quickly decompose and add nutrients back into the soil. Contrary to popular opinion, grass clippings do not add to thatch buildup. Grass blades are made up of about 75% water.
- Mow your lawn in a different direction with each mowing, especially with lawns of shorter grass types. Altering the direction ensures a more even cut since grass blades will grow more erect and less likely to develop into a set pattern.
- Keep your mower's blade sharp, which means having it sharpened several times during the mowing season. Keep several blades around so you'll always have a sharp one on hand. Sharp blades cut the grass cleanly and help mulch clippings into small pieces which break down quickly.
- Don't forget to change your mower's oil at least once during the mowing season. For brand new mowers, change the oil after about 5 hours of operation during the initial break-in period.
- At the end of the mowing season use a fuel stabilizer in the remaining gasoline
- In the spring, don't use that old gas unless you properly used a fuel stabilizer, it can cause a number of problems. Better to use fresh gasoline to begin the new mowing season.
- Leaf blade A** demonstrates what a leaf blade should look like after mowing with a sharp blade.
- Leaf blade B** demonstrates a leaf blade that was injured by a dull mower blade.
- Leaf blade C** was cut by the mower but indicates that the mower blade is not sharp enough. The shredded white tissue protruding from the leaf blades C and D is the vascular tissue of the plant.
- Leaf blade D** has been mown for quite some time with a dull mower blade.



TO BAG OR TO MULCH?

Grass clippings do not contribute to thatch buildup or increase the chances of disease. If you mow your lawn at the right height, without removing any more than 1/3 of its total height, clippings will quickly breakdown without a trace. These clippings contribute additional nitrogen and other nutrients to the soil and supply it with additional organic materials. Clippings from a 1000 sq. ft. lawn can add as much as 1 - 2 pounds of nitrogen back into the soil. If you have a compost pile, then you may want to bag your clippings occasionally to add much needed green-matter to the compost pile. Make sure it is mixed thoroughly with brown matter to avoid a strong ammonia odor. **DO NOT COMPOST CLIPPINGS** after applying any weed control or weed-feed type product. Before adding clippings to the compost pile wait at least 3 mowings after these products have been applied.



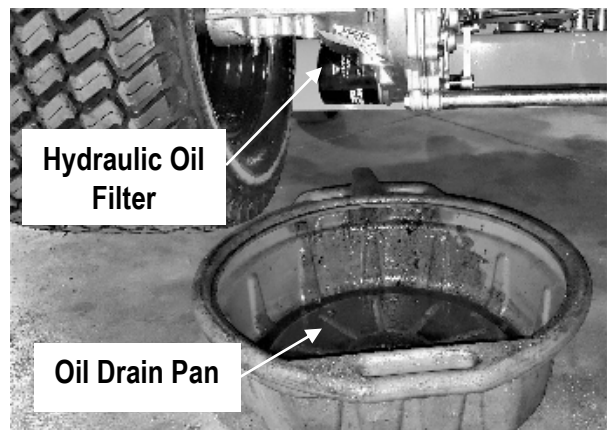
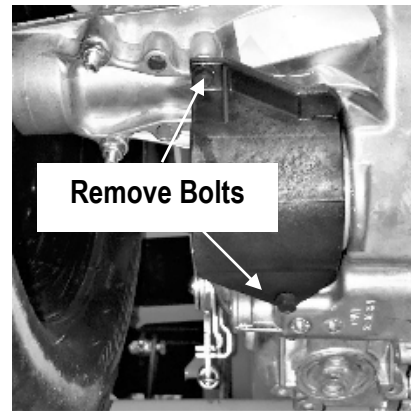
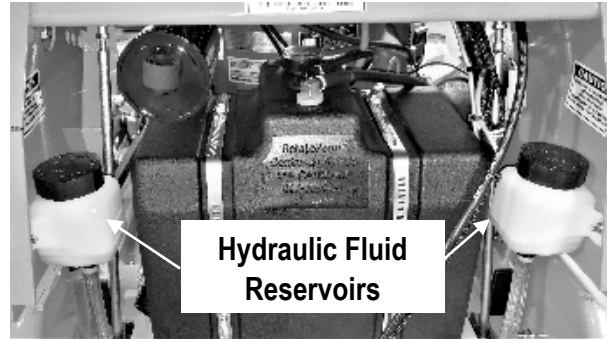
SERVICE SECTION

SECTION 1: HYDROSTATIC SYSTEM

The hydraulic fluid reservoirs are accessed by raising the seat forward. Notice the “full cold” line at the bottom of the tank. Use only 20W-50 motor oil in this tank. (Bad Boy Hydrostatic oil is recommended)

CHANGING YOUR HYDRAULIC OIL AND FILTER

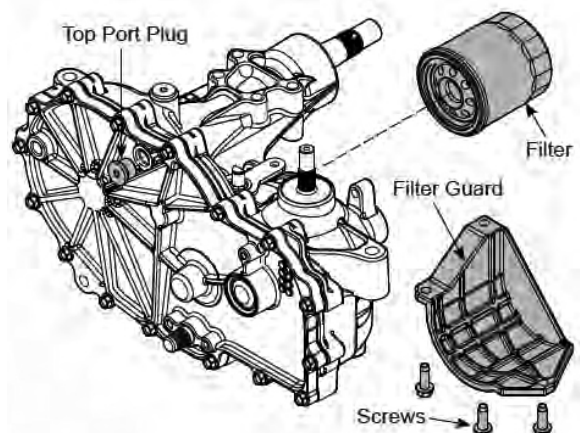
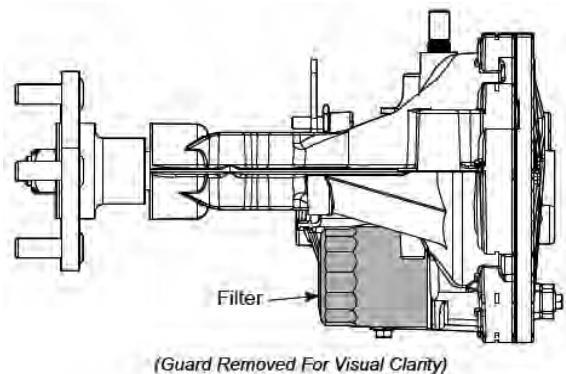
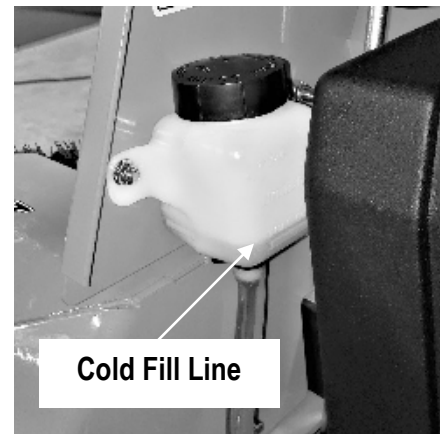
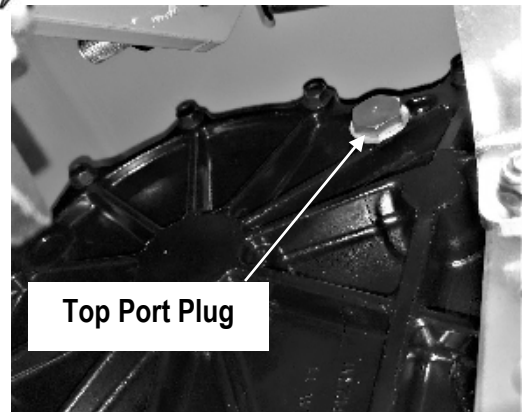
1. Remove the caps from the hydraulic fluid reservoirs and get an oil drain pan. Lifting the mower from the rear will make access to the transaxles easier and allow you to purge the air from the transaxles.
2. Remove the two 1/4" filter guard screws and filter guard from the transaxle. Clean any loose debris from around the perimeter of the filter.
3. Place the oil drain pan under the oil filter as the oil filter serves as the drain for the transaxle.
4. After the oil has drained, wipe the filter base surface off and apply a film of new oil to the gasket of the new replacement filter.
5. Install the new filter by hand, turn 3/4 to one full turn after the filter gasket contacts the filter base surface.
6. Re-install the filter guard with two 1/4" screws. Torque screws to 65 in. lbs. (7.3 Nm) each.
7. Repeat steps 1-6 on the opposite side transaxle drive.
8. Drain old oil filters of all free-flowing oil prior to disposal. Place used oil in appropriate containers and deliver to an approved recycling collection facility.
9. Remove the top port plug from the left side and right-side transaxles prior to filling with oil. This will allow the transaxles to vent during oil fill and prevent any air lock within the transaxles.





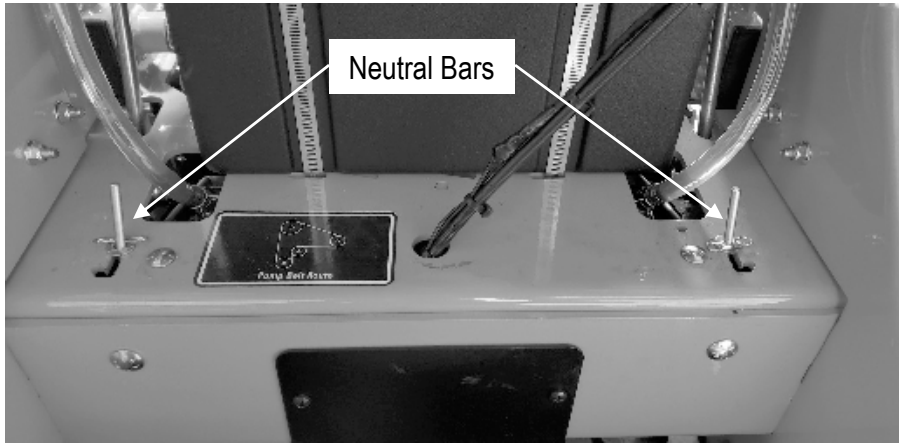
CHANGING YOUR HYDRAULIC OIL AND FILTER (CONTINUED)

10. Fill with 20W-50 motor oil (Bad Boy Hydrostatic oil is recommended) through the hydraulic fluid reservoirs until it just appears at the bottom of each transaxle's top port (approximately 2 quarts per transaxle, 4 quarts total). Install the top port plug into each transaxle as the oil level reaches this port.
11. Install and torque the top port plugs to 180 in. lbs. (20.3 Nm).
12. Continue to fill the transaxle through the hydraulic fluid reservoirs until the "Full Cold" line is reached on the hydraulic fluid reservoirs.
13. Re-install the caps on the hydraulic fluid reservoirs.
14. To purge the air from the transaxles, pull the neutral bypass rods located on each side of the muffler, and pin them into place. Lift the rear of the mower off the ground and start the engine.
15. Release parking brake, then slowly move the drive arms in the forward and reverse directions 5 to 6 times.
16. Take note the muffler will be hot. Push the neutral bypass levers back into place. Move the drive arms forward and backward 5 to 6 times slowly. Check the oil level and add oil as required after stopping the engine.
17. It may be necessary to repeat steps 15 and 16 until all the air is completely purged from the system. When the transaxle operates at normal noise levels and moves smoothly forward and backward at normal speeds, then the transaxle is considered purged.

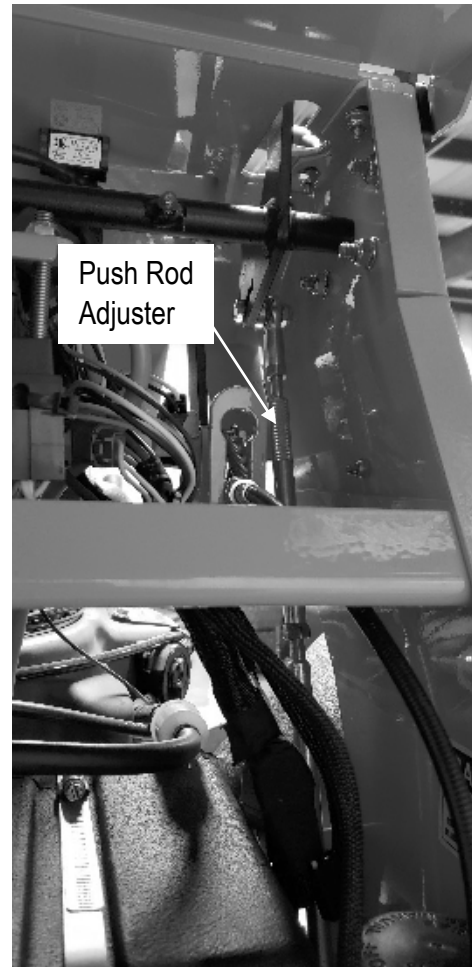




Under the rear of the mower, you will find the two levers shown in the image. These bypass levers serve as a neutral for moving the mower while the engine is not running. Pull the levers back and lock them into place to activate the bypass.



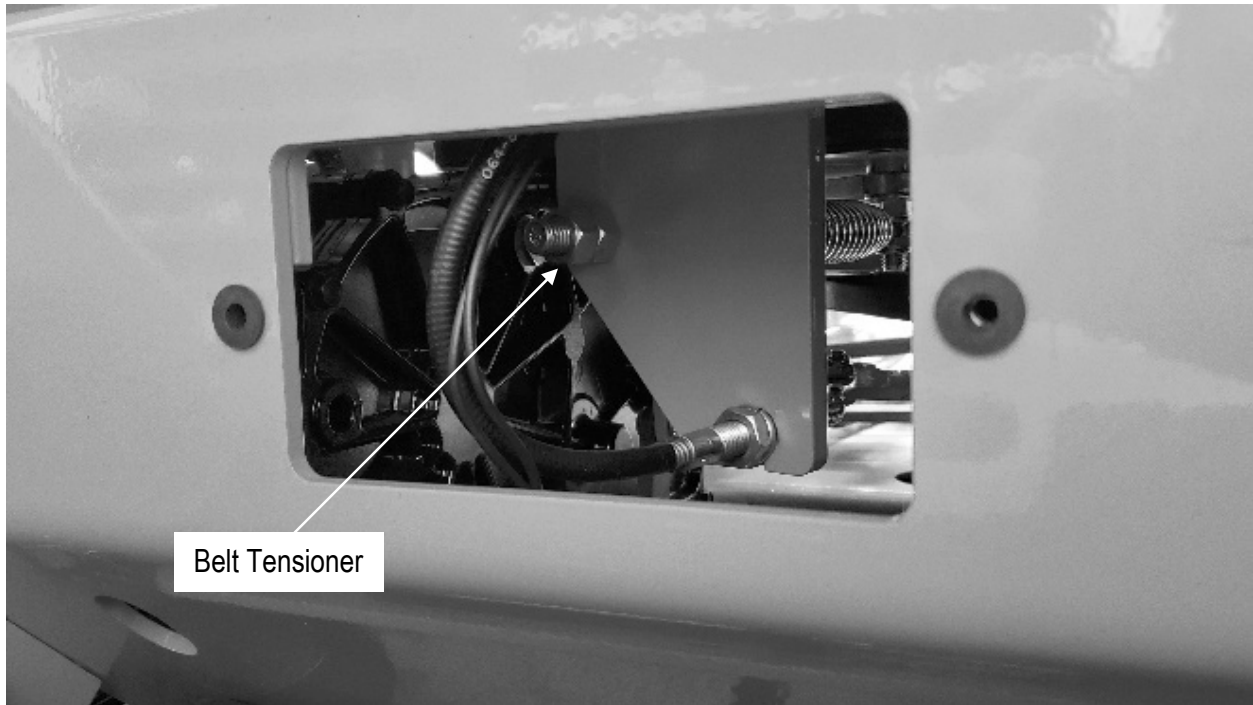
When adjusting the tracking on the mower, the length of the pushrods can be changed by screwing the push rod adjuster. Shortening the overall length of the rod slows the pump down. Lengthening the rod will increase the speed of the pump.





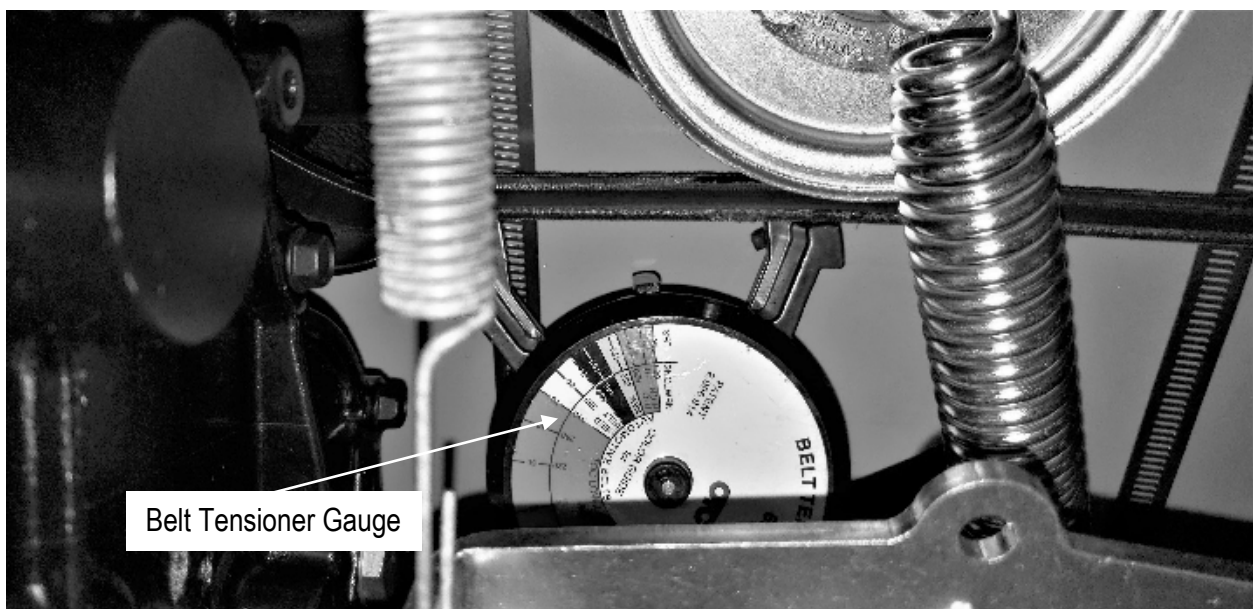
SECTION 2: DRIVE BELT

Shown on the right is a typical pump belt tensioner for your model mower. Pump belt tension is adjusted via the all-thread shown here. The two jam nuts on the all-thread allow the tension to be increased or decreased and locked back into position. Use a 3/4" wrench and a deep socket in order to loosen the two nuts. Tighten the outside nut if more belt tension is desired and loosen the outside nut if less belt tension is desired.



Belt Tensioner

The pump belt tension should be set between 60-65 lbs. This should be measured with a belt tension gauge. Your dealer or service center will have a belt tension gauge or you can buy one (Part Number 041-9999-00).



Belt Tensioner Gauge



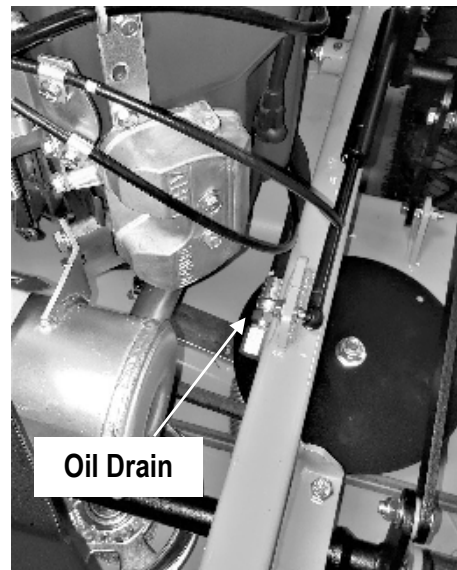
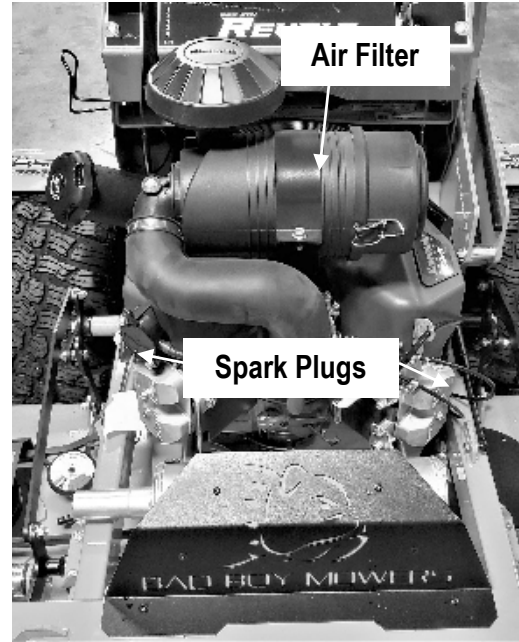
SECTION 3: ENGINE

ENGINE OIL

This machine has an oil drain hose installed on the engine to allow for easier oil changes. Bad Boy recommends that the oil and filter be changed after the initial 8 hrs. of use, and at intervals of 50 usage hours or yearly, whichever occurs first after that. The oil capacity is 2 quarts. Bad Boy 10W-30 synthetic blend engine oil is recommended for maximum protection.

CHANGING YOUR ENGINE OIL AND OIL FILTER

1. Remove oil dipstick and open oil drain. Allow oil to completely drain. (Make sure to have an oil pan ready to capture old oil and properly dispose old oil.)
2. Clean area around oil filter. Place a container under the oil filter to capture any oil and remove filter. Wipe off mounting surface and reinstall drain plug. Torque to 10 ft.*lbs.
3. Place new filter in shallow pan with open end up. Fill with new oil until oil reaches the bottom of the threads. Allow two minutes for oil to be absorbed by filter material.
4. Apply a thin film of clean oil to rubber gasket on new filter.
5. Refer to instruction on oil filter for proper installation.
6. Fill crankcase with approximately 2 quarts of new oil. Level should reach top of indicator on dipstick.
7. Reinstall oil filter dipstick and tighten securely.
8. Start engine; check for oil leaks. Stop Engine; correct oil leaks. Recheck oil level.
9. Dispose of used oil and filter in accordance with local ordinances.

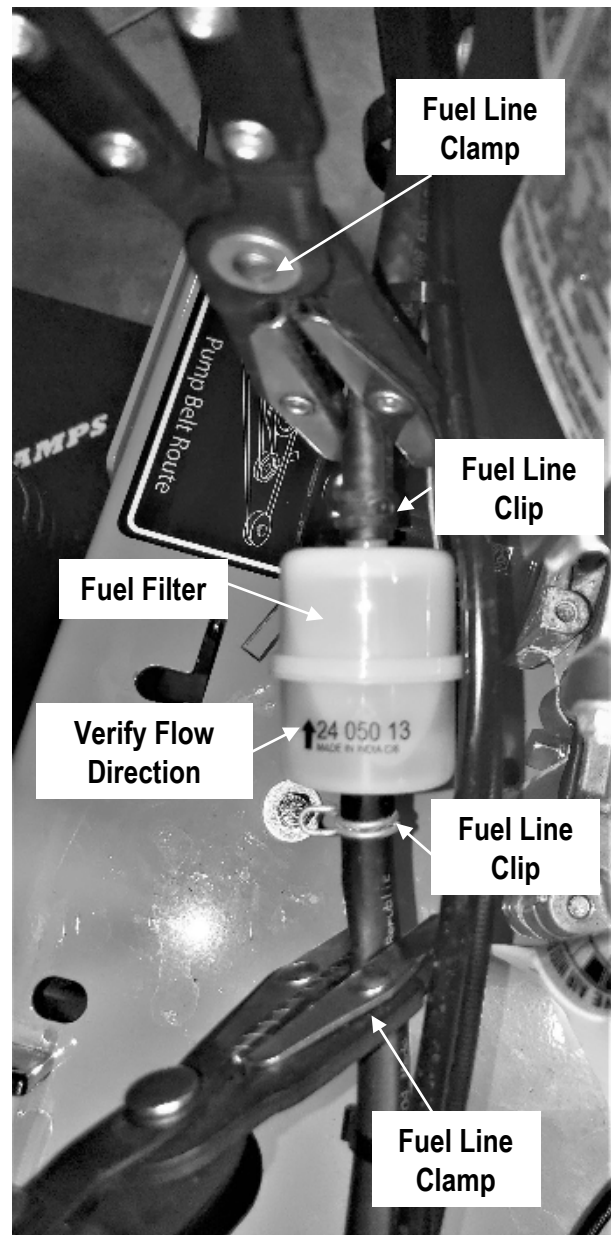


FUEL FILTER

The fuel filter is located in the fuel line. Replace the filter yearly. Prior to the removal of the old filter, note the direction of fuel flow as indicated on the filter. Have towels readily available in order to quickly remove any fuel leakage. Always use new hose clamps and ensure the security of the new filter by lightly pulling on each hose. Always perform maintenance outdoors or in a well-ventilated area. Do not smoke or allow any open flames in the vicinity of any maintenance activities.

CHANGING YOUR FUEL FILTER

1. Locate your fuel filter and mark the direction it is facing.
2. Clamp each side of the fuel filter to minimize any gas spills.
3. Remove the clips from each side of the fuel filter and remove the fuel filter.
4. Place the new fuel filter in the same direction as the old and place clips back into place.
5. Remove clamps.



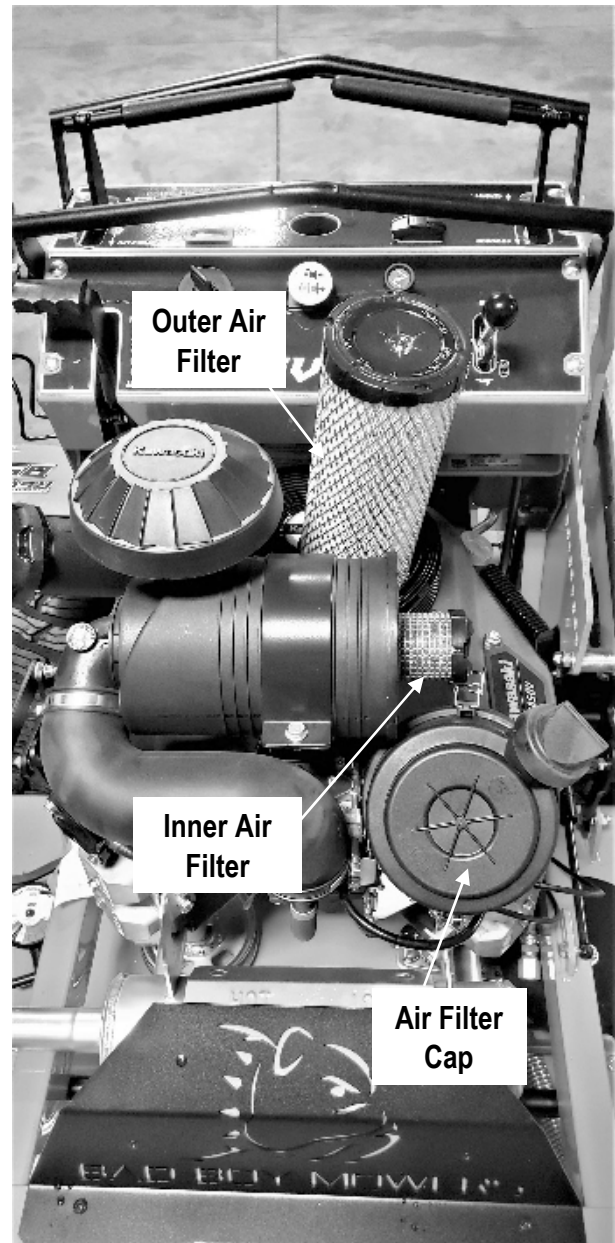


AIR CLEANER

The air cleaner is the engine's only defense against damaging foreign particles. It is very important that the air cleaner element is inspected prior to each use. Remove the element and tap its sides in order to remove debris. Do not blow the filter out using compressed air. Doing so will greatly reduce the air cleaner's effectiveness. Replace yearly; more often in dusty environments. Adhering to these practices will help prevent loss of power and premature engine failure.

CHANGING THE AIR CLEANER

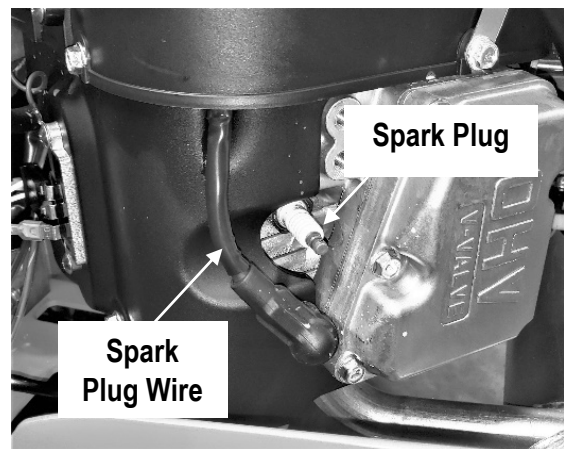
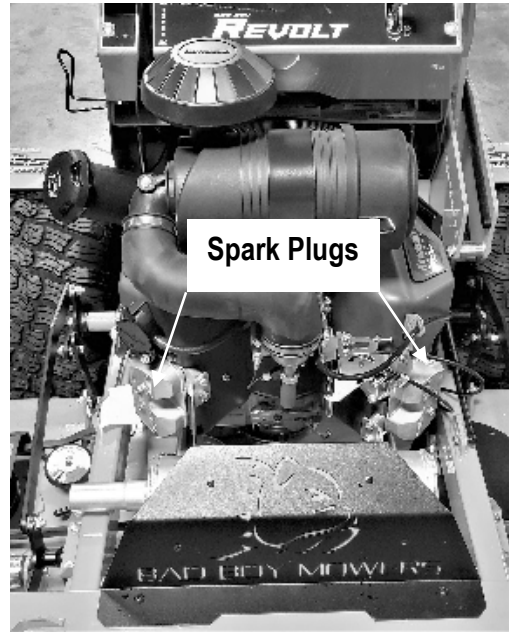
1. Locate the air filter and remove the cover.
2. Remove the inner and outer air filters.
3. Replace the inner and outer air filters by placing the inner filter into the air intake followed by fitting the outer air filter over the inner air filter.
4. Replace and secure air filter cover.



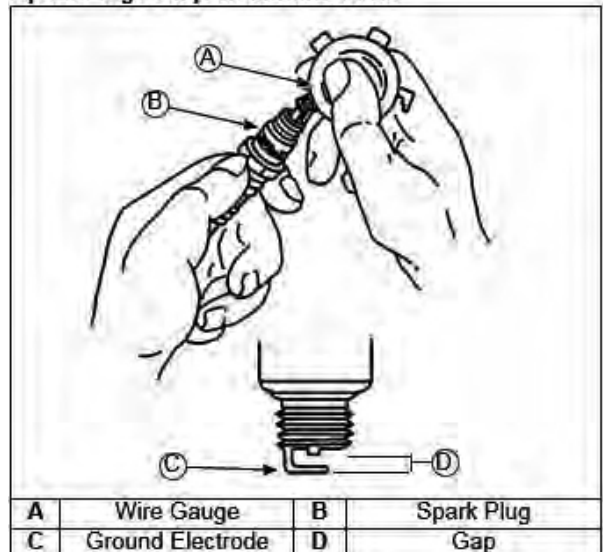
SPARK PLUG

CHANGING THE SPARK PLUGS AND CHECKING THE SPARK PLUG GAP

1. Remove the wire on the spark plug and use an appropriate socket to remove the spark plug.
2. Check the gap on the spark plug to verify that it is 0.03" by using a feeler gauge.
3. If the spark plug is worn, overheated, wet or carbon fouled replace the spark plug.
4. Install the plug into cylinder head and torque to engine manufacture specifications. Be careful not to overtighten the spark plug.



Spark Plug Component and Details





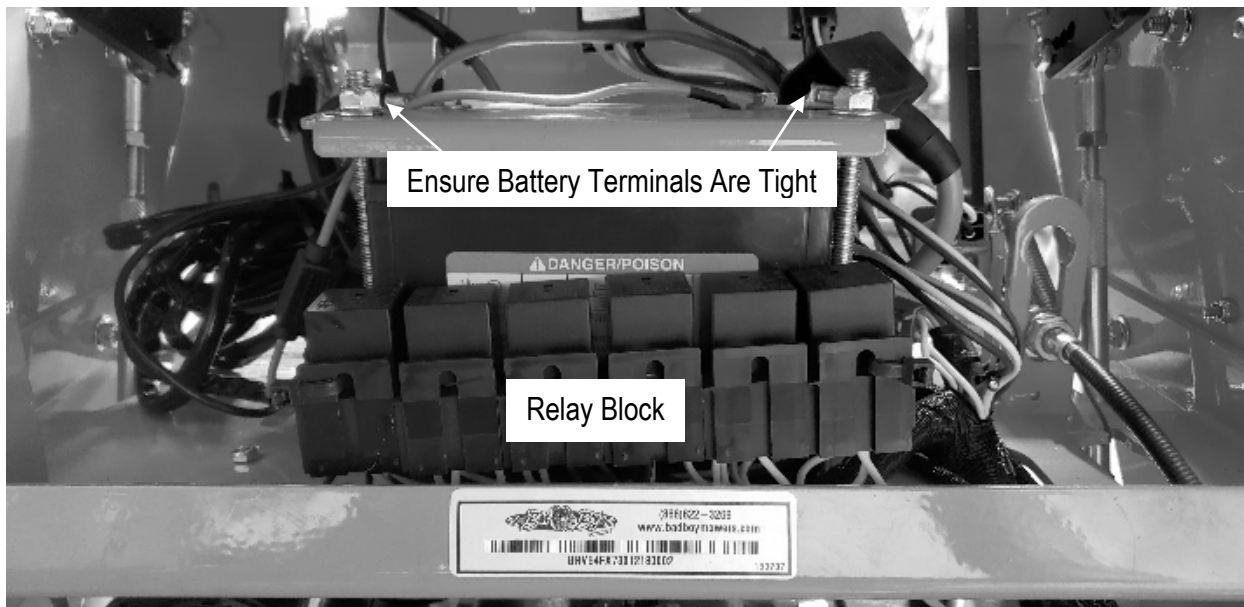
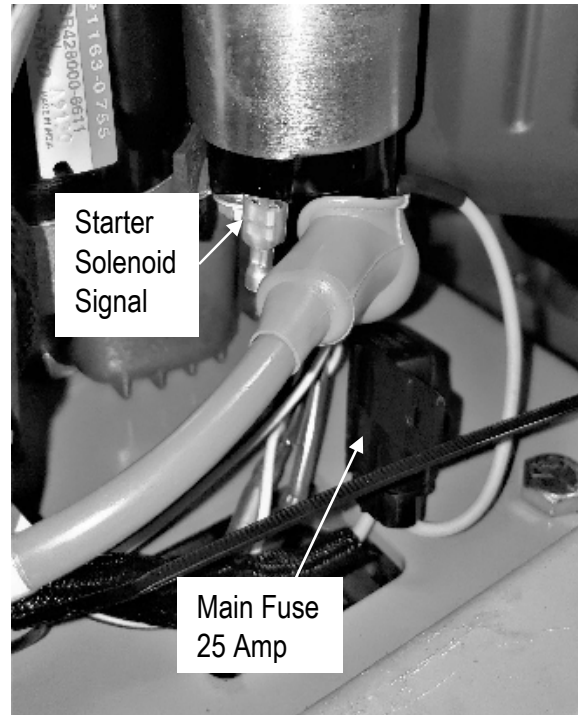
SECTION 4: ELECTRICAL SYSTEM

This mower is equipped with two protective fuses: a 25-amp main fuse (pictured to the below). The main fuse is located on the right side of the unit; towards the rear of the engine. The clutch fuse is located just underneath the operator's console. A blown fuse usually indicates a problem within the electrical system or an electrical component. Never replace a fuse with one of a higher amperage rating or 'bypass' a fuse in any way. Doing so creates a significant fire hazard and can cause severe damage to the mower's electrical components. If either fuse is repeatedly blowing, contact your Bad Boy dealer.

Always check the condition of the wiring harness ground cable. Ensure that the ground is connected, clean, and tight.

Check the condition and connection of the relays located between the cover plate and battery. Ensure that they are clean and connected. Make sure that wire terminal ends have not been pushed out of the relay block.

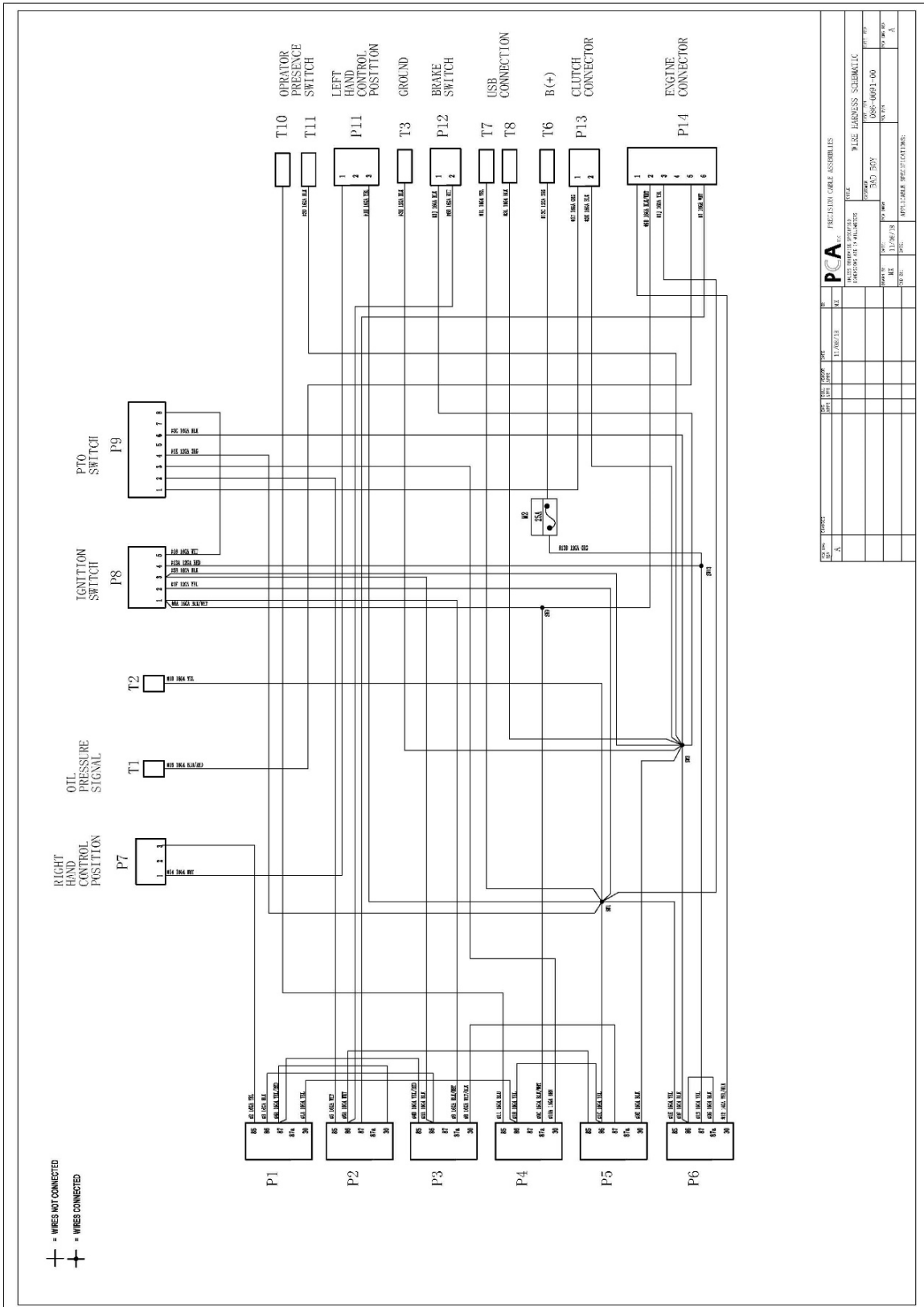
The red wire coming out of the engine is the charging wire from the alternator. Check for 13.6—14.2volts DC at this wire with the engine at full throttle.





ELECTRICAL SYSTEM (CONTINUED)

WIRING DIAGRAM (For a larger version of the below diagram please visit badboymowers.com and click the parts manuals section)



COMPONENT		PART NUMBER	DATE	BY
A		11/06/14		
PCA PRECISION GABLE ASSEMBLIES				
DATE DRAWN BY		11/06/14	M	
CHECKED BY				
DRAWING NUMBER		WIRING HARNESS SCHEMATIC		
REV. NO.		500	REV. NO.	
DATE		11/06/14		
BY				
CHK BY				
APPROVALS				
PARTS LIST				
REVISIONS				



SECTION 5: FRAME

The front fork nuts require a torque of 40ft.-lbs. While applying this torque, turn the fork itself to ensure no damage is done to the bearing. This operation is only necessary if a repair requires it. To access the recessed front fork nuts, remove the dust cap by prying gently using a flat-head screwdriver. Once cap is removed, a 1 7/16 in socket will be needed for top nut. You will need to secure the bottom nut with a 1 1/2" wrench. Once you have torqued the nuts to 40 ft.-lbs., reapply the dust cap by gently tapping around its edges. Do NOT hit center of cap.



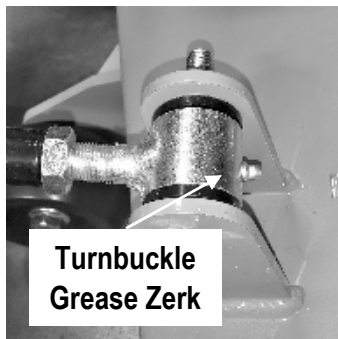
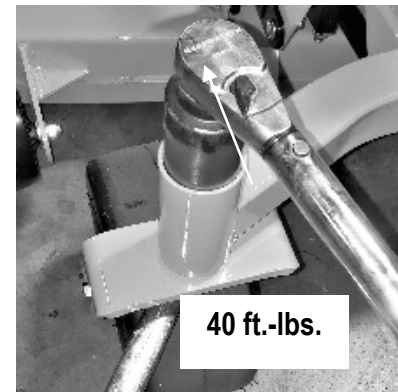
Torque rear wheel lugs to 65-75ft. lbs. Re-torque at every oil change and check every morning.

The pump belt tensioner is located under the engine and has a grease fitting at its pivot point. Grease at every engine oil change.

The deck belt tensioner is located at the rear of the deck and has a grease fitting on its pivot. Grease at every engine oil change.

The control actuators have grease fittings located on the top of each block. Grease one time a year.

There are two grease fittings located on each of the two turnbuckles (4 total). Grease at every oil change.



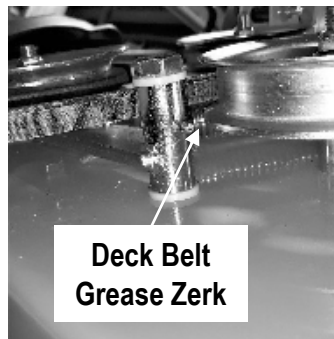
Turnbuckle
Grease Zerk



Drive Actuator
Grease Zerk



Pump Belt
Grease Zerk

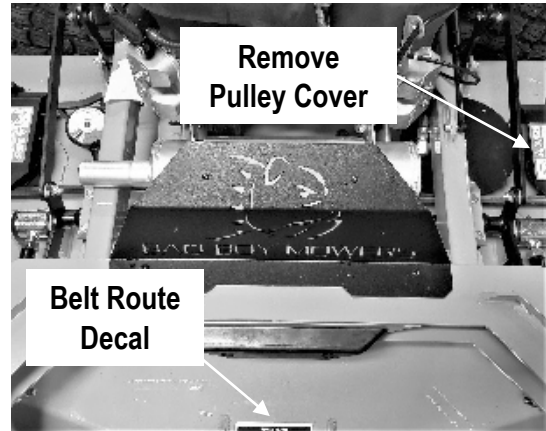


Deck Belt
Grease Zerk

SECTION 6: CUTTING DECK

DECK BELT REMOVAL

1. Remove ignition key.
2. Raise the deck to its highest position.
3. Remove the right pulley cover.
4. While lifting up on the belt (as shown in the photograph), rotate the pulley until the belt is free of the pulley. Exercise caution while performing this step as fingers can easily become caught between the belt and pulley.



DECK BELT INSTALLATION

1. Remove ignition key.
2. Raise the deck to its highest position. If needed loosen the deck belt tensioner to its weakest installed position.
3. Take off both pulley covers and route the belt by following the belt route decal. (The easiest way to finish running the belt is routing the belt through the deck pulleys leaving it off the left deck pulley. Slip it onto the clutch then carefully slip it onto the left deck pulley.)
4. Verify that the belt is routed properly as improper routing can damage the spindles as well as the engine. Improper routing can also increase the potential of a personal injury hazard.
5. Check belt tension and adjust if needed.
6. Reinstall both pulley covers.



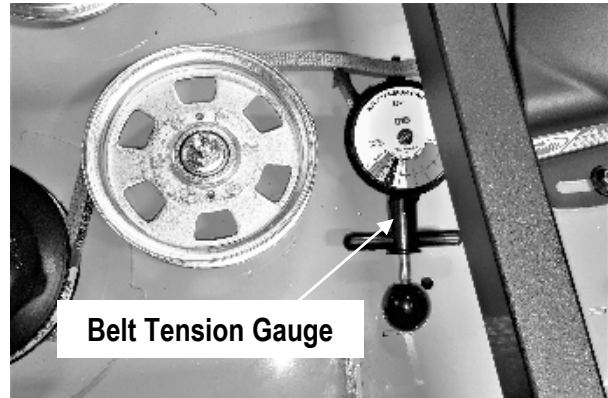
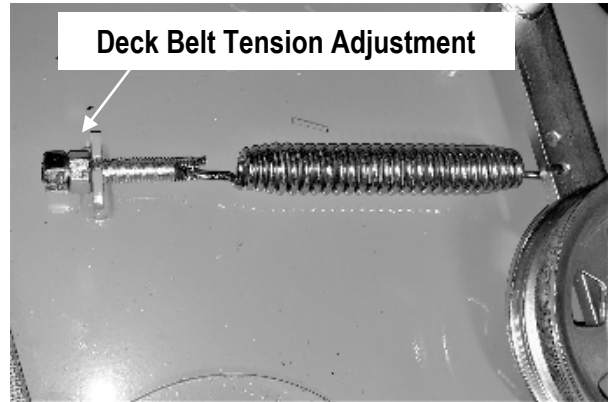


ADJUST DECK BELT TENSION

The deck spring tension is critical. If the tension is too high, premature failure of the deck belt and blade spindles can occur. If the tension is too low, the belt can "jump off" or slip on the pulleys. This results in reduced cut quality and early belt failure.

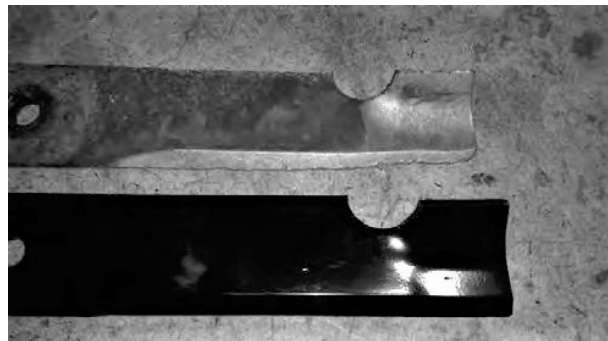
Spring tension adjustments can be made by sliding the bolt shown above forward or backward in the slot of the deck. Belt tension should be 60-65 lbs. with the deck at its lowest setting.

Use a belt tension gauge to ensure the proper tension. Your dealer or service center will have a belt tension gauge or you can buy one (Part Number 041-9999-00).



BLADE SHARPENING

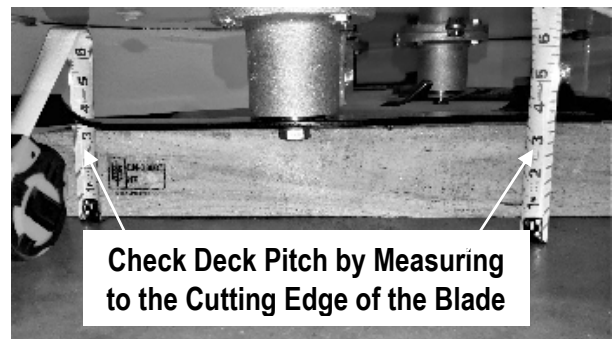
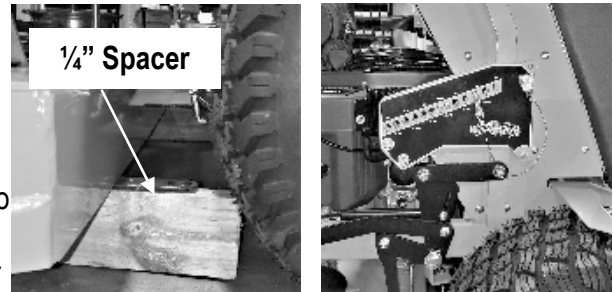
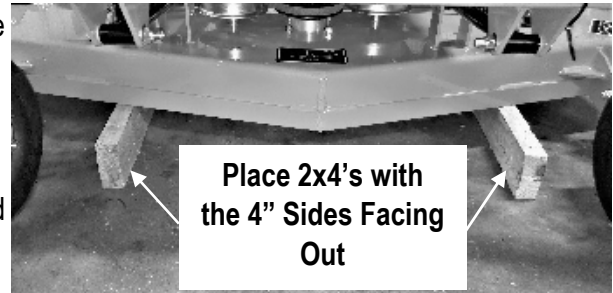
The blade on the top (see photo) was utilized long after replacement was required. In addition to a decline in cut quality, failure to replace a worn or damaged blade creates a major safety hazard. Bad Boy recommends that blade sharpening be performed by a professional.



LEVELING THE DECK

Before leveling the deck, please verify linkage bar is secured properly as described in the picture to the right.

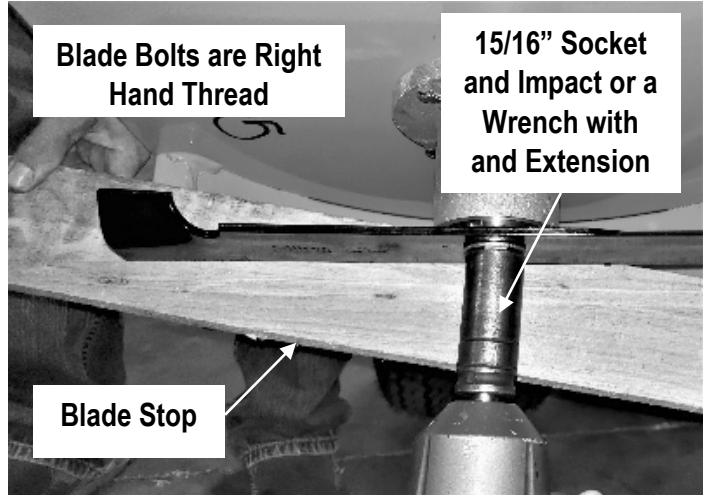
1. Start on a flat, level surface and set the air pressure in all four tires to 12 psi. Measure the deck at all four corners. The deck should be level from left to right but should be pitched downward front to back. The deck pitch is achieved by measuring from the cutting edge of the blade to the ground. Bad Boy recommends having a $\frac{1}{4}$ " pitch down in the front measured from the cutting edge of the blade. Adjustments can be made by adjusting the deck hangers in their slots.
2. Using a pair of approximately 3 ft. long 2x4's, stand the boards on edge and slide them under the deck from front to back as shown. Making sure the deck wheels and blade bolts do not rest on the 2x4's, and that the front and back edge of the deck rest on the 2x4's.
3. Lower the deck down onto the 2x4's using either the deck lift pedal or the electric actuator, whichever your mower is equipped with. The deck should now be approximately 3.5" off the ground. To achieve the proper $\frac{1}{4}$ " pitch down in the front it may be necessary to use some $\frac{1}{4}$ " spacers under the rear of the deck as shown.
4. Using a pair of $\frac{9}{16}$ " wrenches, loosen all deck hanger bolts on the top of the deck. These are the lower bolts in the slots of the deck as shown. Do not loosen the upper bolts that attach the deck hangers to the actuator lift bars.
5. The deck is now loose from the frame and movement of the lift pedal or electric actuator should only move the hanger bolts up and down in the deck slots. At this point a different deck height may be chosen on the cutting height dial. choosing a lower number will raise the decks cutting height. Choosing a higher number will decrease the decks overall cutting height. Remember, you should be approximately in the 3.5" range on your selection.
6. After setting the deck dial to the desired position, tighten all deck hanger bolts in their slots starting from the rear of the deck then moving to the front. Lift the deck to the highest position. measure all four corners of the deck again to ensure that no further adjustments are necessary.
7. Recheck belt tension before mowing.





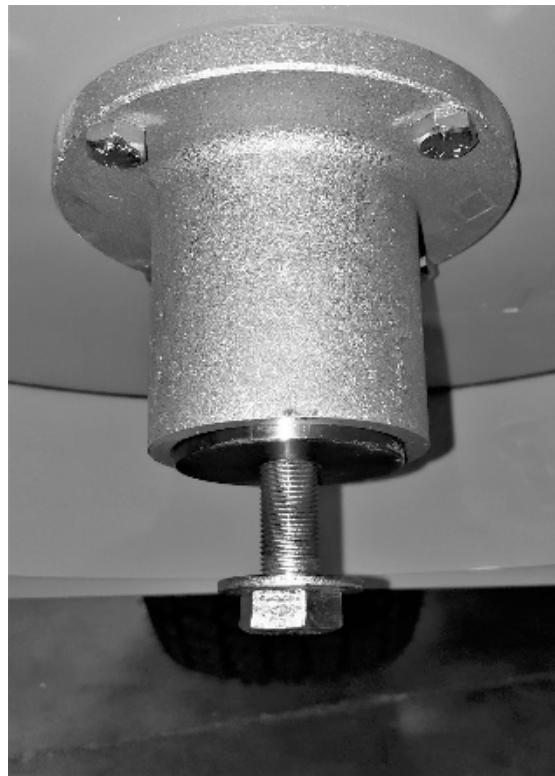
BLADE REMOVAL

To change blades, it may be best to use a piece of wood positioned between the blade and mowing deck to keep the blade from turning. Use a 15/16" socket and impact wrench capable of and output torque of at least 220 ft-lbs. A box wrench and extension can be used, though component damage potential may be increased. A 3/4" wrench can be used on the spindle shaft above the blade to keep the shaft from turning. The bolt has right-handed threads.



Re-torque the blade bolts to 90-110 lbs. upon re-installation.

The blade spindles contain a sealed ball bearing inside the top and bottom of the spindle. The bearings are replaceable for a more cost-effective repair. Factors such as water introduction into the bearing will have a major impact on bearing life.

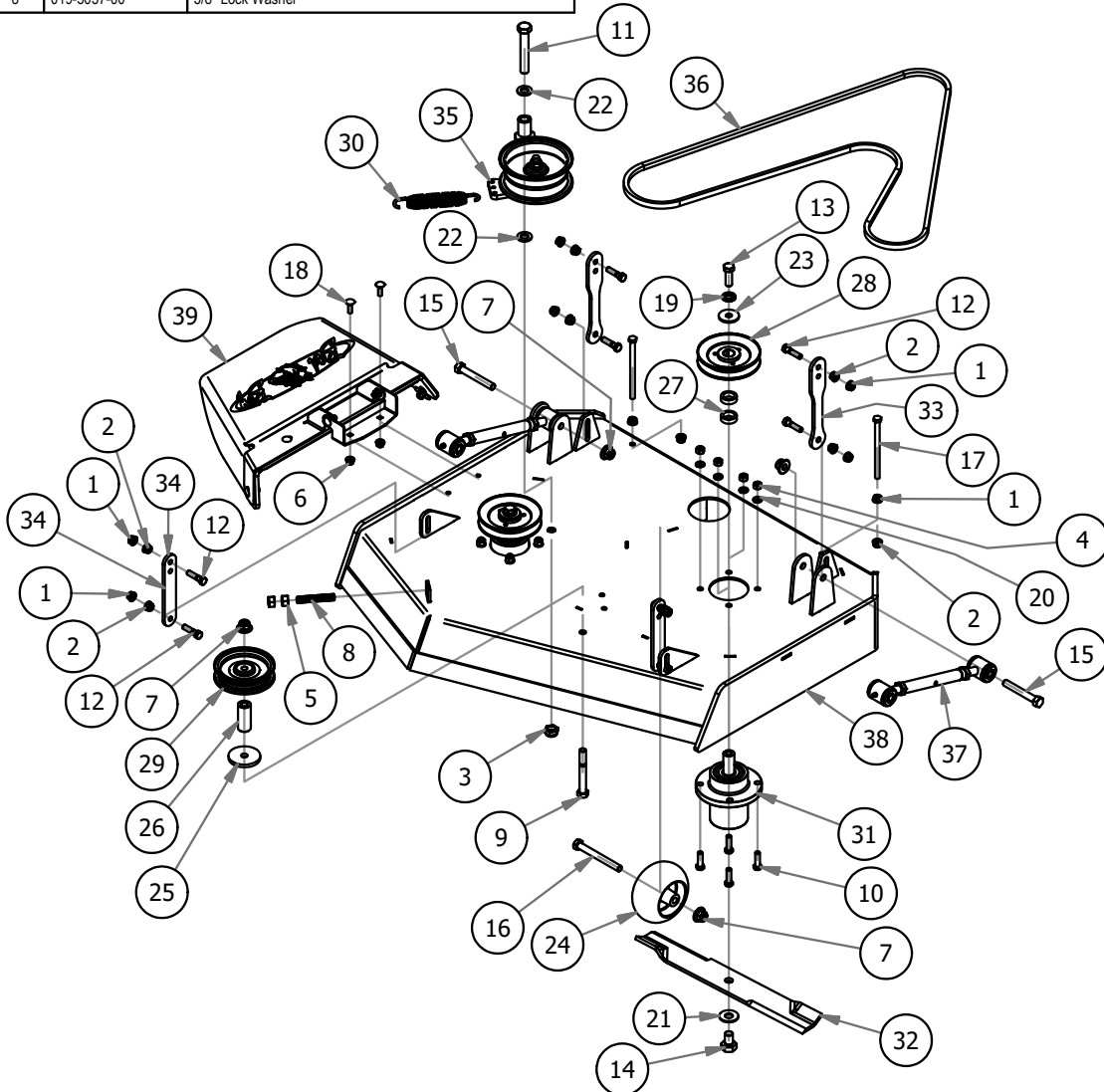




BAD BOY MOWERS

PARTS SECTION: 36" DECK ASSEMBLY

Parts List				Parts List			
ITEM	QTY	PART NUMBER	DESCRIPTION	ITEM	QTY	PART NUMBER	DESCRIPTION
1	11	013-5201-00	3/8" Flange Nut	21	2	019-5038-00	5/8" Flat Washer
2	10	013-5202-00	3/8" Nylock Flange Nut	22	2	019-6017-00	.630 ID Plastic Washer
3	1	013-5301-00	5/8-11 Nylon Insert Jam Half Nut	23	2	019-6020-00	1/2 Belleville Washer
4	8	013-6014-00	3/8" Hex Nut	24	1	022-1001-00	2019 Deck Wheel
5	2	013-7018-00	1/2" Hex Nut	25	1	025-0025-00	MZ Deck Idler Spacer
6	2	013-8049-00	5/16" Nylock Flange Nut Zinc	26	1	025-0032-00	2019 Revolt Stationary Idle Spacer
7	4	013-8050-00	1/2-13 NYLON INSERT FLANGE LOCKNUT ZINC	27	4	025-0060-00	36 Deck Spindle Spacer
8	1	018-2004-50	All Thread-Pump Idler Tensioner	28	2	033-4820-00	MZ Deck Pulley
9	1	018-5019-00	1/2" x 4" Bolt (Grade 8)	29	1	033-7026-00	5 V Idler Pulley 1/2" Bore
10	8	018-5040-00	3/8" x 1 1/4" Hex Bolt	30	1	034-2009-00	2009 Deck/Pump Idler Spring
11	1	018-5311-00	5/8" x 4" Hex Bolt	31	2	037-2002-00	36" Revolt Spindle Assembly
12	8	018-6012-00	3/8" x 1 1/2" Hex Bolt	32	2	038-3010-00	52" Deck Fusion Blade
13	2	018-6019-00	1/2"-20 x 1 1/2" - Grade 5 Fine Thread Bolt	33	2	039-2128-00	2019 Stand-On Rear Deck Hanger
14	2	018-6020-00	5/8" x 1 1/2" Grade 8 Hex Bolt (Fine)	34	2	039-2129-00	2019 Stand on deck hanger_front
15	2	018-6054-00	1/2-13 x 3 1/2 GR 5 Hex Bolt	35	1	039-6952-98	2020 36" Revolt Deck Idler Assembly
16	1	018-7050-00	1/2" x 4 1/2" Bolt	36	1	041-8054-00	2020 Walk-Behind 36 Deck Belt
17	2	018-7060-00	3/8-16 x 5 1/2 Hex Bolt	37	2	048-6000-00	2018 Maverick Turnbuckle (Top Link)
18	2	018-8065-00	5/16" x 1" Carriage Bolt	38	1	060-1136-20	2020 36 Stand On Deck Weldment
19	2	019-5007-00	1/2" Lock Washer Zinc	39	1	210-6016-98	2020 36 Stand On Discharge Assembly
20	8	019-5037-00	3/8" Lock Washer				

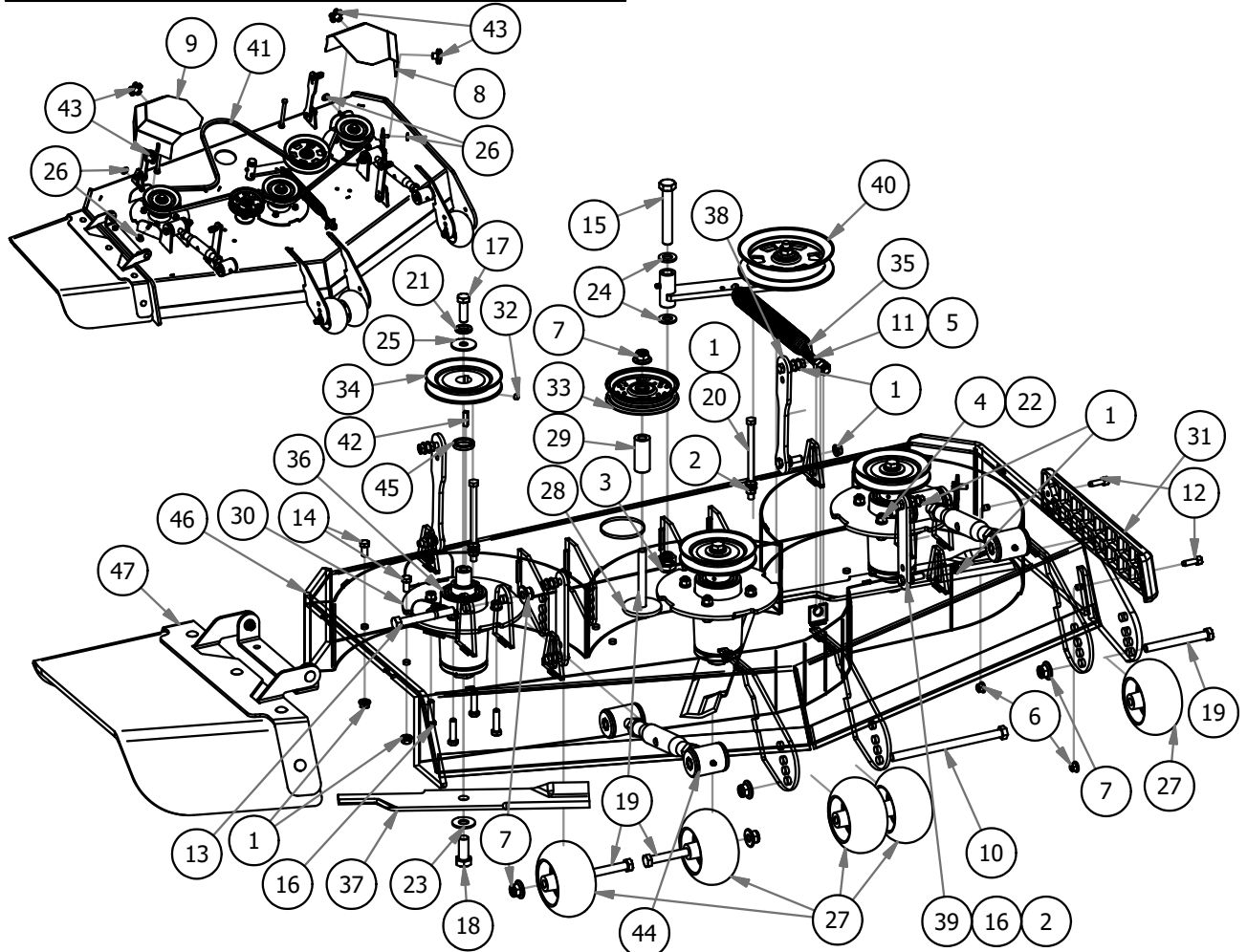




BAD BOY MOWERS

PARTS SECTION: 48" DECK ASSEMBLY

Parts List				Parts List			
ITEM	QTY	PART NUMBER	DESCRIPTION	ITEM	QTY	PART NUMBER	DESCRIPTION
1	12	013-5201-00	3/8-16 HEX SERRATED FLANGE NUT HARD/ZINC	25	3	019-6020-00	1/2" Belleville Washer
2	10	013-5202-00	3/8" Nylock Flange Nut	26	4	019-6050-00	.360 ID Plastic Washer-Black
3	1	013-5301-00	5/8-11 Nylon Insert Jam Half Nut	27	5	022-1001-00	2019 Deck Wheel
4	12	013-6014-00	3/8" Hex Nut	28	1	025-0025-00	MZ Deck Idler Spacer
5	2	013-7018-00	1/2" Hex Nut	29	1	025-0032-00	2019 Revolt Stationary Idle Spacer
6	2	013-8049-00	5/16" Nylon Flange Nut	30	3	026-0025-00	Deck Spindle Support Plate
7	7	013-8050-00	1/2-13 NYLON INSERT FLANGE LOCKNUT ZINC	31	1	029-7036-00	REVISED TRIM BUMPER_20180226
8	1	014-4813-00	2019 Stand On 48" Pulley Cover Trim	32	3	030-0050-00	5/16 Set Screw
9	1	014-4814-00	2019 Stand On 48" Pulley Cover Discharge	33	1	033-6001-00	4 3/4 Idler Pulley - ABFI-76
10	1	018-0046-00	1/2-13 x 8 Hex Bolt Grade 5	34	3	033-6003-00	5" Spindle Deck Pulley
11	1	018-2004-50	All Thread-Pump Idler Tensioner	35	1	034-2030-00	2019 Outlaw Gen2 Deck Spring
12	2	018-2007-00	5/16-18 x 1 GR 5 Hex Bolt Zinc	36	3	037-6015-50	Spindle Assembly
13	2	018-5019-00	1/2" x 4" Bolt (Grade 8)	37	3	038-5350-00	16 1/4" Bad Boy Blade
14	2	018-5250-00	3/8" x 3/4" Hex Bolt	38	2	039-2128-00	2019 Stand-On Rear Deck Hanger
15	1	018-5311-00	5/8" x 4" Hex Bolt	39	2	039-2129-00	2019 Stand on deck hanger_front
16	20	018-6012-00	3/8-16 X 1-1/2 HEX CAP SCREW (GR.5) ZINC	40	1	039-6945-19	2019 Revolt Deck Idler Assembly
17	3	018-6019-00	1/2"-20 x 1 1/2 - Grade 5 Fine Thread Bolt	41	1	041-5200-00	B111 Belt
18	3	018-6020-00	5/8 x 1 1/2 Grade 8 Hex Bolt (Fine)	42	3	042-6030-00	1/4" x 1" Key
19	4	018-7050-00	1/2" x 4 1/2" Bolt	43	4	045-6043-00	5/16" Knob
20	2	018-7060-00	3/8-16 x 5 1/2 Hex Bolt	44	2	048-7000-00	Turnbuckle
21	3	019-5007-00	1/2" Lock Washer Zinc	45	3	058-1000-00	Spacer, 1x1.375x.25
22	12	019-5037-00	3/8" Lock Washer	46	1	060-1148-19	2019 48 Stand On Deck Weldment
23	3	019-5038-00	5/8" Flat Washer	47	1	210-7000-98	2019 Outlaw Gen2 Chute Assembly
24	2	019-6017-00	.630 ID Plastic Washer				

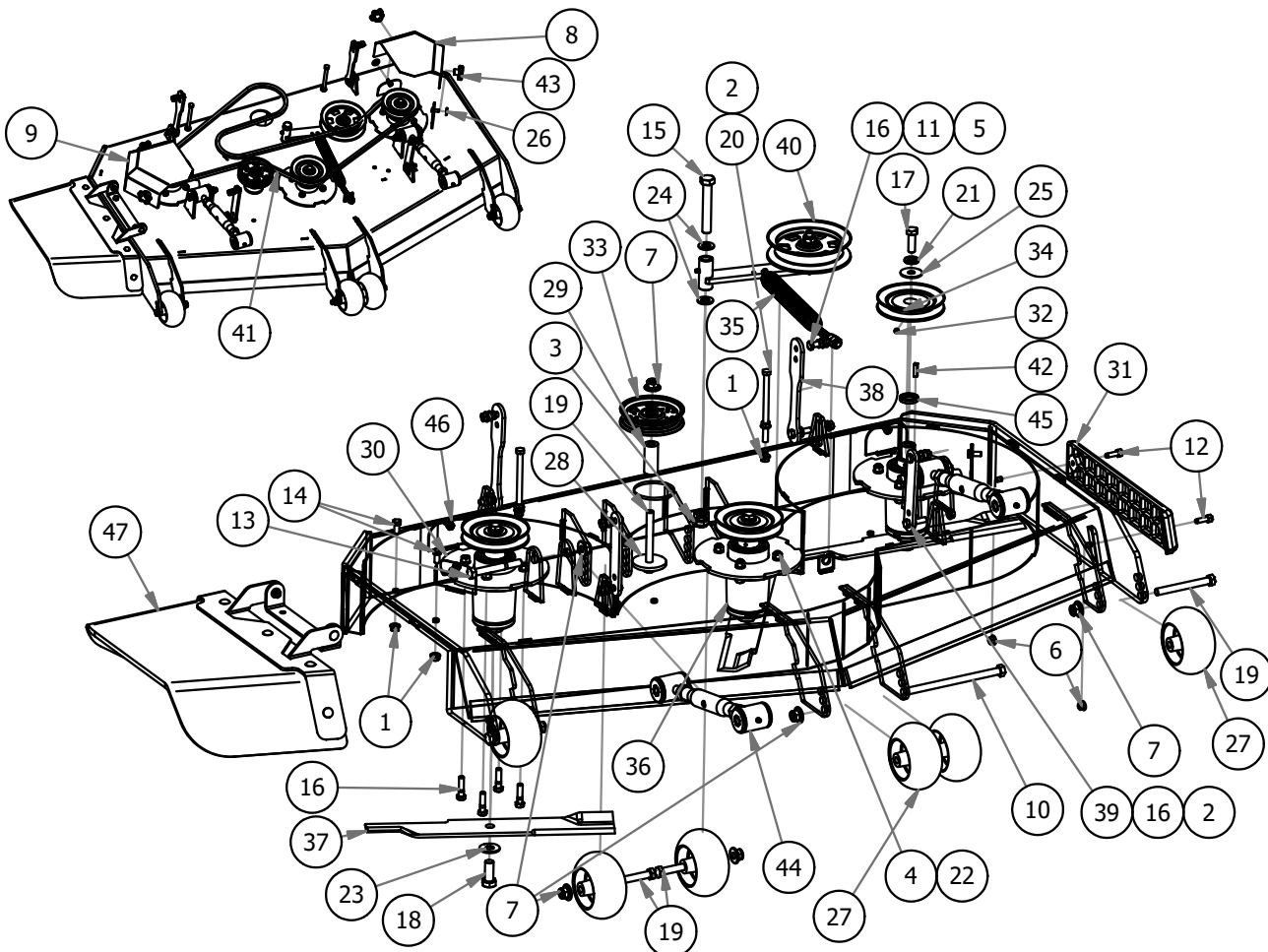




BAD BOY MOWERS

PARTS SECTION: 54" DECK ASSEMBLY

Parts List				Parts List			
ITEM	QTY	PART NUMBER	DESCRIPTION	ITEM	QTY	PART NUMBER	DESCRIPTION
1	12	013-5201-00	3/8-16 HEX SERRATED FLANGE NUT HARD/ZINC	25	3	019-6020-00	1/2" Belleville Washer
2	10	013-5202-00	3/8" Nylock Flange Nut	26	4	019-6050-00	.360 ID X .983 OD X .120 THICK FLAT WASHER NYLON BLACK
3	1	013-5301-00	5/8-11 Nylon Insert Jam Half Nut	27	6	022-1001-00	2019 Deck Wheel
4	12	013-6014-00	3/8" Hex Nut	28	1	025-0025-00	MZ Deck Idler Spacer
5	2	013-7018-00	1/2" Hex Nut	29	1	025-0032-00	2019 Revolt Stationary Idle Spacer
6	2	013-8049-00	5/16" Nylon Flange Nut	30	3	026-0025-00	Deck Spindle Support Plate
7	8	013-8050-00	1/2-13 NYLON INSERT FLANGE LOCKNUT ZINC	31	1	029-7036-00	REVISED TRIM BUMPER_20180226
8	1	014-4811-00	2019 Stand On 54" Pulley Cover Trim	32	3	030-0050-00	5/16 Set Screw
9	1	014-4812-00	2019 Stand On 54" Pulley Cover Discharge	33	1	033-6001-00	4 3/4 Idler Pulley - ABFI-76
10	1	018-0046-00	1/2-13 x 8 Hex Bolt Grade 5	34	3	033-6003-00	5" Spindle Deck Pulley
11	1	018-2004-50	All Thread-Pump Idler Tensioner	35	1	034-2030-00	2019 Outlaw Gen2 Deck Spring
12	2	018-2007-00	5/16-18 x 1 GR 5 Hex Bolt Zinc	36	3	037-6015-50	Spindle Assembly
13	2	018-5019-00	1/2" x 4" Bolt (Grade 8)	37	3	038-0001-00	54" Deck Fusion Blade For Outlaw
14	2	018-5250-00	3/8" x 3/4" Hex Bolt	38	2	039-2128-00	2019 Stand-On Rear Deck Hanger
15	1	018-5311-00	5/8" x 4" Hex Bolt	39	2	039-2129-00	2019 Stand on deck hanger_front
16	20	018-6012-00	3/8 x 1 1/2 Bolt	40	1	039-6945-19	2019 Revolt Deck Idler Assembly
17	3	018-6019-00	1/2"-20 x 1 1/2 - Grade 5 Fine Thread Bolt	41	1	041-0120-00	42 inch Deck Belt- B120
18	3	018-6020-00	5/8 x 1 1/2 Grade 8 Hex Bolt (Fine)	42	3	042-6030-00	1/4" x 1" Key
19	5	018-7050-00	1/2-13 X 4-1/2 HEX CAP SCREW (GR.5) ZINC	43	4	045-6043-00	5/16" Knob
20	2	018-7060-00	3/8-16 x 5 1/2 Hex Bolt	44	2	048-7000-00	Turnbuckle
21	3	019-5007-00	1/2" Lock Washer Zinc	45	3	058-1000-00	Spacer, 1x1.375x.25
22	12	019-5037-00	3/8" Lock Washer	46	1	060-1154-19	2019 Stand On 54" Sloped Deck Welded Assembly
23	3	019-5038-00	5/8" Flat Washer	47	1	210-7000-98	2019 Outlaw Gen2 Chute Assembly
24	2	019-6017-00	.630 ID Plastic Washer				

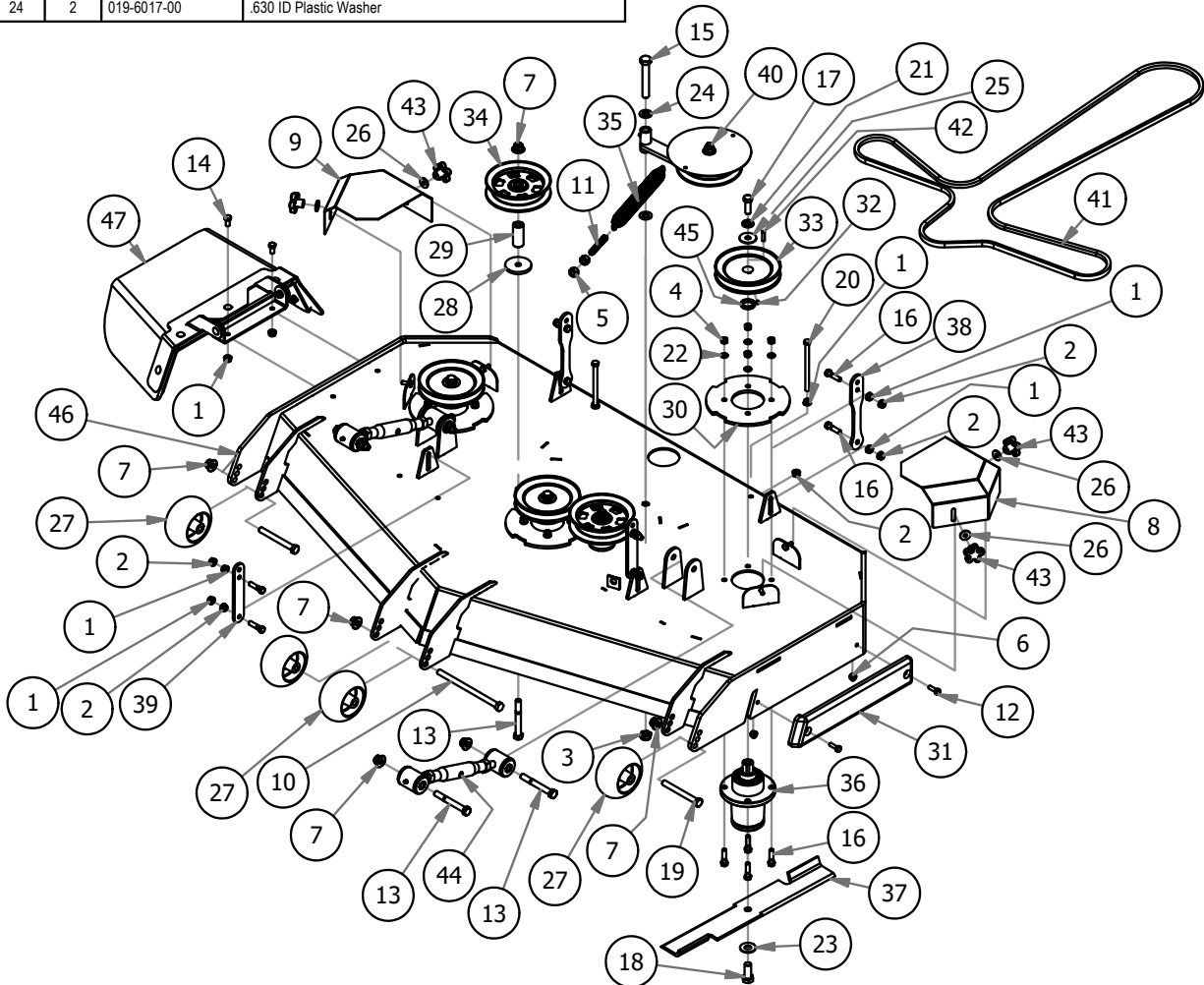




BAD BOY MOWERS

PARTS SECTION: 61" DECK ASSEMBLY

Parts List				Parts List			
ITEM	QTY	PART NUMBER	DESCRIPTION	ITEM	QTY	PART NUMBER	DESCRIPTION
1	12	013-5201-00	3/8" Flange Nut	25	3	019-6020-00	1/2" Belleville Washer
2	10	013-5202-00	3/8" Nylock Flange Nut	26	4	019-6050-00	.360 ID Plastic Washer-Black
3	1	013-5301-00	5/8-11 Nylon Insert Jam Half Nut	27	6	022-1001-00	2019 Deck Wheel
4	12	013-6014-00	3/8" Hex Nut	28	2	025-0025-00	MZ Deck Idler Spacer
5	2	013-7018-00	1/2" Hex Nut	29	2	025-0032-00	2019 Revolt Stationary Idle Spacer
6	2	013-8049-00	5/16" Nylon Flange Nut	30	3	026-0025-00	Deck Spindle Support Plate
7	11	013-8050-00	1/2-13 NYLON INSERT FLANGE LOCKNUT ZINC	31	1	029-7036-00	REVISED TRIM BUMPER_20180226
8	1	014-4811-00	2019 Stand On 54" Pulley Cover Trim	32	3	030-0050-00	5/16 Set Screw
9	1	014-4812-00	2019 Stand On 54" Pulley Cover Discharge	33	3	033-6004-00	6 1/4" Drive Pulley
10	1	018-0046-00	1/2-13 x 8 Hex Bolt Grade 5	34	2	033-7201-25	5-3/4 Idler Pulley
11	1	018-2004-50	All Thread-Pump Idler Tensioner	35	1	034-2030-00	2019 Outlaw Gen2 Deck Spring
12	2	018-2007-00	5/16" x 1" Bolt	36	3	037-6015-50	Spindle Assembly
13	6	018-5019-00	1/2" x 4" Bolt (Grade 8)	37	3	038-6080-00	61 inch Fusion Blade
14	2	018-5250-00	3/8" x 3/4" Hex Bolt	38	2	039-2128-00	2019 Stand-On Rear Deck Hanger
15	1	018-5311-00	5/8" x 4" Hex Bolt	39	2	039-2129-00	2019 Stand on deck hanger_front
16	20	018-6012-00	3/8" x 1 1/2" Hex Bolt	40	1	039-6945-20	2020 61 Revolt Deck Idler Assembly
17	3	018-6019-00	1/2"-20 x 1 1/2 - Grade 5 Fine Thread Bolt	41	1	041-4022-00	B138 Belt
18	3	018-6020-00	5/8 x 1 1/2 Grade 8 Hex Bolt (Fine)	42	3	042-6030-00	1/4" x 1" Key
19	4	018-7050-00	1/2" x 4 1/2" Bolt	43	4	045-6043-00	5/16" Knob
20	2	018-7060-00	3/8-16 x 5 1/2 Hex Bolt	44	2	048-7000-00	Turnbuckle
21	3	019-5007-00	1/2" Lock Washer Zinc	45	3	058-1000-00	Spacer, 1x1.375x.25
22	12	019-5037-00	3/8" Lock Washer	46	1	060-1161-20	Stand On 61 Deck Weldment
23	3	019-5038-00	5/8" Flat Washer	47	1	210-7000-98	2019 Outlaw Gen2 Chute Assembly
24	2	019-6017-00	.630 ID Plastic Washer				

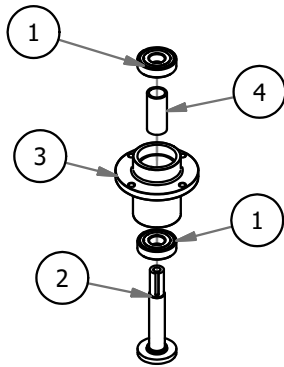




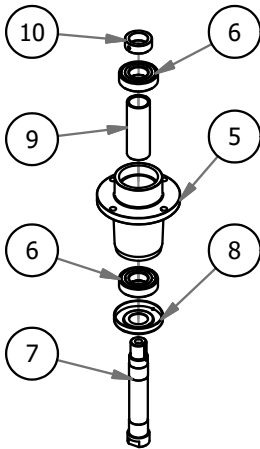
BAD BOY MOWERS

PARTS SECTION: DECK SUB-ASSEMBLIES

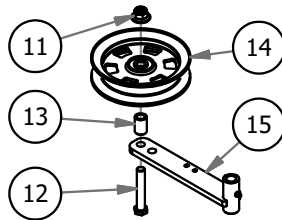
037-2002-00 Parts List				039-6945-19 Parts List			
ITEM	QTY	PART NUMBER	DESCRIPTION	ITEM	QTY	PART NUMBER	DESCRIPTION
1	2	037-6024-00	Spindle Bearing	11	1	013-8050-00	1/2-13 NYLON INSERT FLANGE LOCKNUT ZINC
2	1	037-6025-01	36" Revolt Spindle	12	1	018-7016-00	1/2-13 x GR 5 Hex Bolt Zinc
3	1	037-6027-00	Spindle Housing	13	1	025-5337-00	SPACER
4	1	037-6028-00	Spindle Spacer-Component	14	1	033-8050-00	5" Idler Pulley
037-6015-50 Parts List				039-6945-20 Parts List			
ITEM	QTY	PART NUMBER	DESCRIPTION	ITEM	QTY	PART NUMBER	DESCRIPTION
5	1	037-6017-50	Aluminum Spindle Housing -2010	16	1	013-8050-00	1/2-13 NYLON INSERT FLANGE LOCKNUT ZINC
6	2	037-6023-00	Spindle Bearing, 2004 and up	17	1	014-4005-00	61" Revolt Idler Pulley Cover
7	1	037-6026-00	Short Spindle Shaft w/Locking	18	1	018-0051-00	1/2-13 x 3.75 GR 5 Hex Bolt Zinc
8	1	037-8002-00	Dust Cover	19	1	025-5203-00	Spacer 3/4 OD x 1/2 ID x 3/4 Length
9	1	037-8050-00	Tube Spacer for Spindle Shaft	20	1	025-5337-00	SPACER
10	1	037-9050-00	Collar Spacer - Top of Spindle	21	1	033-8050-00	5" Idler Pulley
				22	1	039-6945-00	Deck Idler
039-6952-98 Parts List							
ITEM	QTY	PART NUMBER	DESCRIPTION				
23	1	013-8050-00	1/2-13 NYLON INSERT FLANGE LOCKNUT ZINC				
24	1	018-7016-00	1/2-13 x GR 5 Hex Bolt Zinc				
25	1	024-0001-00	1/4-28 Grease Fitting				
26	1	025-5203-00	Spacer 3/4 OD x 1/2 ID x 3/4 Length				
27	1	033-5000-00	5 3/4" Deck Idler Pulley				
28	1	039-6952-00	2020 36 Deck Idler Arm Weldment				



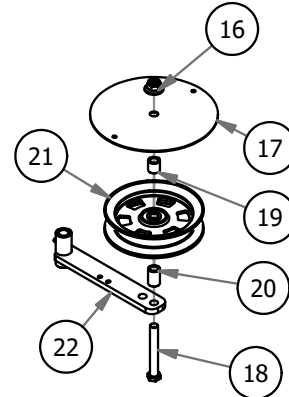
037-2002-00
36" Revolt Spindle Assembly



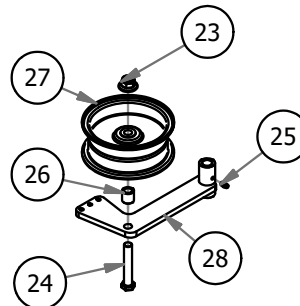
037-6015-50
Spindle- Aluminum -2012 ZT



039-6945-19
2019 Revolt Deck Idler Assembly



039-6945-20
2020 61 Revolt Deck Idler Assembly

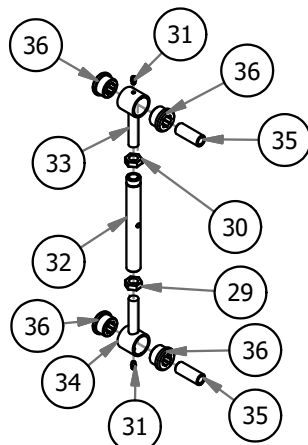


039-6952-98
2020 36" Revolt Deck Idler Assembly

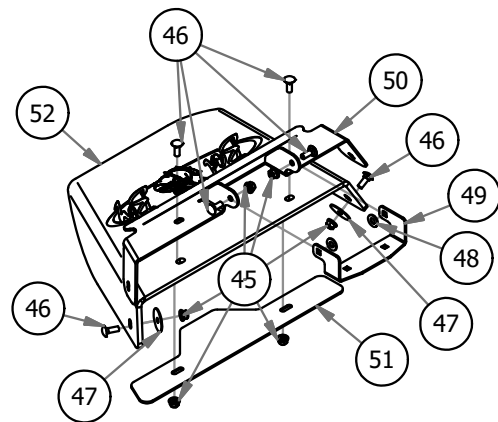


PARTS SECTION: DECK SUB-ASSEMBLIES CONTINUED

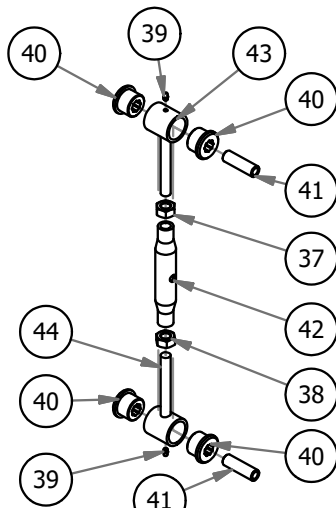
048-6000-00 Parts List				210-6016-98 Parts List			
ITEM	QTY	PART NUMBER	DESCRIPTION	ITEM	QTY	PART NUMBER	DESCRIPTION
29	1	013-0019-00	NUT, 5/8-18	45	6	013-8049-00	5/16" Nylon Flange Nut
30	1	013-0020-00	NUT, 5/8-18LH	46	6	018-8066-00	5/16" x 7/8" Carriage Bolt
31	2	024-0001-00	1/4-28 Grease Fitting	47	2	019-0002-00	5/16 Fender Washer
32	1	048-6001-00	2018 Maverick Toplink Body	48	2	019-6042-00	.360 ID Plastic Washer
33	1	048-6002-00	2018 Maverick Bushing Retainer Left-Handed	49	1	039-0152-00	2020 36 Stand On Chute Hanger
34	1	048-6003-00	2018 Maverick Bushing Retainer Right-Handed	50	1	039-4891-00	Discharge Chute Bracket 48 MZ (Upper)
35	2	048-6004-00	2018 Maverick Bushing Sleeve	51	1	039-4892-00	2017 MZ Discharge Chute Bracket-Lower
36	4	048-6005-00	2018 Maverick Bushing	52	1	210-6014-00	Rubber Discharge Chute MZ (Component)
048-7000-00 Parts List				210-7000-98 Parts List			
ITEM	QTY	PART NUMBER	DESCRIPTION	ITEM	QTY	PART NUMBER	DESCRIPTION
37	1	013-0007-00	Hex Nut, 11/16-12	53	1	039-4894-00	2019 Lower Chute Bracket
38	1	013-0008-00	Hex Nut, 11/16-12 Left Handed	54	1	210-6025-00	2019 Belted Chute with Logo
39	2	024-6034-00	1/4" Press in Grease Fitting	55	1	039-4893-00	2019 Upper Chute Bracket
40	4	032-2000-00	Polyurethane Bushing	56	7	013-8049-00	5/16" Nylon Flange Nut
41	2	032-2001-00	Sleeve	57	5	018-4703-00	5/16" x 1 1/4" Carriage Bolt
42	1	048-7020-00	2015 Outlaw Toplink Body	58	2	018-8066-00	5/16" x 7/8" Carriage Bolt
43	1	048-7021-00	2015 Outlaw Toplink RH End	59	2	019-6042-00	.360 ID Plastic Washer
44	1	048-7022-00	2015 Outlaw Toplink LH End	60	1	206-6018-00	2019 Chute Hanger



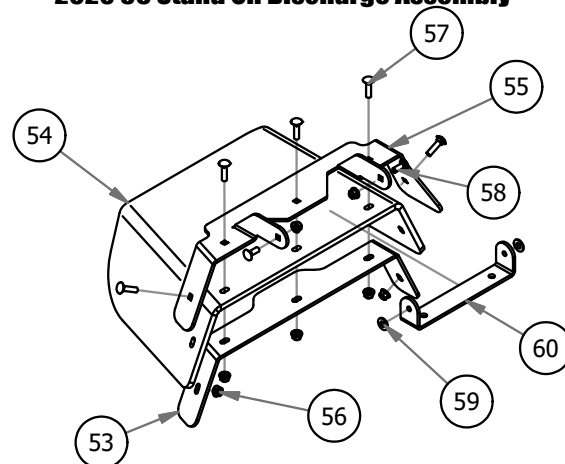
048-6000-00
2018 Maverick Turnbuckle (Top Link)



210-6016-98
2020 36 Stand On Discharge Assembly



048-7000-00
Turnbuckle

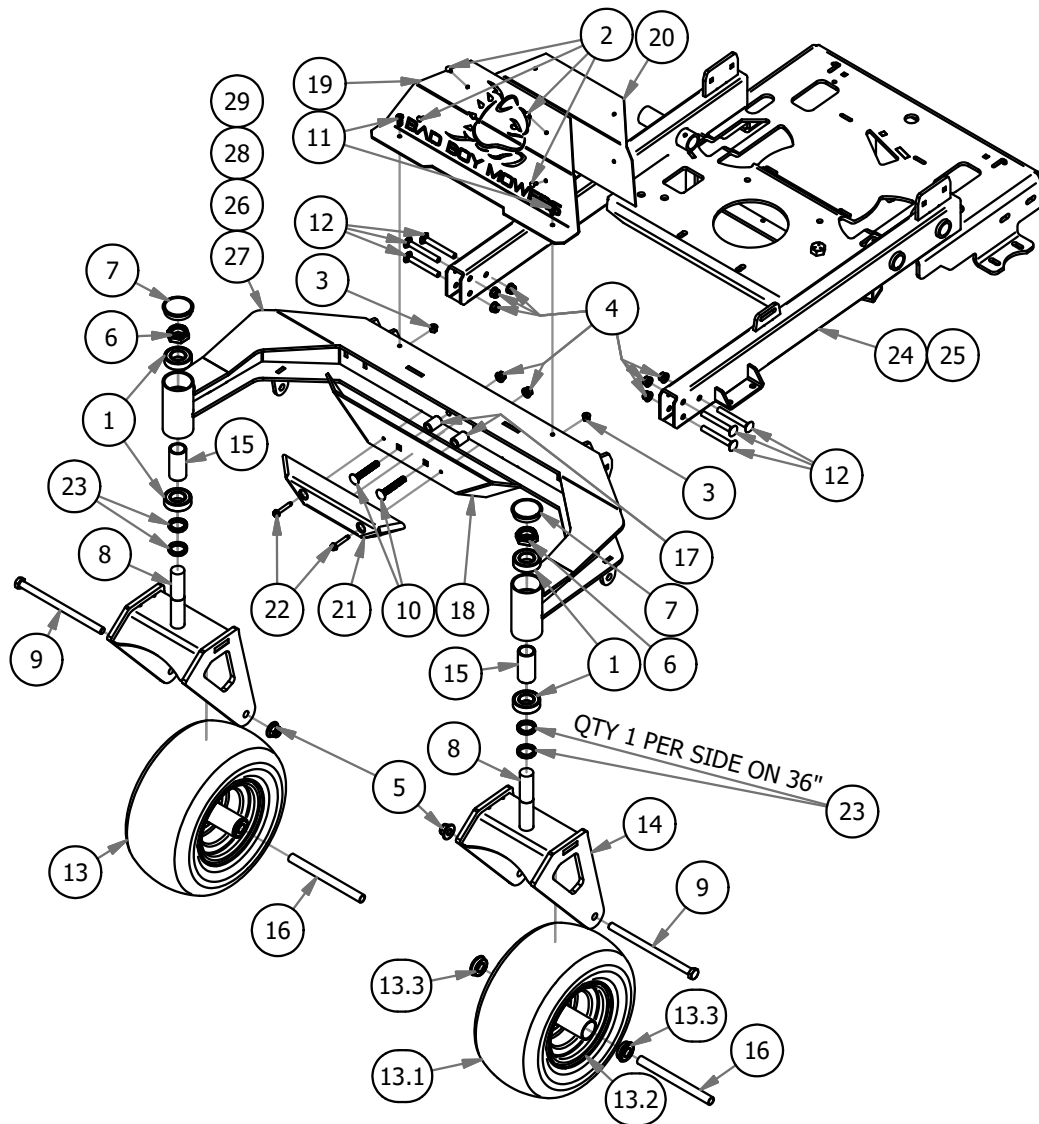


210-7000-98
2019 Outlaw Gen2 Chute Assembly



PARTS SECTION: FRONT END

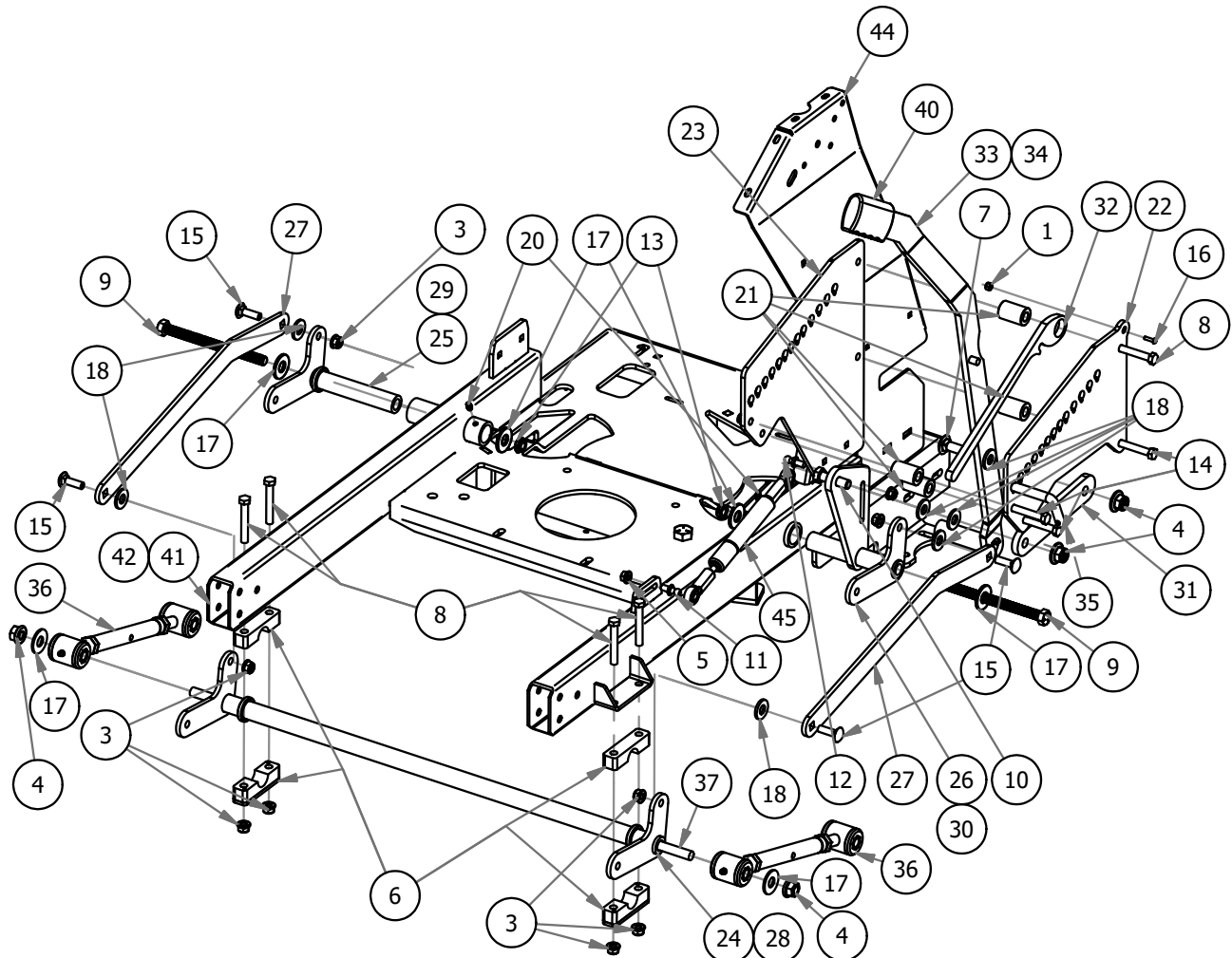
Parts List				Parts List			
ITEM	QTY	PART NUMBER	DESCRIPTION	ITEM	QTY	PART NUMBER	DESCRIPTION
1	4	010-1050-00	1641 BEARING W/2 CONTACT RUBBER SEALS	14	2	023-1010-00	2019 Stand-on Front Fork Weldment
2	4	013-0026-00	3/16 Rivet for .126-.25 THK	15	2	025-0003-00	2016 Front Bearing Spacer
3	2	013-2050-00	1/4-20 Nylon Insert flange Nut	16	2	025-5202-00	Front Wheel Spanner
4	8	013-5202-00	3/8" Nylock Flange Nut	17	2	025-5337-00	SPACER
5	2	013-8050-00	1/2-13 NYLON INSERT FLANGE LOCKNUT ZINC	18	1	026-0049-00	2019 Stand On Front Bumper Plate
6	2	013-9004-00	1" Fine Thread 1/2 Nylock Nut	19	1	026-0084-00	2019 Stand On Exhaust Shield
7	2	014-2025-00	2017 Bearing Cover	20	1	026-0085-00	2019 Stand On Exhaust Backer Plate
8	2	018-0026-00	1-14 x 5.5 Hex Bolt Grade 8 Zinc Yellow	21	1	029-7040-00	Bumper EZT
9	2	018-0040-00	1/2" x 8 1/2 GR 5 Hex Bolt	22	2	030-7039-00	1/4" x 1 1/2" Self Tapping Screw
10	2	018-0044-00	3/8" x 2 1/2" Carriage Bolt	23	4	058-1000-00	Spacer, 1x1.375x.25
11	2	018-0058-00	1/4"-20 Thread, 3/4" Long	24	1	070-5220-19	2019 Stand On Frame Weldment
12	6	018-0072-00	3/8-16 X 3 CARRIAGE BOLT ZINC GR5	25	1	070-5221-20	2020 36 Stand On Frame Weldment
13	2	022-2017-00	13x6.5-6 Black Tire and Wheel Assembly	26	1	070-9036-20	2020 36 Stand-On Front End Weldment
13.1	1	022-5347-00	13 x 6.50 - 6 Tire	27	1	070-9048-19	2019 Stand-On 48 Front End Weldment
13.2	1	022-7007-00	Front Tire Rim	28	1	070-9054-19	2019 Stand-On 54 Front End Weldment
13.3	2	022-7009-00	Ball Bearing w/Retainer, 99502H-NR, .625 Bore x 1.375 OD x .4375 Width	29	1	070-9061-20	Stand-On 61 Front End Weldment





PARTS SECTION: DECK HEIGHT LEVER ASSEMBLY

Parts List				Parts List			
ITEM	QTY	PART NUMBER	DESCRIPTION	ITEM	QTY	PART NUMBER	DESCRIPTION
1	1	013-5019-00	10-24 Nylon Insert Locknut Zinc	24	1	028-0028-00	2019 Stand On Front Actuator Bar Weldment
2	4	013-5041-00	3/8 Nylock Nut	25	1	028-0029-00	2019 Stand On Actuator Bar Rear RH
3	8	013-5202-00	3/8 Nylock Flange Nut	26	1	028-0030-00	2019 Stand On Actuator Bar Rear- LH
4	4	013-8050-00	1/2-13 NYLON INSERT FLANGE LOCKNUT ZINC	27	2	028-0033-00	2019 Stand-on Actuator Linkage
5	2	013-9002-00	5/16-18 Hex Flange Nuts Zinc w	28	1	028-0036-00	2020 36 Stand On Front Actuator Bar Weldment
6	2	017-9076-00	Pillow Block Kit	29	1	028-0037-00	2020 36 Stand On Actuator Rear RH
7	1	018-0008-00	1/2-13 X 1-1/2 CARRIAGE BOLT (GR.5) ZINC	30	1	028-0038-00	2020 36 Actuator rear_LH
8	7	018-0028-00	3/8-16 x 2 1/2" Hex Bolt	31	1	028-5001-00	2019 Stand On Lever Secondary Linkage
9	2	018-0038-00	1/2-13 x 6 1/2 Hex Bolt	32	1	031-0093-00	2019 Stand on deck lever lock
10	1	018-0102-00	1/2-13 x 1 3/4" GR5 Hex Bolt	33	1	031-7146-00	2019 Stand On Lift Lever Weldment
11	1	018-2050-00	10mm Damper Ball Stud-Steering	34	1	031-7148-00	2020 36 Stand On Lift Lever Weldment
12	1	018-2055-00	10mm Damper Ball Stud-XP Linkage	35	1	040-4001-00	Height Adj Pin
13	2	018-4010-00	1/2-13 NYLON INSERT JAM LOCKNUT ZINC	36	2	048-6000-00	2018 Maverick Turnbuckle (Top Link) (36" ONLY)
14	1	018-4700-00	3/8-16x3 grade 5 hex bolt	37	1	048-6058-00	2020 36 Stand On Turnbuckle Rod
15	4	018-5043-00	3/8-16 X 1-1/4 Carriage Bolt	38	1	051-8067-08	Revolt Fuel Line Assembly
16	1	018-5200-00	10-24 X 5/8 BS C/S 18-8 SS	39	1	067-0030-00	2019 REVOLT FUEL TANK
17	6	019-2040-00	1/2 Flat Washer	39.1	0	066-8076-00	Fuel Cap
18	7	019-8054-00	.505 Nylon Spacer	40	1	069-4012-00	2019 Stand On Lift Grip
19	1	020-1001-00	Revolt Cotter Pin for 7/8" to 1" shank	41	1	070-5220-19	2019 Stand On Frame Weldment
20	3	024-6034-00	1/4" Press in Grease Fitting	42	1	070-5221-20	2020 36 Stand On Frame Weldment
21	4	025-5338-00	.502 ID X .750 OD X 1.500 Long Spacer	43	2	072-0051-00	2019 Stand On Gas Tank Strap
22	1	026-0082-00	2019 Stand On Outer Adjustment Plate	44	1	079-4111-00	2019 Podium Panel Left
23	1	026-0083-00	2019 Stand On Inner Adjustment Plate	45	1	087-5400-00	200 lb Gas Spring- 54" Deck outlaw

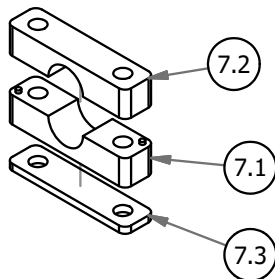
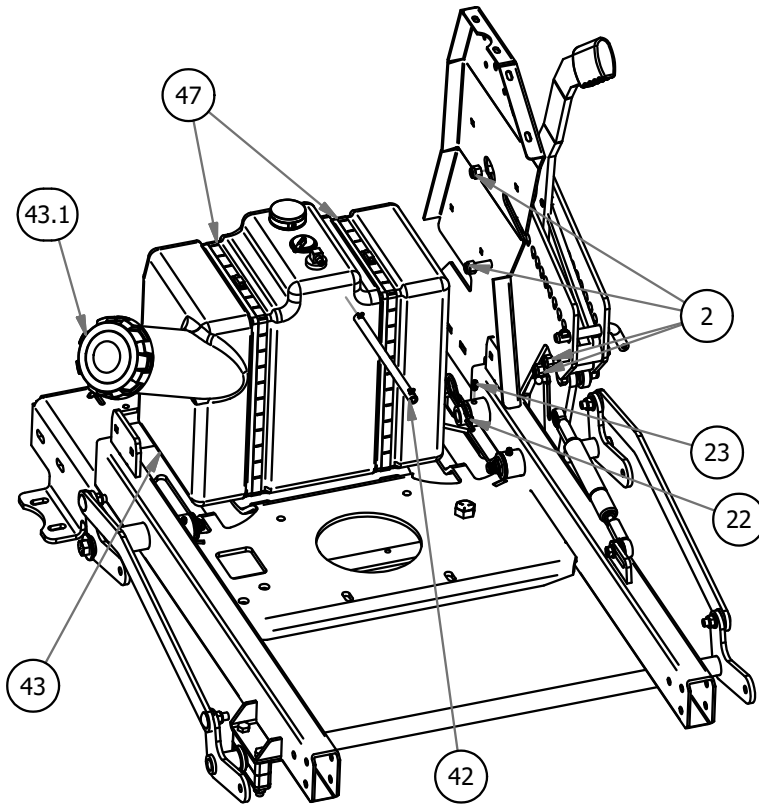




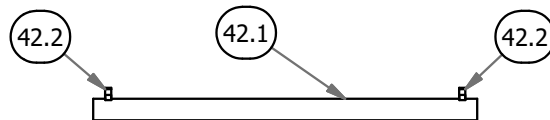
BAD BOY MOWERS

PARTS SECTION: DECK HEIGHT LEVER ASSEMBLY (CONT.)

017-9046-00 Parts List				051-8067-08 Parts List			
ITEM	QTY	PART NUMBER	DESCRIPTION	ITEM	QTY	PART NUMBER	DESCRIPTION
7.1	1	017-9077-00	Pillow Block MZ male	42.1	0.667 ft	051-8067-00	1/4 Fuel Line
7.2	1	017-9078-00	Pillow Block MZ female	42.2	2	072-8069-00	1/4 Fuel Hose Clamp
7.3	1	017-9079-00	Pillow Block Strap				



017-9076-00
Pillow Block Kit



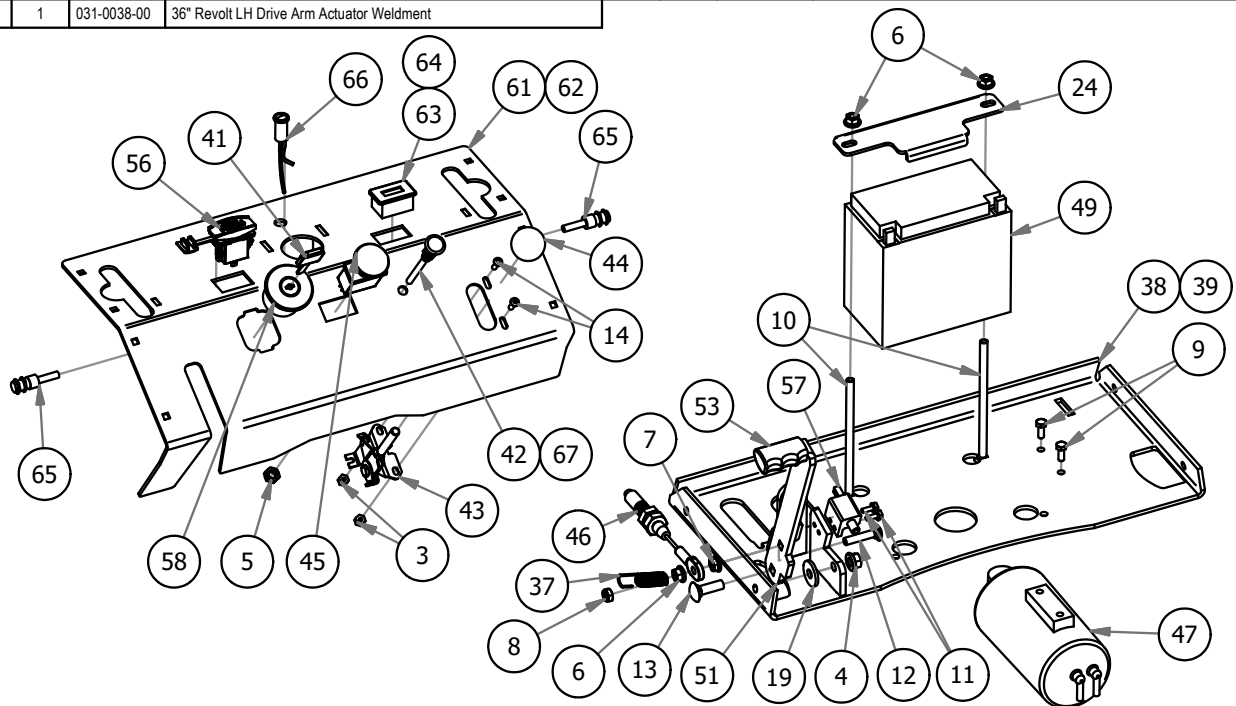
051-8067-08
Revolt Fuel Line Assembly



BAD BOY MOWERS

PARTS SECTION: PODIUM ASSEMBLIES

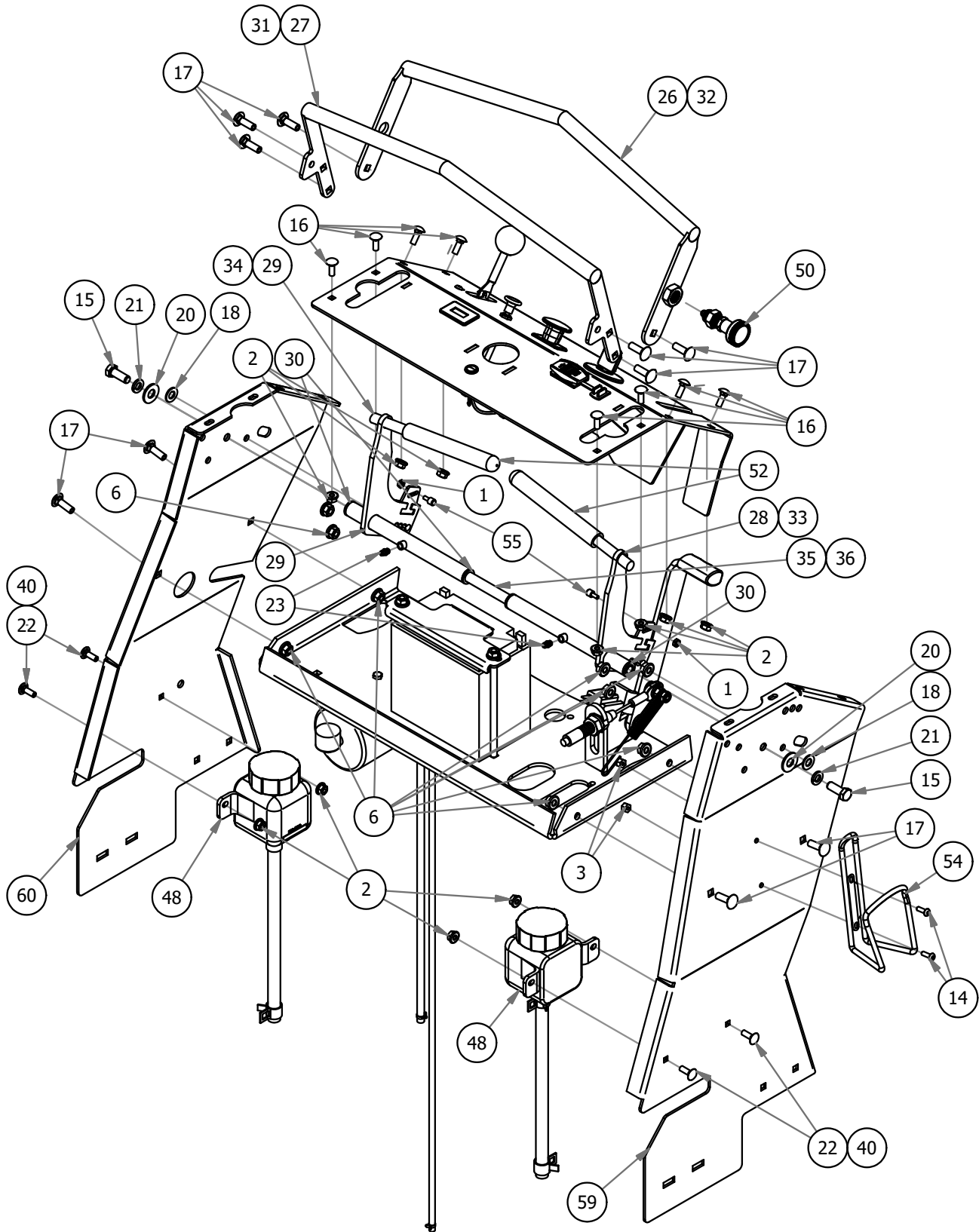
Parts List				Parts List			
ITEM	QTY	PART NUMBER	DESCRIPTION	ITEM	QTY	PART NUMBER	DESCRIPTION
1	2	013-0001-00	8-32 HEX M/S NUT ZINC	35	1	031-0091-00	2019 Stand On Drive Arm Pivot Bar
2	12	013-2050-00	1/4-20 NYL INSERT FLANGE LOCKNUT ZINC	36	1	031-0094-00	2020 36" Stand On Drive Pivot Bar
3	4	013-5019-00	10-24 Nylon Insert Locknut	37	1	034-1025-00	Brake Spring
4	1	013-5202-00	3/8-16 NYLON INSERT FLANGE LOCKNUT (GR.F) ZINC	38	1	039-0087-00	2019 Stand On Console Bracket Weldment
5	1	013-6051-00	3/8-24 HEX NUT ZINC YELLOW	39	1	039-0154-00	36" Console Bracket Weldment
6	13	013-8049-00	5/16-18 NYLON INSERT FLANGE LOCKNUT ZINC	40	4	040-6080-00	Ratchet Fastener (36" ONLY)
7	1	013-9002-00	5/16-18 HEX SERRATED FLANGE NUT HARD/ZINC	41	1	042-9000-00	Ignition Key
8	1	013-9005-00	5/16-18 Nylock Jam Nut 1/2 Nut	42	1	054-8017-00	Choke
9	2	018-0024-00	M6-1.0 X 16MM Hex Bolt	43	1	055-2012-00	Universal Throttle
10	2	018-0056-00	5/16-18 X 6 CARRIAGE BOLT (GR.5) ZINC	44	1	055-2013-00	Throttle Knob
11	2	018-1080-00	12-24x 1/2 HWH Bolt	45	1	056-8058-00	PTO Switch
12	1	018-5020-00	5/16-18 X 1-1/2 CARRIAGE BOLT ZINC	46	1	064-3000-00	Brake Cable
13	1	018-5043-00	3/8-16 X 1-1/4 CARRIAGE BOLT ZINC	47	1	067-0020-18	Revolt EPA Cannister Assy
14	4	018-5200-00	10-24 X 5/8 BUTTON SOCKET CAP SCREW 18-8 STAINLESS STEEL	48	2	067-8090-03	Hydro Tank Assembly
15	2	018-6049-00	3/8-16 X 1 GR 5 Hex Bolts Zinc	49	1	068-8051-00	Interstate FAYTX14 Battery
16	8	018-8040-00	1/4-20 X 3/4 CARRIAGE BOLT ZINC	50	1	069-0002-00	8507A13 McMaster Carr Plunger
17	10	018-8065-00	5/16-18 X 1 CARRIAGE BOLT (GR.8) ZINC	51	1	069-2013-00	2019 Stand On Brake Handle
18	2	019-2003-00	.390 ID X .750 OD X .062 THK FLAT WASHER NYLON	52	2	069-2014-00	2019 Stand On Control Grip
19	1	019-2073-00	.390 ID X 1.12 OD X .125 THK FLAT WASHER NYLON	53	1	069-7000-00	Rubber Brake Grip-cZT/ZT 2013
20	2	019-5029-00	3/8 FLAT WASHER USS (1" OD) ZINC	54	1	071-6005-00	2019 Stand On Waterbottle Cage
21	2	019-5037-00	3/8" Lock Washer	55	2	077-1000-00	Magnet-Steering Arm-Stand ON
22	4	019-8040-00	1/4-20 X 3/4 CARRIAGE BOLT (GR.5) ZINC	56	1	077-2076-00	USB Port
23	2	024-6034-00	1/4" Press in Grease Fitting	57	1	077-8073-00	Safety Switch
24	1	026-0098-00	2019 Stand On Battery Hold Down	58	1	077-8076-00	Ignition Switch
25	1	026-0157-00	2020 36" Hydrotank Carrier Plate	59	1	079-4106-00	2019 Podium Panel Right
26	1	031-0026-00	2019 Stand On Control Arm Stop Weldment	60	1	079-4111-00	2019 Podium Panel Left
27	1	031-0027-00	2019 Stand On Control Arm Stop Weldment_rear	61	1	079-4112-00	2019 Stand On Podium Front Panel Weldment
28	1	031-0028-00	2019 Stand On Drive Arm Actuator weldment_right	62	1	079-4113-00	36" Podium Front Panel Weldment
29	1	031-0029-00	2019 Stand On Drive Arm Actuator weldment_left	63	1	083-4013-00	Tachometer
30	4	031-0032-00	2019 Drive Arm Bushing	64	1	083-4050-00	Tachometer-Kohler/Yamaha EFI
31	1	031-0033-00	36" Revolt Rear Control Arm Stop Weldment	65	2	086-0015-00	Safety Switch Harness
32	1	031-0034-00	36" Front Control Arm Stop Weldment	66	1	089-1000-00	Oil Light
33	1	031-0037-00	36" RH Drive Arm Actuator Weldment	67	1	089-2000-00	Code Indicator Light-Yamaha
34	1	031-0038-00	36" Revolt LH Drive Arm Actuator Weldment				





BAD BOY MOWERS

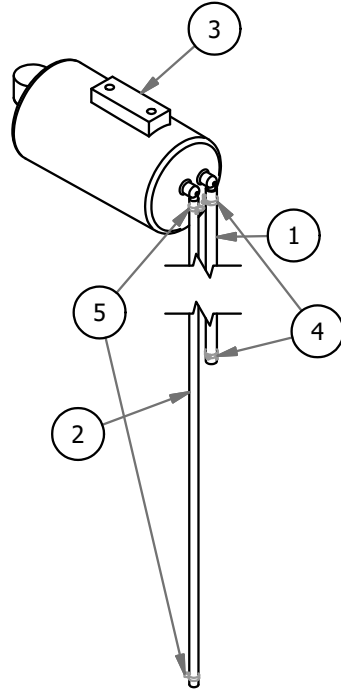
PARTS SECTION: PODIUM ASSEMBLY CONTINUED



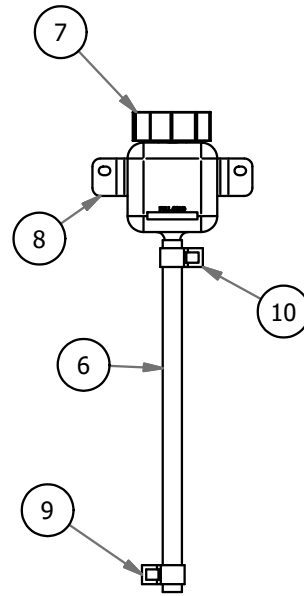


PARTS SECTION: PODIUM SUB-ASSEMBLIES

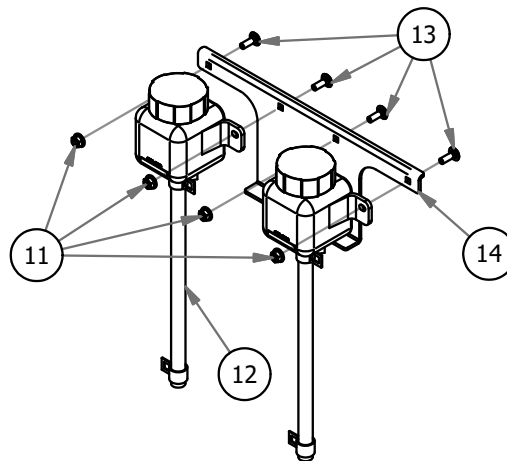
067-0020-18 Parts List				067-8090-03 Parts List			
ITEM	QTY	PART NUMBER	DESCRIPTION	ITEM	QTY	PART NUMBER	DESCRIPTION
1	1.667 ft	051-8072-00	1/4" Vinyl Tubing	6	1	051-0016-00	ZT/Maverick Hydro Tank Hose
2	2.667 ft	051-8073-00	3/16" Vinyl Tubing, 55" Long	7	1	066-5050-00	Hydraulic Tank Cap
3	1	067-0020-00	Carbon Canister	8	1	067-8090-00	350ml Expansion Tank
4	2	072-8070-00	3/16 Vinyl Clamp	9	1	072-8065-00	3/8" Hose Clamp
5	2	072-8073-00	3/16" Vinyl Hose Clamp	10	1	072-8066-00	1/2 Hose Clamp



067-0020-18
Revolt EPA Cannister Assy



067-8090-03
Hydro Tank Assembly



36" Revolt Hydro Tank Mounting

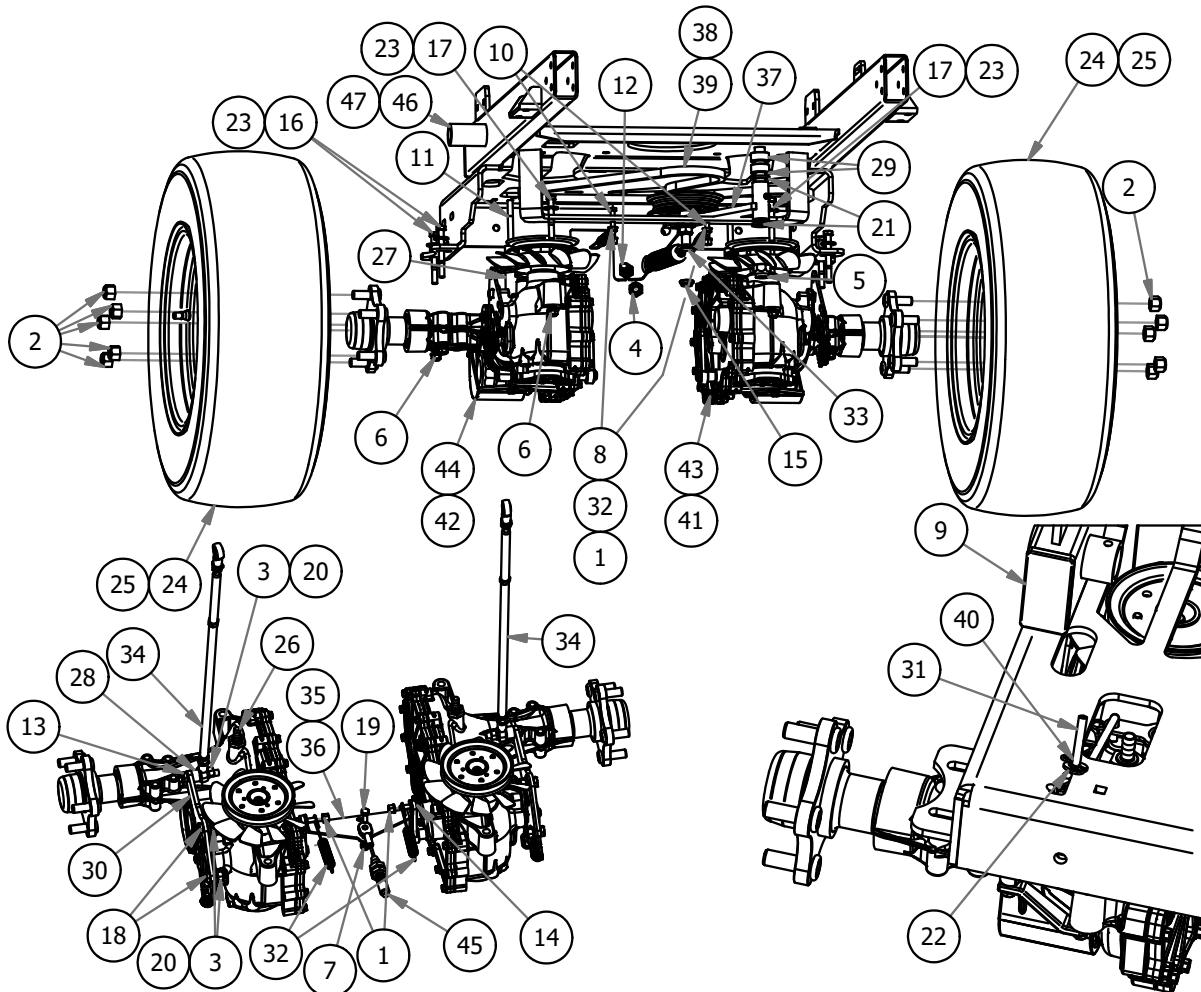
36" Revolt Hydro Tank Mount Parts List				36" Revolt Hydro Tank Mount Parts List			
ITEM	QTY	PART NUMBER	DESCRIPTION	ITEM	QTY	PART NUMBER	DESCRIPTION
11	12	013-2050-00	1/4-20 Nylon Insert Flange Nut	13	4	019-8040-00	1/4-20 X 3/4 CARRIAGE BOLT (GR.5) ZINC
12	2	067-8090-03	Hydro Tank Assembly	14	1	026-0157-00	2020 36 Stand On hydrotank carrier plate



BAD BOY MOWERS

PARTS SECTION: TRANSAXLE ASSEMBLY

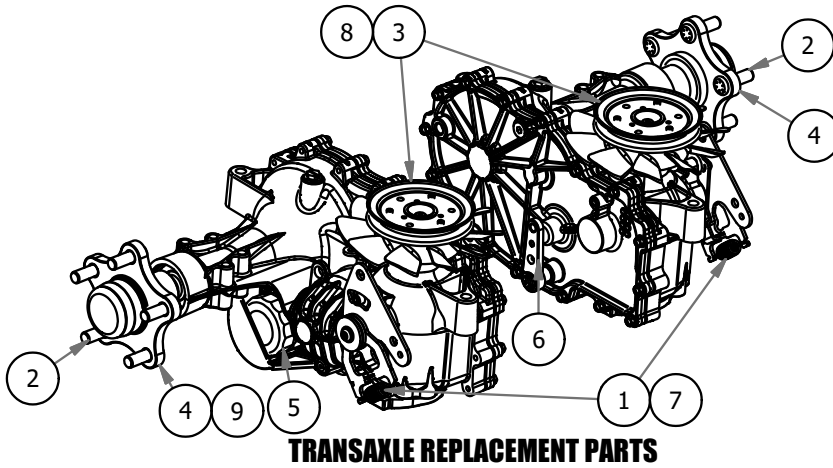
Parts List				Parts List			
ITEM	QTY	PART NUMBER	DESCRIPTION	ITEM	QTY	PART NUMBER	DESCRIPTION
1	4	013-2050-00	1/4-20 Nylon Insert Flange Nut	25	2	022-4041-00	21/7x10 Reaper Tire-36 Revolt
2	10	013-3000-00	Acorn Lug Nut	26	2	024-1200-00	45 degree fitting
3	6	013-6014-00	3/8" Hex Nut	27	2	025-0070-00	2017 Transaxle Spacer
4	2	013-7018-00	1/2-13 Hex Nuts Zinc	28	2	025-2004-00	ACS Spacer 3/4x3/8x1/2
5	1	013-7021-00	5/8-11 NYLON INSERT LOCKNUT ZINC (NOT ON 36)	29	2	025-7020-00	5/8" x 1" Collar w/One Set Screw (NOT ON 36)
6	8	013-8049-00	5/16-18 Nylon Flange Nut	30	2	026-0093-00	Stand On Control Arm Plate
7	1	013-8073-00	1/4" Nylock Nut	31	2	028-0071-00	2019 Stand On Neutral Rod
8	2	013-9001-00	1/4-20 Hex Flange Nuts Zinc w/Serrations	32	2	034-1025-00	Brake Spring
9	2	014-9003-00	1 1/2 x 3 Frame Plug	33	1	034-2020-00	Deck Idler Spring
10	2	018-0011-00	1/4-20 x 2 Hex Bolt	34	2	035-0006-19	2019 Stand On Drive Push Rod Assembly
11	2	018-0056-00	5/16x6 Carriage Bolt-Grade 5	35	1	039-0151-00	2020 36 Brake Bracket
12	1	018-2004-50	All Thread-Pump Idler Tensioner	36	1	039-0212-00	Brake Bracket
13	2	018-3000-00	3/8"-16 x 2" Gr 5 Hex Bolt	37	1	039-6945-09	2019 Stand On Idler Assembly (NOT ON 36)
14	2	018-4007-00	1/4-20 x 1 GR 5 hex bolt zinc	38	1	041-8000-00	2019 Renegade Pump Belt (36" ONLY)
15	1	018-4010-00	1/2-13 NYLON INSERT JAM LOCKNUT ZINC	39	1	041-8052-00	2019 Stand On Pump Belt (Timken# 47-2827)
16	4	018-4701-00	5/16" x 3" Hex Bolt	40	4	044-2004-00	Bow Pin
17	2	018-5344-00	5/16" x 2 1/2" Bolt	41	1	050-2095-00	Right ZT Transaxle
18	4	018-6049-00	3/8-16 X 1 GR 5 Hex Bolts Zinc	42	1	050-2096-00	Left ZT Transaxle
19	1	018-8052-00	1/4" x 3/4" Hex Bolt	43	1	050-6000-00	Left 3400 IZT
20	6	019-5037-00	3/8" Lock Washer	44	1	050-6001-00	Right 3400 IZT
21	2	019-6017-00	.630 ID Plastic Washer (NOT ON 36)	45	1	064-3000-00	Brake Cable
22	2	019-7040-00	1/4 USS FLAT WASHER (3/4 OD) ZINC	46	1	070-5220-19	2019 Stand On Frame Weldment
23	6	019-8044-00	5/16 USS FLAT WASHER (7/8 OD) ZINC	47	1	070-5221-20	2020 36 Stand On Frame Weldment
24	2	022-4040-00	23x9-12 Reaper Turf Tire & Wheel Assembly				



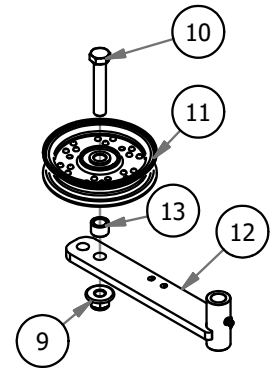


PARTS SECTION: TRANSAXLE ASSEMBLY CONTINUED

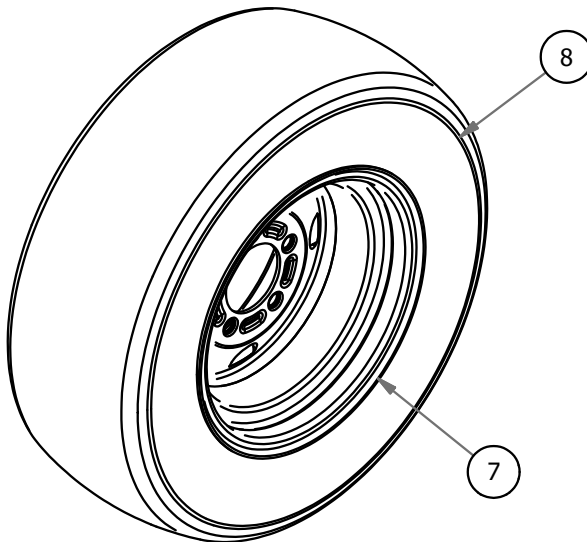
Transaxle Replacement Parts List				022-4040-00 Parts List			
ITEM	QTY	PART NUMBER	DESCRIPTION	ITEM	QTY	PART NUMBER	DESCRIPTION
1	2	034-1050-00	Transaxle Spring (050-6000-00 & 050-6001-00)	7	1	022-3011-00	12x7" Black Wheel
2	10	050-2012-00	Transaxle Wheel Studs (QTY 8 for 050-2065-00 & 050-2066-00)	8	1	022-4035-00	23x9-12 Reaper Turf Tire Only
3	2	050-2072-00	Fan/Pulley Kit (050-6000-00 & 050-6001-00)	069-6945-09 Parts List			
4	2	050-2077-00	5 Bolt Hub Kit (050-6000-00 & 050-6001-00)	ITEM	QTY	PART NUMBER	DESCRIPTION
5	2	063-1050-00	Transaxle filter	9	1	013-8050-00	1/2-13 NYLON INSERT FLANGE LOCKNUT ZINC
6	2	092-8000-00	Transaxle Brake Lever	10	1	018-6036-00	1/2" x 2 3/4" Hex Bolt
7	2	034-9080-00	Transaxle Spring (050-2065-00 & 050-2066-00)	11	1	033-6001-00	4 3/4 Idler Pulley - ABFI-76
8	2	050-2075-00	Fan/Pulley Kit (050-2065-00 & 050-2066-00)	12	1	039-6945-00	Deck Idler
9	2	050-2076-00	Transaxle Hub (050-2065-00 & 050-2066-00)	13	1	025-7036-00	1/2 x 1/2 Spacer
				022-4041-00 Parts List			
				ITEM	QTY	PART NUMBER	DESCRIPTION
				14	1	022-4042-00	36" Revolt Reaper Tire
				15	1	022-4043-00	36" Revolt Wheel



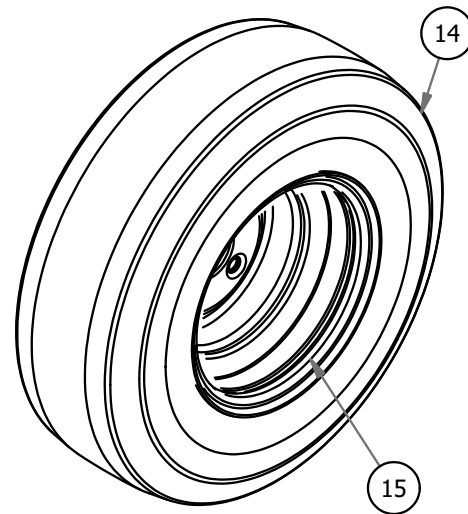
TRANSAXLE REPLACEMENT PARTS



**039-6945-09
2019 Stand On Idler Assembly**



**022-4040-00
23x9-12 Reaper Turf Tire & Wheel Assembly**

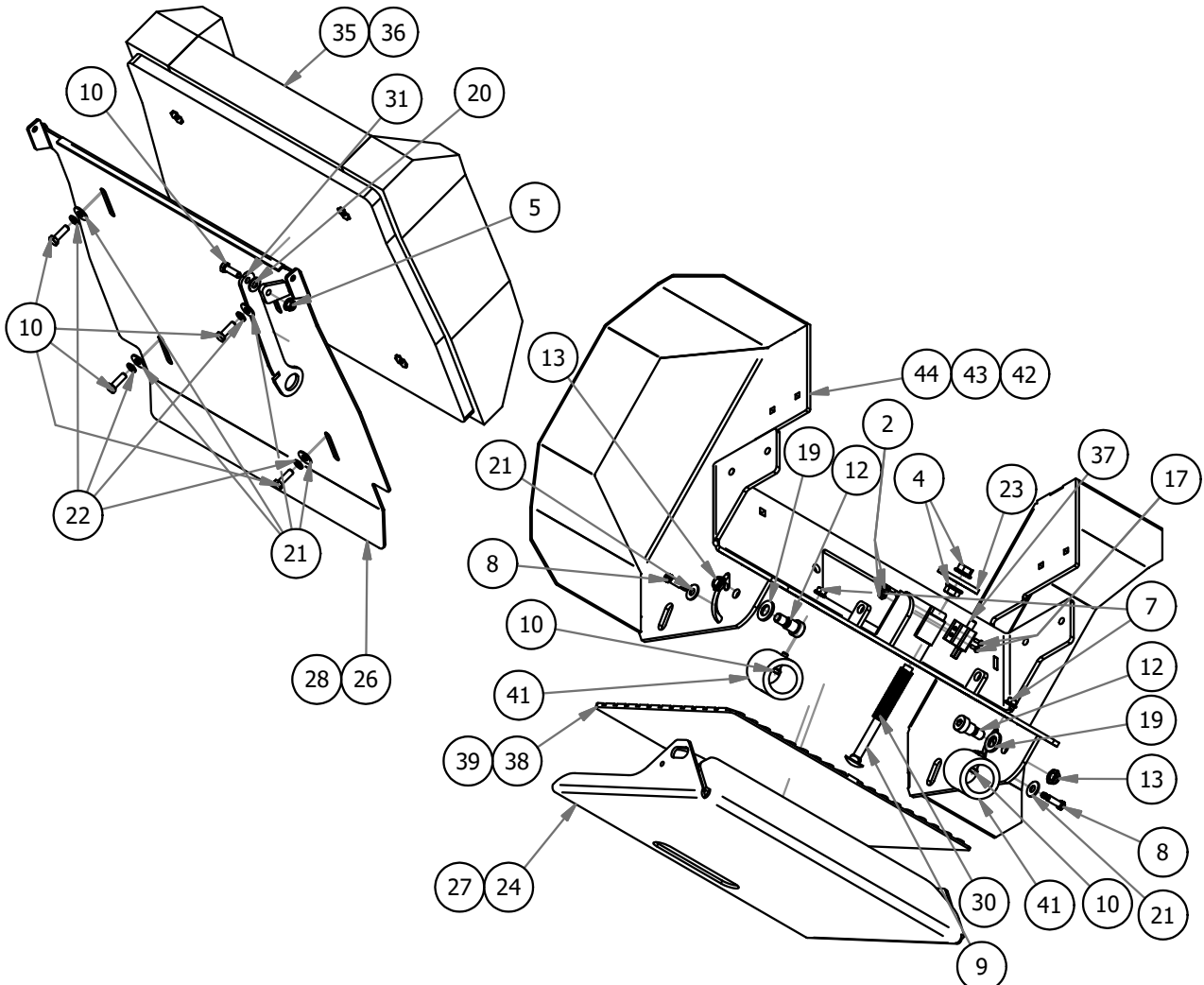


**022-4041-00
21/7x10 Reaper Tire-36 Revolt**



PARTS SECTION: REAR ASSEMBLY

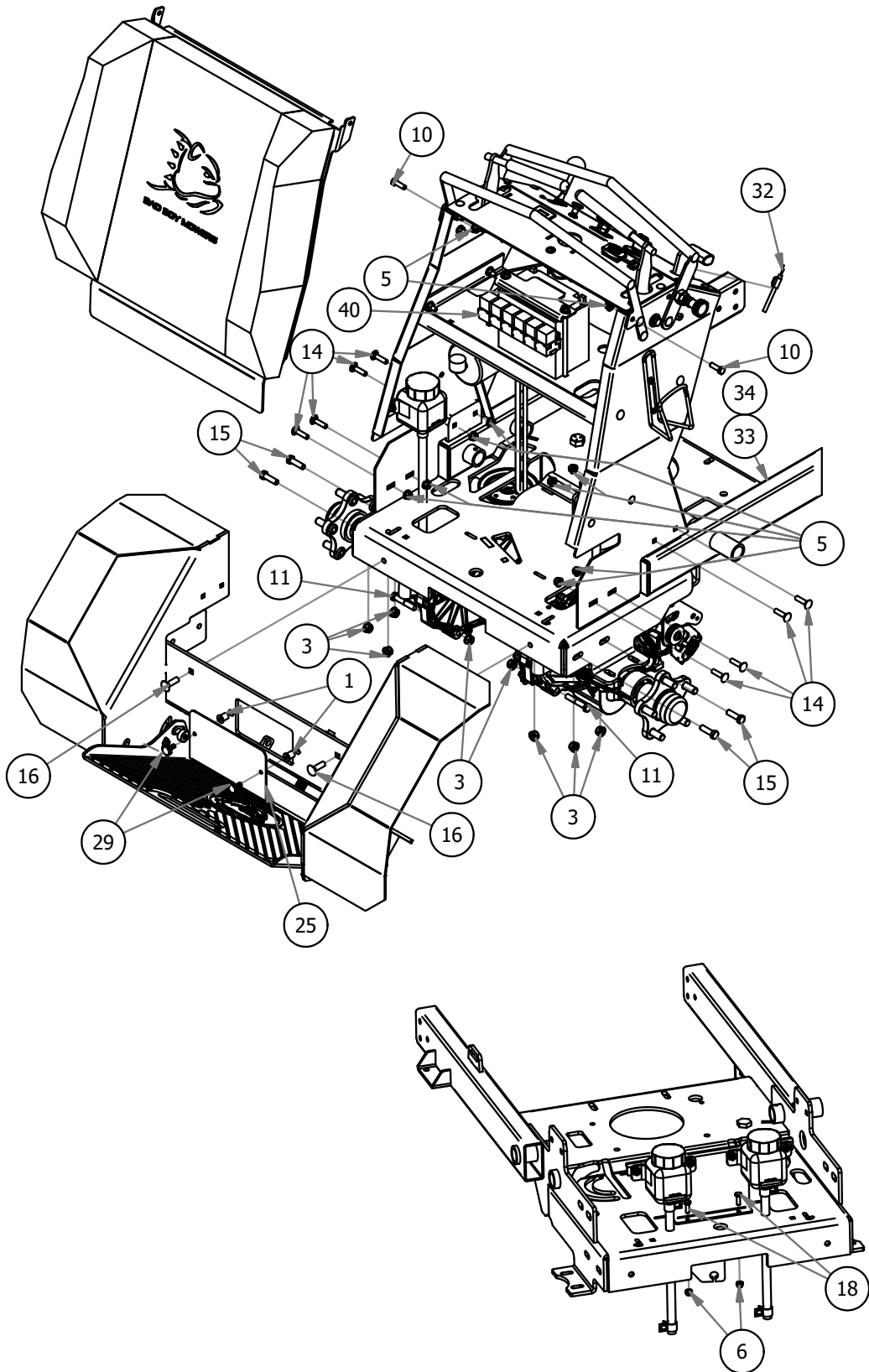
Parts List				Parts List			
ITEM	QTY	PART NUMBER	DESCRIPTION	ITEM	QTY	PART NUMBER	DESCRIPTION
1	2	013-0057-00	3326 Wellnut (1/4-20 x 5/18")	23	1	025-0025-00	MZ Deck Idler Spacer
2	2	013-5019-00	10-24 Nylon Insert Locknut Zin	24	1	026-0062-00	2019 Stand-On Platform
3	6	013-5202-00	3/8 Nylock Flange Nut	25	1	026-0063-00	2019 Stand On Access Panel
4	2	013-5300-00	1/2" Flange Nut	26	1	026-0096-00	2019 Stand On Pad Plate Weldment
5	10	013-8049-00	5/16-18 Nylon Flange Nut	27	1	026-0158-00	2020 36" Stand-On Platform Plate
6	2	013-8073-00	1/4-20 Nylon Insert Locknut Zi	28	1	026-0159-00	2020 36 Stand On Pad Plate Weldment
7	2	013-9002-00	5/16-18 Hex Flange Nuts Zinc w	29	2	030-0015-00	1/4"-20 x 3/4" Knurled Thumb Screw
8	2	018-0059-00	5/16" x 7/8" Socket Head Shoulder Bolt	30	1	034-1001-00	Rider Presence Spring 9657K145
9	1	018-0069-00	1/2-13 x 6 Carriage Bolt, Grade 2	31	1	039-0082-00	2019 Stand On Operator Pad Kickstand
10	7	018-2007-00	5/16-18 X 1 GR 5 Hex Bolt Zinc	32	1	055-8021-75	Outlaw Throttle Cable
11	2	018-3000-00	3/8"-16 x 2" Gr 5 Hex Bolt	33	1	070-5220-19	2019 Stand On Frame Weldment
12	2	018-3001-00	5/8" x 5/8" Shoulder Bolt	34	1	070-5221-20	2020 36 Stand On Frame Weldment
13	2	018-4010-00	1/2-13 NYLON INSERT JAM LOCKNUT ZINC	35	1	071-6004-00	2019 Stand-On Platform Pad
14	8	018-4703-00	5/16" x 1 1/4" Carriage Bolt	36	1	071-6006-00	2020 36" Stand-On Platform Pad
15	12	018-5040-00	3/8" x 1 1/4" Hex Bolt	37	1	077-0002-00	safety Switch
16	2	018-5043-00	3/8-16 X 1-1/4 Carriage Bolt	38	1	081-3001-00	2019 Stand On Mat
17	2	018-5200-00	10-24 X 5/8 BS C/S 18-8 SS	39	1	081-3002-00	2020 36 Stand On Mat
18	2	018-8052-00	1/4-20 X 3/4 GR 5 Hex Bolts	40	1	086-0091-00	2019 Revolt Wiring Harness
19	2	019-6017-00	.630 ID Plastic Washer	41	2	087-0003-00	GBR-647 Miner Elastomer
20	1	019-6042-00	.360 ID Plastic Washer	42	1	201-1118-20	Stand On Platform Support, 61 weldment
21	6	019-8044-00	5/16 USS FLAT WASHER (7/8 OD) ZINC	43	1	201-1119-20	2020 36" Stand On Platform Support weldment
22	4	019-8051-00	5/16 SPLIT LOCKWASHER ZINC	44	1	201-1120-19	2019 Stand On Platform Support weldment





BAD BOY MOWERS

PARTS SECTION: REAR ASSEMBLY CONTINUED

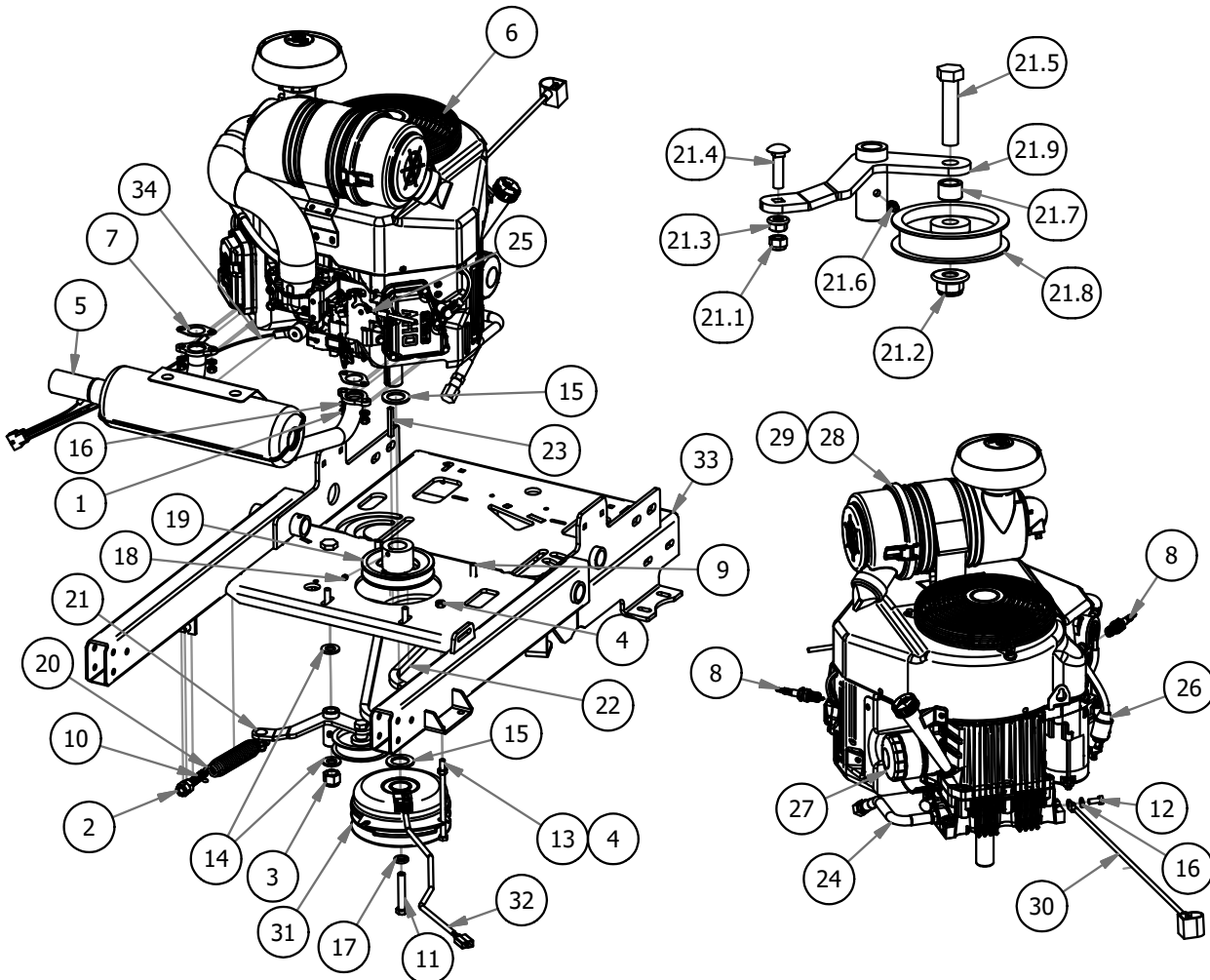




BAD BOY MOWERS

PARTS SECTION: ENGINE - KAWASAKI FX-691

Parts List				Parts List			
ITEM	QTY	PART NUMBER	DESCRIPTION	ITEM	QTY	PART NUMBER	DESCRIPTION
1	4	013-0075-00	M8-1.25 Zinc Nut	21.2	1	013-8050-00	1/2-13 Nylon Flange Nut
2	2	013-7018-00	1/2" Hex Nut	21.3	1	013-9002-00	5/16" Flange Nut
3	1	013-7021-00	5/8 Std NC Nylock Nut	21.4	1	018-4703-00	5/16" x 1 1/4" Carriage Bolt
4	2	013-8043-00	5/16" Nut	21.5	1	018-6037-00	1/2-13X 2-1/4 GR Hex Bolts
6	1	015-0691-00	FX-691	21.6	1	024-6034-00	1/4" Press in Grease Fitting
5	1	015-0692-00	Exhaust-Stand On-FX691V Kawasaki	21.7	1	025-7036-00	1/2 x 1/2 Spacer
7	2	015-2709-00	Exhaust Gasket	21.8	1	033-1876-00	3.25 Flat Idler Pulley
8	2	015-8001-00	Spark Plug - Kawasaki	21.9	1	039-6947-00	36 Pump Idler Arm Weldment
9	4	018-1075-00	3/8 x 1 1/8 bolt	22	1	041-8000-00	2019 Renegade Pump Belt
10	1	018-2004-50	All Thread-Pump Idler Tensioner	23	1	042-5020-00	1/4 x 2 Square key Stock
11	1	018-5300-00	7/16" x 2 1/2" Hex Bolt	24	1	051-5404-00	Oil drain Hose
12	1	018-5321-00	M8x1.20x20MM Hex head bolt	25	1	055-8021-75	Outlaw Throttle Cable
13	1	018-5350-00	5/16-18 x 5-1/2 GR 5 Hex Bolt	26	1	063-6000-00	Universal Inline Fuel Filter
14	2	019-6017-00	.630 ID Plastic Washer	27	1	063-8017-00	Kawasaki Oil Filter
15	2	019-6029-00	1 1/8" Flat Spacer	28	1	063-8019-00	Canister Air Filter- Outer
16	6	019-8051-00	5/16" Lock Washer	29	1	063-8020-00	Canister Air Filter- Inner
17	1	019-8053-00	7/16" Lock Washer	30	1	064-0030-00	24" Black Ground Cable
18	1	030-0050-00	5/16 Set Screw	31	1	070-1000-00	Clutch Assembly
19	1	033-5035-00	4 3/4 Motor Pulley	32	1	070-2000-00	Clutch Pigtail
20	1	034-2020-00	Deck Idler Spring	33	1	070-5221-20	2020 36 Stand On Frame Weldment
21	1	039-6947-20	2020 36" Stand-On Drive Belt Pulley Assembly	34	1	086-9002-00	Harness Adaptor
21.1	1	013-8047-00	5/16-18 Nylock Insert Locknut				

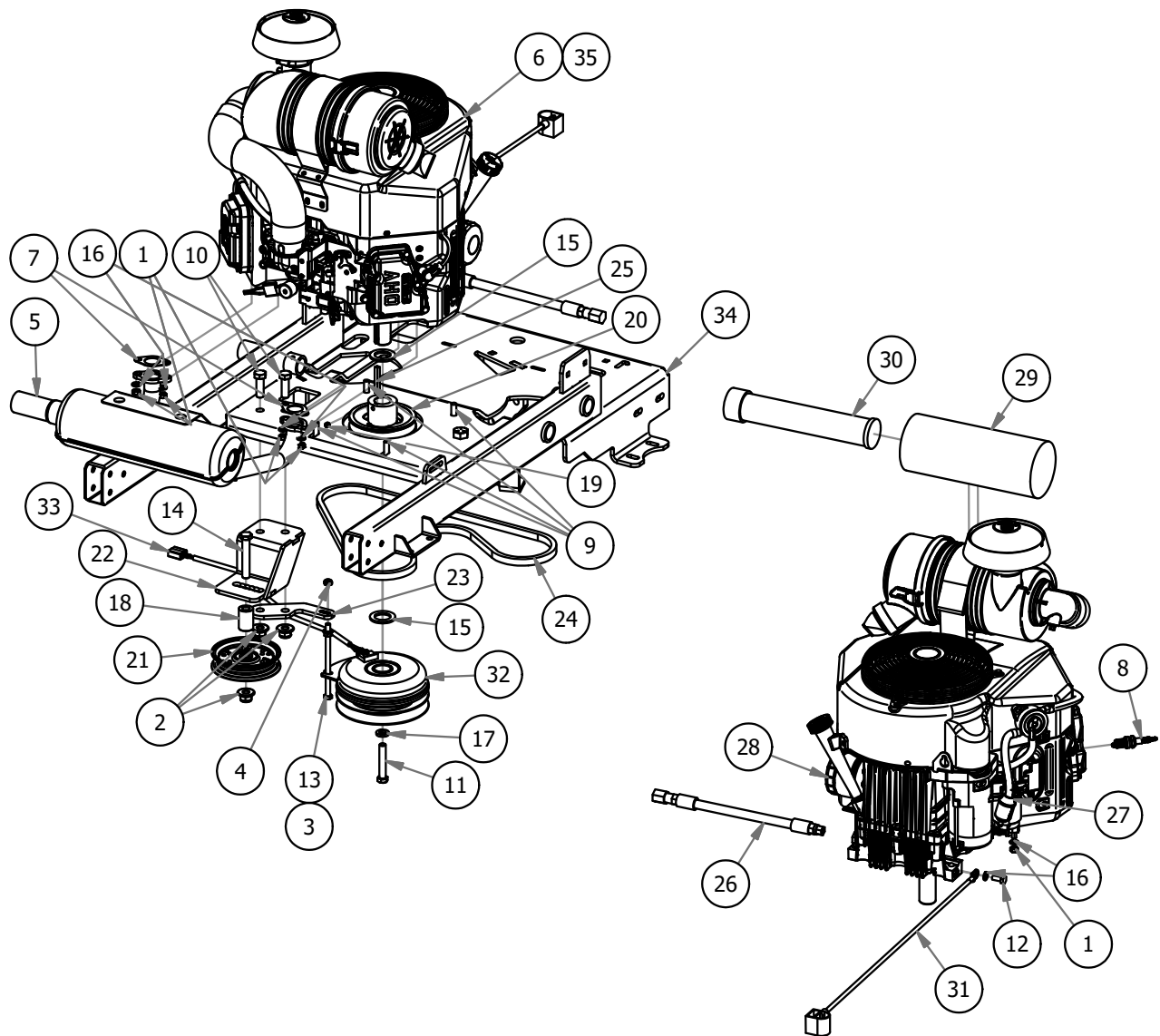




BAD BOY MOWERS

PARTS SECTION: ENGINE - KAWASAKI FX-730

Parts List				Parts List			
ITEM	QTY	PART NUMBER	DESCRIPTION	ITEM	QTY	PART NUMBER	DESCRIPTION
1	5	013-0075-00	M8-1.25 Zinc Nut	19	1	030-0050-00	5/16 Set Screw
2	3	013-8050-00	1/2-13 NYLON INSERT FLANGE LOCKNUT ZINC	20	1	033-5035-00	4 3/4 Motor Pulley
3	1	013-9002-00	5/16" Flange Nut	21	1	033-6001-00	4 3/4 Idler Pulley - ABFI-76
4	1	013-9005-00	5/16-18 Nylock Jam Nut 1/2 Nut	22	1	039-0089-00	Idler Pulley Bracket Weldment
5	1	015-0692-00	Exhaust-Stand On-FX691V Kawasaki	23	1	039-0119-00	2019 Stand On Clutch Stop Bracket
6	1	015-0730-00	FX-730V	24	1	041-8052-00	2019 Stand On Pump Belt (Timken# 47-2827)
7	2	015-2709-00	Exhaust Gasket	25	1	042-5020-00	1/4 x 2 Square key Stock
8	2	015-8001-00	Spark Plug - Kawasaki	26	1	051-5407-00	Kawasaki Oil Drain
9	4	018-1075-00	3/8 x 1 1/8 bolt	27	1	063-6000-00	Universal Inline Fuel Filter
10	2	018-5006-00	1/2" x 1 1/2" Hex Bolt	28	1	063-8017-00	Oil Filter
11	1	018-5300-00	7/16" x 2 1/2" Hex Bolt	29	1	063-8019-00	Canister Air Filter- Outer
12	1	018-5321-00	M8x1.20x20MM Hex head bolt	30	1	063-8020-00	Canister Air Filter- Inner
13	1	018-5350-00	5/16-18 x 5-1/2 GR 5 Hex Bolt	31	1	064-0030-00	24" Black Ground Cable
14	1	018-7016-00	1/2-13 x GR 5 Hex Bolt Zinc	32	1	070-1000-00	Clutch Assembly
15	2	019-6029-00	1 1/8" Flat Spacer	33	1	070-2000-00	Clutch Pigtail
16	6	019-8051-00	5/16 SPLIT LOCKWASHER ZINC	34	1	070-5220-19	2019 Stand On Frame Weldment
17	1	019-8053-00	7/16" Lock Washer	35	1	086-9002-19	Kawasaki Harness Adapter
18	1	025-5338-00	.502 ID X .750 OD X 1.500 Long Spacer				

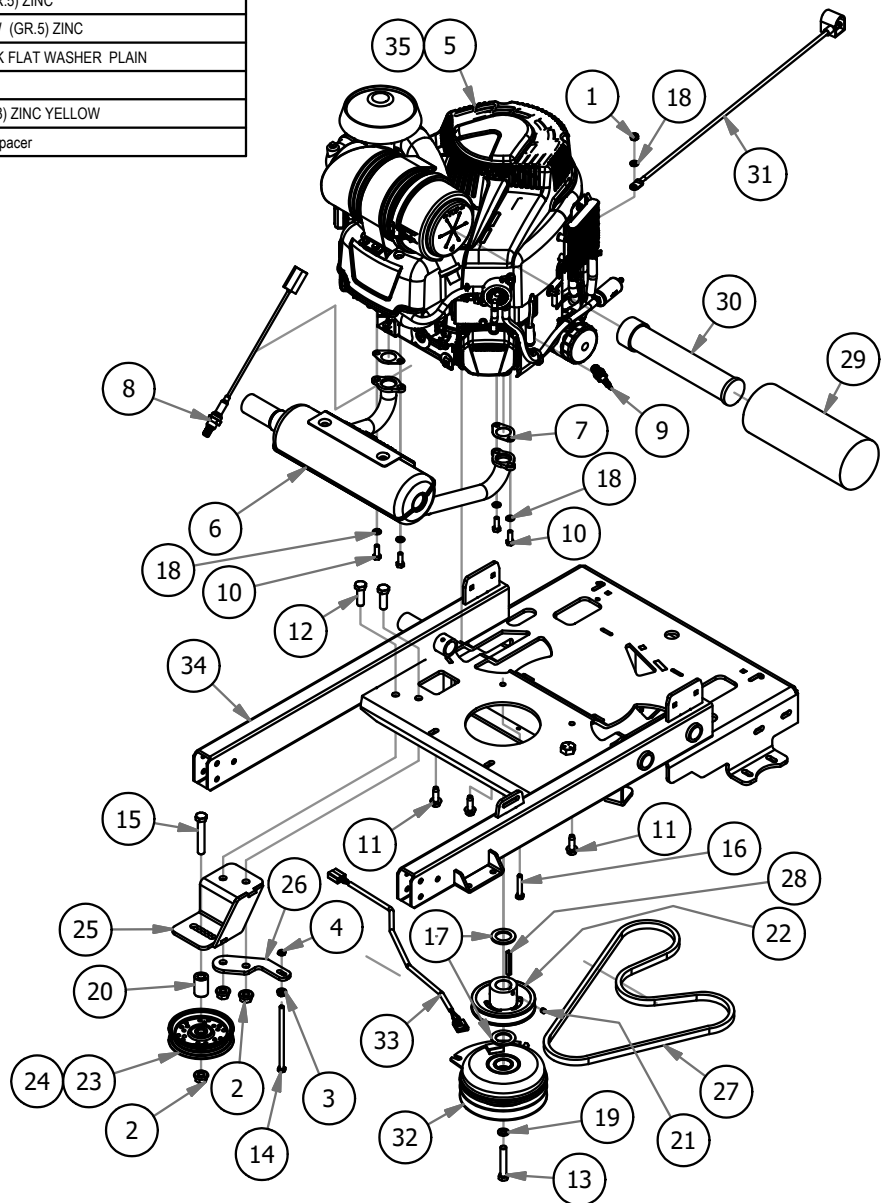




BAD BOY MOWERS

PARTS SECTION: ENGINE - BRIGGS 28HP VANGUARD

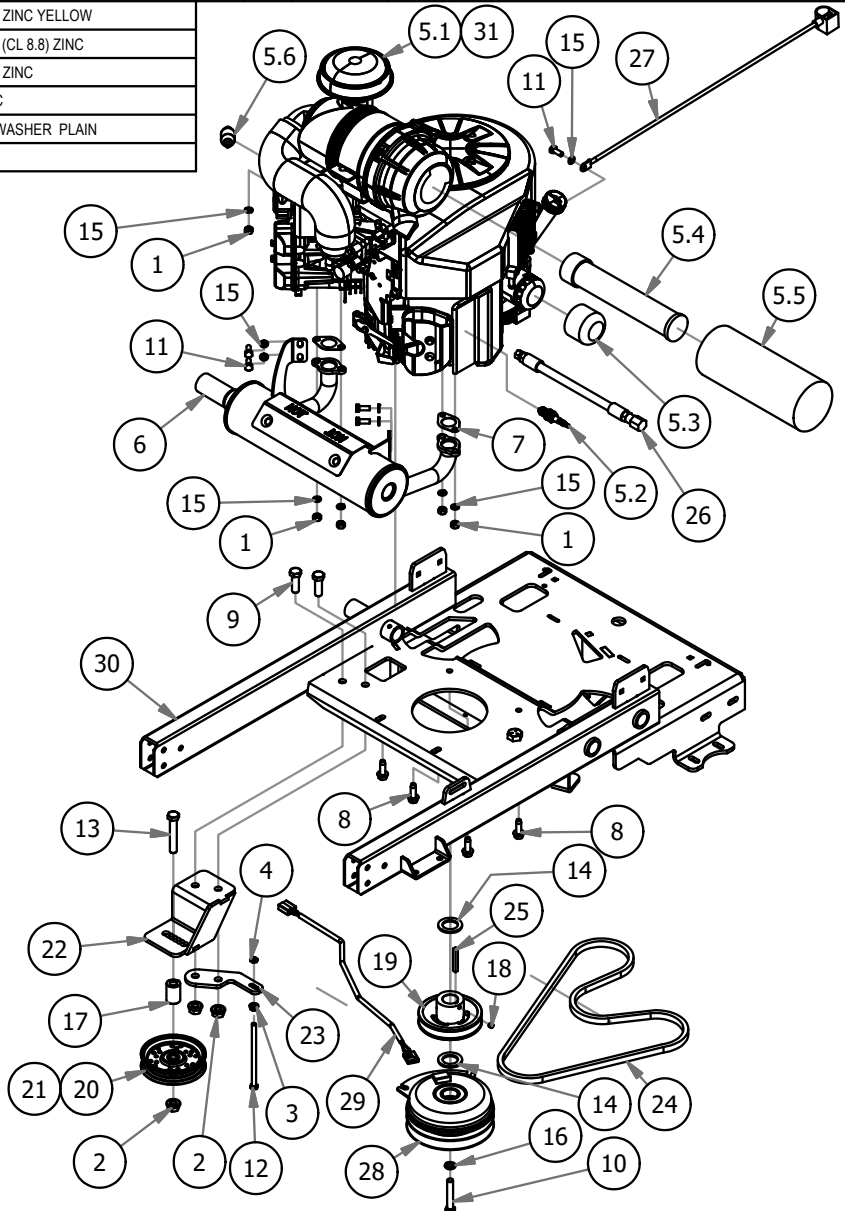
Parts List				Parts List			
ITEM	QTY	PART NUMBER	DESCRIPTION	ITEM	QTY	PART NUMBER	DESCRIPTION
1	1	013-8043-00	5/16-18 HEX NUT ZINC	21	1	030-0050-00	5/16-24 X 1/4 SOCKET SET SCREW (CUP PT) PLAIN
2	3	013-8050-00	1/2-13 NYLON INSERT FLANGE LOCKNUT ZINC	22	1	033-5035-00	4 3/4 Motor Pulley
3	1	013-9002-00	5/16-18 HEX SERRATED FLANGE NUT HARD/ZINC	23	1	033-6001-00	4 3/4 Idler Pulley - ABFI-76 (54" Deck Only)
4	1	013-9005-00	5/16-18 NYLON INSERT JAM LOCKNUT ZINC	24	1	033-7201-00	5 3/4 Idler Pulley-Don Dye (61" Deck Only)
5	1	015-0092-00	28HP Briggs Vanguard 810cc	25	1	039-0089-00	Idler Pulley Bracket Weldment
6	1	015-1021-00	Briggs 28 EFI Exhaust Revolt	26	1	039-0119-00	2019 Stand On Clutch Stop Bracket
7	2	015-2709-00	Exhaust Gasket	27	1	041-8052-00	2019 Stand On Pump Belt (Timken# 47-2827)
8	1	015-4100-00	O2 Sensor for 824EFI Kohler	28	1	042-5020-00	1/4 X 2 SQ MACHINERY KEY 1018 STL PLAIN
9	2	015-8000-00	Spark Plug	29	1	063-8019-00	Canister Air Filter- Outer
10	4	018-0017-00	Torx Bolt-Exhaust	30	1	063-8020-00	Canister Air Filter- Inner
11	3	018-1075-00	3/8-16 X 1-1/8 HEX WASHER UNSLOT SERRATED (TRI-LOB) TRS ZINC YELLOW	31	1	064-0030-00	24" Black Ground Cable
12	2	018-5006-00	1/2-13 X 1-1/2 HEX CAP SCREW (GR.5) ZINC	32	1	070-1000-00	Clutch Assembly
13	1	018-5300-00	7/16-20 X 2-1/2 HEX CAP SCREW (GR.8) ZINC YELLOW	33	1	070-2000-00	Clutch Pigtail
14	1	018-5350-00	5/16-18 X 5-1/2 HEX CAP SCREW (GR.5) ZINC	34	1	070-5220-19	2019 Stand On Frame Weldment
15	1	018-7016-00	1/2-13 X 3 HEX CAP SCREW (GR.5) ZINC	35	1	086-9015-00	2020 28 Briggs EFI Pigtail
16	1	018-8059-00	5/16-18 X 1-3/4 HEX CAP SCREW (GR.5) ZINC				
17	2	019-6029-00	1.140 ID X 1.750 OD X .132 THICK FLAT WASHER PLAIN				
18	5	019-8051-00	5/16 SPLIT LOCKWASHER ZINC				
19	1	019-8053-00	7/16 SPLIT LOCKWASHER (GR.8) ZINC YELLOW				
20	1	025-5338-00	.502 ID X .750 OD X 1.500 Long Spacer				





PARTS SECTION: ENGINE - KAWASAKI FX-850

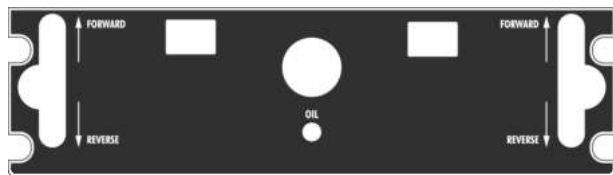
Parts List				Parts List			
ITEM	QTY	PART NUMBER	DESCRIPTION	ITEM	QTY	PART NUMBER	DESCRIPTION
1	5	013-0075-00	M8-1.25 DIN 934 HEX NUT (CL.8) ZINC	16	1	019-8053-00	7/16 SPLIT LOCKWASHER (GR.8) ZINC YELLOW
2	3	013-8050-00	1/2-13 NYLON INSERT FLANGE LOCKNUT ZINC	17	1	025-5338-00	.502 ID X .750 OD X 1.500 Long Spacer
3	1	013-9002-00	5/16-18 HEX SERRATED FLANGE NUT HARD/ZINC	18	1	030-0050-00	5/16-24 X 1/4 SOCKET SET SCREW (CUP PT) PLAIN
4	1	013-9005-00	5/16-18 NYLON INSERT JAM LOCKNUT ZINC	19	1	033-5035-00	4 3/4 Motor Pulley
5	1	015-0031-00	Kawasaki FX850 Engine	20	1	033-6001-00	4 3/4 Idler Pulley - ABFI-76 (54" Deck Only)
5.1	1	015-0031-00	Kawasaki Engine FX-850-V-CS09R	21	1	033-7201-00	5 3/4 Idler Pulley-Don Dye (61" Deck Only)
5.2	2	015-8001-00	Spark Plug - Kawasaki	22	1	039-0089-00	Idler Pulley Bracket Weldment
5.6	1	063-6000-00	Universal Inline Fuel Filter	23	1	039-0119-00	2019 Stand On Clutch Stop Bracket
5.3	1	063-8017-00	Oil Filter	24	1	041-8052-00	2019 Stand On Pump Belt (Timken# 47-2827)
5.5	1	063-8019-00	Canister Air Filter- Outer	25	1	042-5020-00	1/4 X 2 SQ MACHINERY KEY 1018 STL PLAIN
5.4	1	063-8020-00	Canister Air Filter- Inner	26	1	051-5407-00	Kawasaki Oil Drain
6	1	015-1022-00	Revolt Kawasaki FX850 Exhaust	27	1	064-0030-00	24" Black Ground Cable
7	2	015-2709-00	Exhaust Gasket	28	1	070-1000-00	Clutch Assembly
8	4	018-1075-00	3/8-16 X 1-1/8 HEX WASHER UNSLOT SERRATED (TRI-LOB) TRS ZINC YELLOW	29	1	070-2000-00	Clutch Pigtail
9	2	018-5006-00	1/2-13 X 1-1/2 HEX CAP SCREW (GR.5) ZINC	30	1	070-5220-19	2019 Stand On Frame Weldment
10	1	018-5300-00	7/16-20 X 2-1/2 HEX CAP SCREW (GR.8) ZINC YELLOW	31	1	086-9002-19	Kawasaki Harness Adapter
11	5	018-5321-00	M8-1.25 X 20MM DIN 933 HEX TAP BOLT (CL.8.8) ZINC				
12	1	018-5350-00	5/16-18 X 5-1/2 HEX CAP SCREW (GR.5) ZINC				
13	1	018-7016-00	1/2-13 X 3 HEX CAP SCREW (GR.5) ZINC				
14	2	019-6029-00	1.140 ID X 1.750 OD X .132 THICK FLAT WASHER PLAIN				
15	10	019-8051-00	5/16 SPLIT LOCKWASHER ZINC				





BAD BOY MOWERS

PARTS SECTION: DECALS



091-4017-00
LOWER CONTROL PANEL DECAL



091-4018-00
UPPER CONTROL PANEL DECAL

POWERED BY

Kawasaki

091-4003-00
POWERED BY KAWASAKI DECAL

BAD BOY REVOLT

091-4031-00
DECAL

POWERED BY

VANGUARD

COMMERCIAL POWER

091-4002-00
POWERED BY VANGUARD DECAL



091-4020-00
DECK HEIGHT DECAL



091-8001-00
DECK IMPACT PATENT DECAL



091-1020-00
HYDRAULIC CAUTION DECAL



091-3012-00
DANGER DECAL

DANGER	• STOP BLADE & BACK SLOWLY IF MACHINE STOPS GOING UPHILL • NEVER MOW NEAR PEOPLE • NEVER USE WHEN UNDER THE INFLUENCE OF DRUGS OR ALCOHOL • NEVER CARRY PASSENGERS • SET PARKING BRAKE & REMOVE KEY IF LEAVING MACHINE • AVOID SLIPPERY OR STEEP AREAS • AVOID BLADE UNLESS BLADE & ENGINE ARE STOPPED • USE SAFELY, MACHINE IS NOT A TOY • KNOW LOCATION AND FUNCTION OF CONTROLS • REMOVE POTENTIAL THROWN OBJECTS • KEEP SAFETY DEVICES IN PLACE AND WORKING • LOOK BEHIND MACHINE BEFORE BACKING	NEVER MOW SIDE HILL OVER 5°	NEVER MOW OVER 10°	NEVER MOW OVER 15°	CAUTION
	• READ OWNER'S MANUAL •				

Shut off engine before refueling.
Never fill fuel tank indoors or when engine is hot.
Wipe up all spilled gasoline before starting engine.
Do not smoke while refueling.

091-3150-00
WARNING DECAL



BAD BOY MOWERS

PARTS SECTION: DECALS CONTINUED



091-4057-00
36" LOWER CONTROL PANEL DECAL



091-4056-00
36" UPPER CONTROL PANEL DECAL



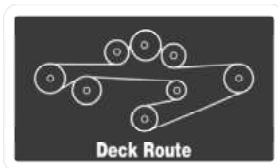
091-4054-00
852cc DECAL



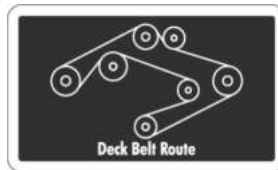
091-4053-00
810cc DECAL



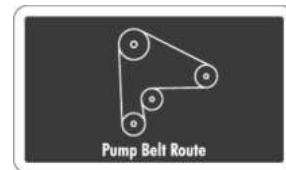
091-4021-00
726cc DECAL



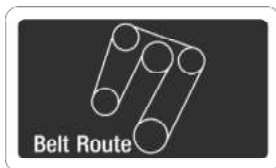
091-4052-00
61" REVOLT DECK BELT ROUTE DECAL



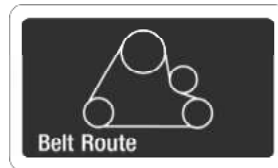
091-4019-00
DECK BELT ROUTE DECAL



091-4022-00
PUMP BELT ROUTE DECAL



091-4058-00
36" REVOLT DECK BELT ROUTE DECAL



091-4059-00
36" REVOLT PUMP BELT ROUTE DECAL



091-3601-18
36" DECK DECAL



091-0903-18
48" DECK DECAL



091-0904-18
54" DECK DECAL



091-0917-18
61" DECK DECAL



BAD BOY MOWERS

2020 LIMITED WARRANTY

FOR

BAD BOY COMMERCIAL MOWER

(WALK-BEHIND, COMPACT OUTLAW, REVOLT, REBEL, ROGUE, and RENEGADE)

1. WHAT THIS WARRANTY COVERS, AND FOR HOW LONG:

Bad Boy, Inc. will, at its option, repair or replace, without charge, any part covered by the warranty which is found to be defective in material and/or workmanship for two (2) years * after the date of sale to the original retail purchaser unless the product is used for rental purposes, in which case this warranty is limited to ninety (90) days.

The leading edge of the deck shell will be warranted for the entire lifetime of the machine to the original purchaser against defects in materials and workmanship. Labor required to repair or replace the leading edge of the deck shell will be covered by Bad Boy Inc. for two years and at the unit owner's expense during the balance of the lifetime of the machine.

Belts are warranted for a period of ninety (90) days against materials or workmanship defects.

Seats are warranted for a period of (1) year against material or workmanship defects.

At Bad Boy, Inc.'s request, customer will make the defective part available for inspection by Bad Boy, Inc. and/or return the defective part to Bad Boy, Inc., transportation charges prepaid.

2. WHAT THIS WARRANTY DOES NOT COVER:

A. This warranty does not cover defects caused by depreciation or damage caused by normal wear, accidents, improper maintenance, improper use or abuse of the product, alterations, or failure to follow the instruction contained in the Owner's Manual for operation and maintenance.

B. The customer shall pay any charges for making service calls and/or for transporting the mower to and from the place where the inspection and/or warranty work is performed.

Bad Boy Inc will not be responsible for the pickup and delivery of a machine for warranty purposes.

C. Engines are warranted separately by their respective manufacturer. The available warranties covering this item are furnished with each mower. Bad Boy, Inc does not assume any warranty obligation, liability or modification for this item, which is covered exclusively by the stated warranty of the respective manufacturers.

D. Tires, blades, deck anti-scalping wheels, and dust covers are considered to be consumable wear items and are therefore not warranted.

E. Batteries are warranted for six months (free replacement) from the retail purchase date against materials or workmanship defects. The battery warranty must be obtained through the battery manufacturer.

F. Normal maintenance services such as oil change, cleaning, lubrication, adjustment.

G. Replacement of services, items, such as oil, lubricants, spark plugs, belts, rubber hoses or other items subject to normal service replacement.

3. HOW TO OBTAIN SERVICE UNDER THIS WARRANTY:

A. Warranty service can be arranged by contacting the dealer where you purchased the mower. Proof of the date of purchase may be required to verify warranty coverage. Warranty repairs must be completed by an authorized Bad Boy center.

B. Warranty claims will not be reviewed or paid unless the warranty registration is received by Bad Boy, Inc. within 30 days of the retail purchase date.

C. Warranty claims requiring parts returned will be settled upon return of parts to Bad Boy for inspection.

D. All warranty issues must be handled through an authorized service center or dealership.

4. WARRANTY LIMITATION:

A. **THERE IS NO OTHER EXPRESS WARRANTY. ANY WARRANTY THAT MAY BE IMPLIED FROM THIS PURCHASE INCLUDING MERCHANTABILITY AND FITNESS FOR A PARTICULAR PURPOSE IS HEREBY LIMITED TO THE DURATION OF THIS WARRANTY AND TO THE EXTENT PERMITTED BY LAW ANY AND ALL IMPLIED WARRANTIES ARE EXCLUDED.** Some states do not allow limitations on how long an implied warranty lasts, so the above limitations may not apply to you.

B. **BAD BOY, INC. WILL NOT BE LIABLE FOR ANY INCIDENTAL, CONSEQUENTIAL, OR SPECIAL DAMAGES AND/OR EXPENSES IN CONNECTION WITH THE PURCHASE OR USE OF THE MOWER.** Some states do not allow the exclusion or limitation of incidental or consequential damages, so the above limitation(s) or exclusion(s) may not apply to you.

C. Only the warranty expressed in this limited warranty shall apply and no dealer, distributor, or individual is authorized to amend, modify, or extend this warranty in any way. Accordingly, additional statements such as dealer advertising or presentations, whether oral or written, do not constitute warranties by Bad boy, Inc., and should not be relied on.

D. This warranty extends only to turf equipment operated under normal conditions and properly serviced and maintained. The warranty expressly does not cover (i) any defects, damage or deterioration due to normal use, wear and tear, or exposure; (ii) normal maintenance services such as oil change, cleaning, lubrication, adjustment; (iii) replacement of services, items, such as oil, lubricants, spark plugs, belts, rubber hoses or other items subject to normal service replacement; (iv) damage or defects arising out of or relating to misuse, neglect, alteration, negligence or accident; (v) repair or replacement arising from operation of or use of the turf equipment which is not in accordance with operating instructions as specified in the operator's manual or other operational instructions provided by Bad Boy Inc.; (vi) repair or replacement arising as a result of any operation from turf equipment that has been altered or modified so as to, indetermination of Bad Boy, Inc., adversely affect the operation, performance or durability of the equipment or that has altered, modified or affected the turf equipment so as to change the intended use of the product; (vii) repair or replacement necessitated by use of parts, accessories or supplies, including gasoline, oil or lubricants, incompatible with the turf equipment or other than as recommended in the operator's manual or other operational instructions provided by Bad Boy, Inc.; (viii) repairs or replacements resulting from parts or accessories which have adversely affected the operation, performance or durability of the turf equipment; or (ix) damage or defects due to or arising out of repair of turf equipment by person or persons other than an authorized Bad Boy, Inc., service dealer or the installation of parts other than genuine Bad Boy, Inc., recommended parts.

As a condition to this warranty, customer shall have read the operator's manual and ensured the mower has been registered within 30 days of purchase.

E. This warranty gives you specific legal rights, and you may also have other rights, which vary from state to state.



BAD BOY, INC.
102 INDUSTRIAL DRIVE
BATESVILLE, AR 72501
WWW.BADBOYMOWERS.COM

Technical Support: techsupport@badboymowers.com
Warranty: warranty@badboymowers.com
Parts: partsdept@badboymowers.com

WARRANTY REGISTRATION

**Ensure selling dealership has registered mower within
30 days of purchase to validate warranty.**

Please record your serial number, date of purchase and dealership information
for your records.

Serial # _____

Date of Purchase _____

Dealer Information _____



**BAD BOY
MOWERS**

www.badboymowers.com

Bad Boy, Inc.

102 Industrial Drive

Batesville, Arkansas 72501