



**BAD
BOY**

**MODEL NO. / N.º MODELO
WL80BACDC**

EN

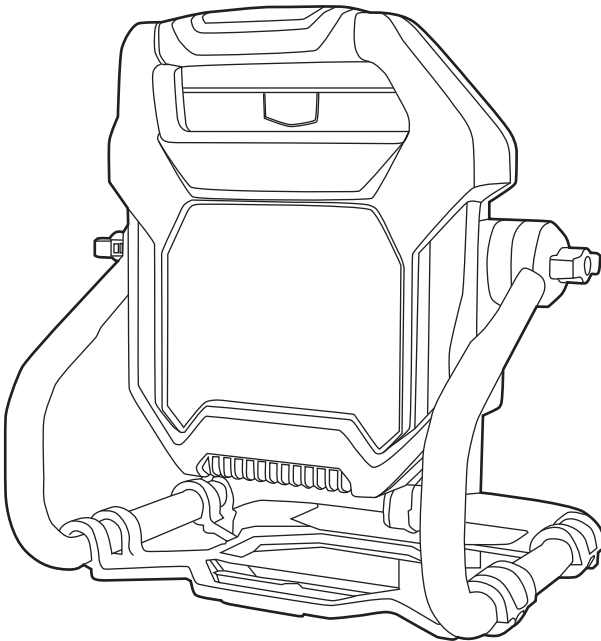
WORK LIGHT

OPERATOR MANUAL

ES

LUZ DE TRABAJO

MANUAL DEL OPERADOR



**PART NO. / N.º PIEZA
088-7663-00**

Badboycountry.com

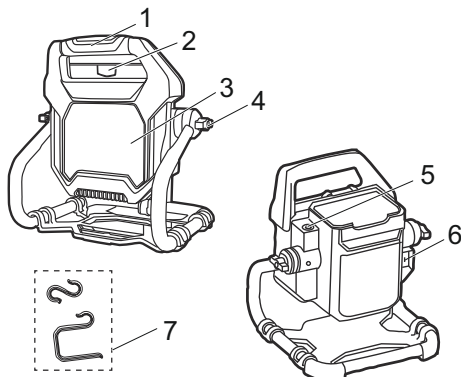
1	Description.....	2	12	Installation.....	5
1.1	Purpose.....	2	12.1	Unpack the product.....	5
1.2	Overview.....	2	12.2	Swivel the light head.....	5
2	Important safety		12.3	Install the battery pack.....	5
	instructions.....	2	12.4	Connect to the power source.....	6
3	Electrical safety.....	2	12.5	Remove the battery pack.....	6
4	Extension cords.....	2	13	Operation.....	6
5	Product use and care.....	3	13.1	Start the machine.....	6
6	Battery tool use and care.....	3	14	Maintenance.....	6
7	FCC Requirement.....	3	14.1	Clean the machine.....	6
8	Symbols on the product.....	4	15	Technical data.....	6
9	Risk levels.....	4	16	Limited warranty.....	7
10	Proposition 65.....	4	17	Exploded view.....	7
11	Environmentally safe				
	battery disposal.....	4			

1 DESCRIPTION

1.1 PURPOSE

The machine is used to illuminate the work area.

1.2 OVERVIEW



- 1 Auxiliary handle
- 2 Battery release button
- 3 Lens
- 4 Knob

- 5 ON/OFF switch (HIGH/ LOW/OFF)
- 6 AC receptacle
- 7 Hooks

2 IMPORTANT SAFETY INSTRUCTIONS

▲ WARNING

Read all safety warnings and all instructions.
Failure to follow the warnings and instructions may result in electric shock, fire and/or serious injury.

Save all warnings and instructions for future reference.

The term "product" in the warnings refers to your mains-operated (corded) product or battery-operated (cordless) product.

When using the product, additional precautions should always be followed, including the following:

- Store the product in a dry area that will prevent unauthorized use or damage. Keep out of the reach of children.
- Keep handles dry, clean, and free of debris. Clean the product after each use.
- The product is not intended for use by persons (including children) with reduced physical, sensory or mental capabilities, or lack of experience and knowledge, unless they have been given supervision or instruction concerning use of the

product by a person responsible for their safety. Children should be supervised to ensure that they do not play with the product.

- Have servicing performed by a qualified repair person using only identical replacement parts. This will ensure that the safety of the product is maintained.
- To reduce the risk of electrical shock, do not put the cord or battery in water or other liquids. Do not place or store the product where it can fall or be pulled into a tub or sink.
- All metal parts are free from burrs or sharp edges which could damage conductor insulation.
- To reduce the risk of injury, close supervision is necessary when a product is used near children.
- The lens gets very hot during use. To reduce the risk of burns, do not contact hot parts.
- Do not modify or attempt to repair the product or the battery pack (as applicable) except as indicated in the instructions for use and care.

3 ELECTRICAL SAFETY

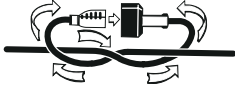
- To disconnect, turn all controls off, then remove the plug from the outlet.
- Unplug from the outlet when not in use and before servicing or cleaning.
- Do not operate any product with a damaged cord or plug, or after the product malfunctions or is dropped or damaged in any manner. Return the product to the nearest authorized service facility for examination, repair, or electrical or mechanical adjustment.
- Don't Abuse Cord – Never carry the product by the cord or yank it to disconnect from the receptacle. Keep the cord away from heat, oil, and sharp edges.
- Disconnect the product from the power supply when not in use, before servicing, when changing bulbs (lamp), cleaning, and similar actions.
- Do not insert foreign objects into this product.
- Be sure to use an extension cord that has the capacity to handle the current the work light will draw. An undersized cord will cause a drop in line voltage, resulting in overheating and loss of power. Use the chart to determine the minimum wire size required in an extension cord. Only round jacketed cords listed by Underwriter's Laboratories (UL) should be used.

4 EXTENSION CORDS

- Use only extension cords that have plugs and receptacles which accept the product's plug. Replace damaged extension cords.
- When working outdoors with the product, use an extension cord that is designed for outside use. This type of cord is designated with "W-A" or "W" on the cord's jacket. Before using any extension cord,

inspect it for loose or exposed wires and cut or worn insulation.

- Make sure your extension cord is in good condition. When using an extension cord, be sure to use one heavy enough to carry the current your product will draw. An undersized extension cord will cause a drop in line voltage resulting in loss of power and overheating. The following table shows the correct size to use depending on cord length and nameplate ampere rating. If in doubt, use the next heavier gauge. The smaller the gauge number, the heavier the cord.



Minimum Gauge for Extension Cords (AWG)					
(when using 120 V only)					
Amp Rating		Total Length of Cord in Feet (meters)			
More Than	Not More Than	25' (7.6 m)	50' (15 m)	100' (30 m)	150' (45m)
0	6	18	16	16	14
6	10	18	16	14	12
10	12	16	16	14	12
12	16	14	12	Not Recommended	

Keep the extension cord clear of the working area. Position the cord so that it will not get caught on lumber, tools, or other obstructions while you are working with the product. Failure to do so can result in serious personal injury.

This product has a polarized plug (one blade is wider than the other) as a feature to reduce the risk of electric shock. This plug will fit in a polarized outlet only one way. If the plug does not fit fully in the outlet, reverse the plug. If it still does not fit, contact a qualified electrician. Never use an extension cord unless the plug can be fully inserted. Do not alter the plug.

5 PRODUCT USE AND CARE

- If operating a product in a damp location is unavoidable, then the product should only be connected to a circuit that is protected by a ground-fault circuit-interrupter (GFCI). Use of a GFCI reduces the risk of electric shock.
- Keep out of reach of children.
- Avoid direct eye exposure. Do not direct the light beam at persons or animals and do not stare into

the light beam yourself (not even from a distance). The product can cause flash blindness.

6 BATTERY TOOL USE AND CARE

- Disconnect the battery pack from the product before making any adjustments, changing accessories, or storing power tools, etc.
- Recharge only with the battery charger specified by the manufacturer. A battery charger that is suitable for one type of battery pack may create a risk of fire when used with another battery pack.
- When battery pack is not in use, keep it away from other metal objects like paper clips, coins, keys, nails, screws, or other small metal objects, that can make a connection from one terminal to another. Shorting the battery terminals together may cause burns or a fire.
- Under abusive conditions, liquid may be ejected from the battery; avoid contact. If contact accidentally occurs, flush with water. If liquid contacts eyes, additionally seek medical help. Liquid ejected from the battery may cause irritation or burns.
- Do not use a battery pack or product that is damaged or modified. Damaged or modified batteries may exhibit unpredictable behavior resulting in fire, explosion or risk of injury.
- Do not expose a battery pack or product to fire or excessive temperature. Exposure to fire or temperature above 265°F (130°C) may cause an explosion.
- Follow all charging instructions and do not charge the battery pack or product outside of the temperature range specified in the instructions. Charging improperly or at temperatures outside of the specified range may damage the battery and increase the risk of fire.
- Recharge only with the battery charger specified by the manufacturer. A battery charger that is suitable for one type of battery pack may create a risk of fire when used with another battery pack.
- Use only with specifically designated battery packs. Use of any other battery packs may create a risk of injury and fire.

7 FCC REQUIREMENT

This device complies with Part 15 of the FCC Rules. Operation is subject to the following two conditions:

1. this device may not cause harmful interference, and
2. this device must accept any interference received, including interference that may cause undesired operation.

▲ WARNING







Any changes or modifications not expressly approved by the party responsible for compliance could void the user's authority to operate the equipment.

i NOTE

This equipment has been tested and found to comply with the limits for a Class B digital device, pursuant to Part 15 of the FCC Rules. These limits are designed to provide reasonable protection against harmful interference in a residential installation. This equipment generates, uses, and can radiate radio frequency energy, and if not installed and used in accordance with the instructions, may cause harmful interference to radio communications. However, there is no guarantee that interference will not occur in a particular installation. If this equipment does cause harmful interference to radio or television reception, which can be determined by turning the equipment off and on, the user is encouraged to try to correct the interference by one or more of the following measures:




- Reorient or relocate the receiving antenna.
- Increase the separation between the equipment and receiver.
- Connect the equipment into an outlet on a circuit different from that to which the receiver is connected.
- Consult the dealer or an experienced radio/TV technician for help.

8 SYMBOLS ON THE PRODUCT

Symbol	Explanation
	Alternating Current
	Direct current
	Safety alert
	Read and understand all instructions before operating the product, and follow all warnings and safety instructions.
	Do not expose the product to rain or moist conditions.
	For indoor use only

9 RISK LEVELS

The following signal words and meanings are intended to explain the levels of risk associated with this product.

SYM-BOL	SIGNAL	MEANING
	DANGER	Indicates an imminently hazardous situation, which, if not avoided, will result in death or serious injury.
	WARNING	Indicates a potentially hazardous situation, which, if not avoided, could result in death or serious injury.
	CAUTION	Indicates a potentially hazardous situation, which, if not avoided, may result in minor or moderate injury.
	CAUTION	(Without Safety Alert Symbol) Indicates a situation that may result in property damage.

10 PROPOSITION 65**▲ WARNING**

This product contains a chemical known to the state of California to cause cancer, birth defects or other reproductive harm. Some dust created by power sanding, sawing, grinding, drilling, and other construction activities contains chemicals known to cause cancer, birth defects or other reproductive harm. Some examples of these chemicals are:

- Lead from lead-based paints;
- Crystalline silica from bricks and cement and other masonry products;
- Arsenic and chromium from chemically treated lumber.

Your risk of exposure to these chemicals varies depending on how often you do this type of work. To reduce your exposure to these chemicals, work in a well-ventilated area, and work with approved safety equipment, such as dust masks that are specially designed to filter out microscopic particles.

Save these instructions.

11 ENVIRONMENTALLY SAFE BATTERY DISPOSAL

The toxic and corrosive materials below are in the batteries used in this machine: **Lithium-ion, a toxic material.**

▲ WARNING

Discard all toxic materials in a specified manner to prevent contamination of the environment. Before discarding damaged or worn-out Lithium-ion batteries, contact your local waste disposal agency, or the local Environmental Protection Agency for information and specific instructions. Take the batteries to a local recycling and/or disposal center, certified for Lithium-ion disposal.

▲ WARNING

If the battery pack cracks or breaks, with or without leaks, do not recharge it and do not use. Discard it and replace with a new battery pack. **DO NOT TRY TO REPAIR IT!** To prevent injury and risk of fire, explosion, or electric shock, and to avoid damage to the environment:

- Cover the terminals of the battery with heavy-duty adhesive tape.
- **DO NOT** try to remove or destroy any of the battery pack components.
- **DO NOT** try to open the battery pack.
- If a leak develops, the released electrolytes are corrosive and toxic. **DO NOT** get the solution in the eyes or on skin, and do not swallow it.
- **DO NOT** put these batteries in your regular household trash.
- **DO NOT** incinerate.
- **DO NOT** put them where they will become part of any waste landfill or municipal solid waste stream.
- Take them to a certified recycling or disposal center.

12 INSTALLATION

12.1 UNPACK THE PRODUCT

▲ WARNING

Make sure that you correctly assemble the product before use.

▲ WARNING

- If parts of the product are damaged, do not use the product.
- If parts are missing, do not operate the product.
- If parts are damaged or missing, contact the service center.

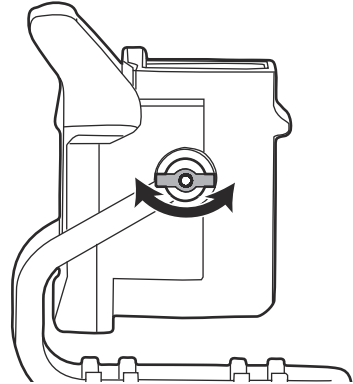
1. Open the package.
2. Read the documentation provided in the box.
3. Remove all the unassembled parts from the box.

4. Remove the product from the box.
5. Discard the box and packing material in compliance with local regulations.

▲ WARNING

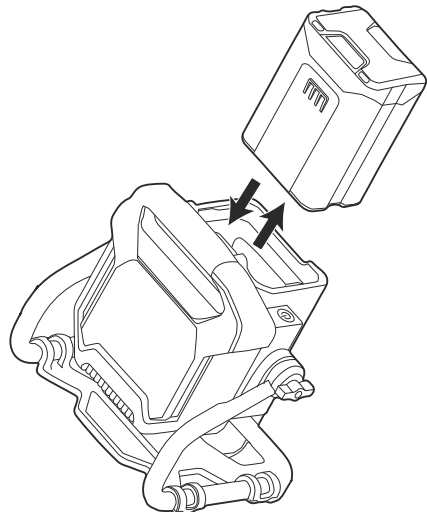
For your personal safety, do not insert battery before the product is assembled completely.

12.2 SWIVEL THE LIGHT HEAD



1. Hold the auxiliary handle and unlock the right and left knobs.
2. Turn the light head to the necessary position.
3. Tighten the knobs.

12.3 INSTALL THE BATTERY PACK



▲ WARNING

- If the battery pack or charger is damaged, replace the battery pack or the charger.
- Stop the machine and wait until the motor stops before you install or remove the battery pack.
- Read, know, and do the instructions in the battery and charger manual.

1. Align the lift ribs on the battery pack with the grooves in the battery compartment.
2. Push the battery pack into the battery compartment until the battery pack locks into place.
3. When you hear a click, the battery pack is installed.

12.4 CONNECT TO THE POWER SOURCE

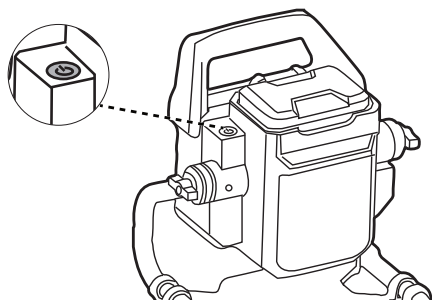
This product can be connected directly to a power outlet. Insert the power cord into the product's receptacle and connect the power cord to a compatible wall outlet, which will automatically provide continuous current to your product.

12.5 REMOVE THE BATTERY PACK

1. Push and hold the battery release button.
2. Remove the battery pack from the machine.

13 OPERATION**▲ WARNING**

Do not use any attachments or accessories not recommended by the manufacturer of this product.

13.1 START THE MACHINE

1. Install the battery pack or connect the power source.
2. Press the ON/OFF switch to turn the machine on. The machine will be turned on at maximum brightness.
3. To reduce the brightness, press the ON/OFF switch again.

4. Press the ON/OFF switch a third time to turn the work light OFF.

Low voltage operation

When the battery pack is less than 5%, the machine will flash three times with a brightness of 500 lumens.

▲ WARNING

- Do not continue to press the ON/OFF switch after the machine has automatically switched off. The battery can be damaged.

14 MAINTENANCE**▲ WARNING**

Remove the battery pack from the machine before maintenance.

▲ WARNING

Do not use strong solvents or detergents on the plastic housing or components.

14.1 CLEAN THE MACHINE**▲ CAUTION**

The machine must be dry. Humidity can cause risks of electrical shocks.

- Clear the unwanted material out of the air vent with a vacuum cleaner.
- Do not spray the air vent or put the air vent in solvents.
- Clean the housing and the plastic components with a moist and soft cloth.

15 TECHNICAL DATA

Dual power	80V or 120 Volts, 0.2 A, 20 W, 60 Hz AC
Lumens (max)	2500 lm
Weight (without battery and charger)	4.6 lbs (2.1 kg)
Battery model	BAT80V20A and other BAT 80V series
Charger model	CHA180VA4 and other CHA 80V series

The recommended ambient temperature range:

Item	Temperature
Product storage temperature range	32°F (0°C) - 113°F (45°C)
Product operation temperature range	32°F (0°C) - 113°F (45°C)
Battery charging temperature range	39°F (4°C) - 104°F (40°C)
Charger operation temperature range	39°F (4°C) - 104°F (40°C)
Battery storage temperature range	32°F (0°C) - 113°F (45°C)
Battery discharging temperature range	32°F (0°C) - 113°F (45°C)

16 LIMITED WARRANTY



BAD BOY hereby warrants this product, to the original purchaser with proof of purchase, for a period of four (4) years against defects in materials, parts or workmanship. BAD BOY, at its own discretion will repair or replace any and all parts found to be defective, through normal use, free of charge to the customer. This warranty is valid only for units which have been used for personal use that have not been hired or rented for industrial/commercial use, and that have been maintained in accordance with the instructions in the owners' manual supplied with the product from new.

ITEMS NOT COVERED BY WARRANTY:

1. Any part that has become inoperative due to misuse, commercial use, abuse, neglect, accident, improper maintenance, or alteration; or
2. The unit, if it has not been operated and/or maintained in accordance with the owner's manual; or
3. Normal wear;
4. Routine maintenance items such as lubricants, blade sharpening;
5. Normal deterioration of the exterior finish due to use or exposure.

HELPLINE:

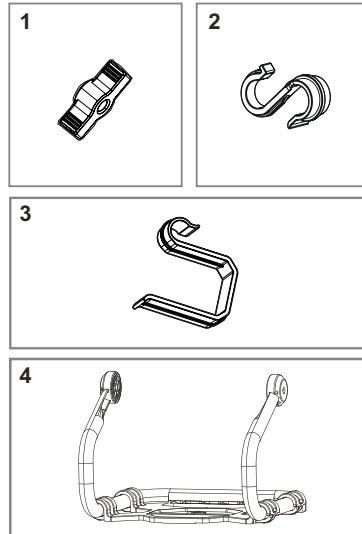
Warranty service is available by calling our toll-free helpline, at 888-227-9443.

TRANSPORTATION CHARGES:

Transportation charges for the movement of any power equipment unit or attachment are the responsibility of the purchaser. It is the purchaser's responsibility to pay transportation charges for any part submitted for replacement under this warranty unless such return is requested in writing by BAD BOY.

Company name: Bad Boy, Inc.
 Address: 102 Industrial Drive
 Batesville, Arkansas 72501

17 EXPLODED VIEW



No.	Item No.	QTY	Description
1.	R0201158-00	2	Knob
2.	R0201156-00	1	S Hook
3.	R0201157-00	1	Hook
4.	R0201155-00	1	Bracket

Badboycountry.com



P0805741-00 Rev B